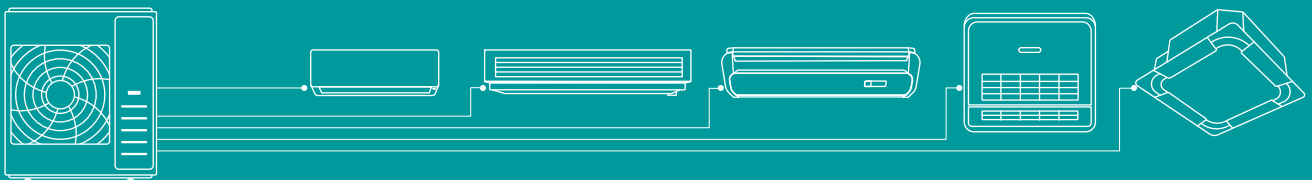


# HI-MULTI SOLUTION EEU

**CATALOG 2026**



# HI-MULTI

Hisense Multi is committed to providing customers with more reliable and more efficient products, and adheres to high-quality standards for products to different countries and regions around the world



# CONTENT

**04**

HI-MULTI  
SP SOLUTION

**08**

HI-SERVICE SOLUTION

**11**

CONDITIONS & CONVERSION

**18**

LINEUP

**34**

COMBINATION TABLE

**07**

4 REASONS TO  
CHOOSE HI-MULTI SP

**10**

ENERGY LABEL

**12**

MULTISPLIT · FREEMATCH

**20**

SPECIFICATIONS

**58**

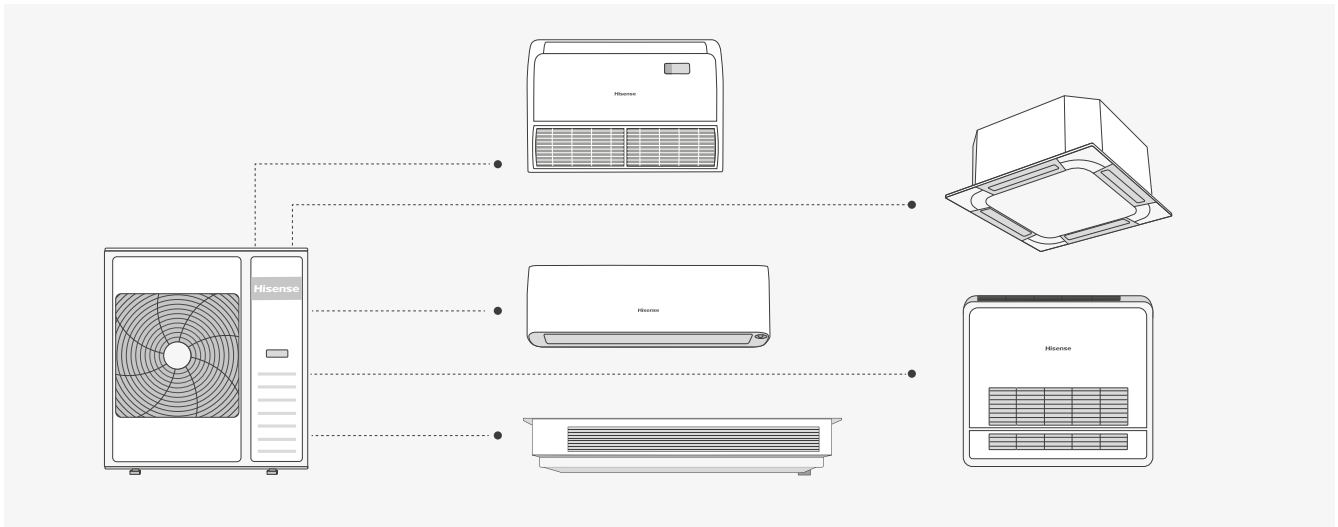
TECHNICAL DRAWINGS

# HI-MULTI SP SOLUTION

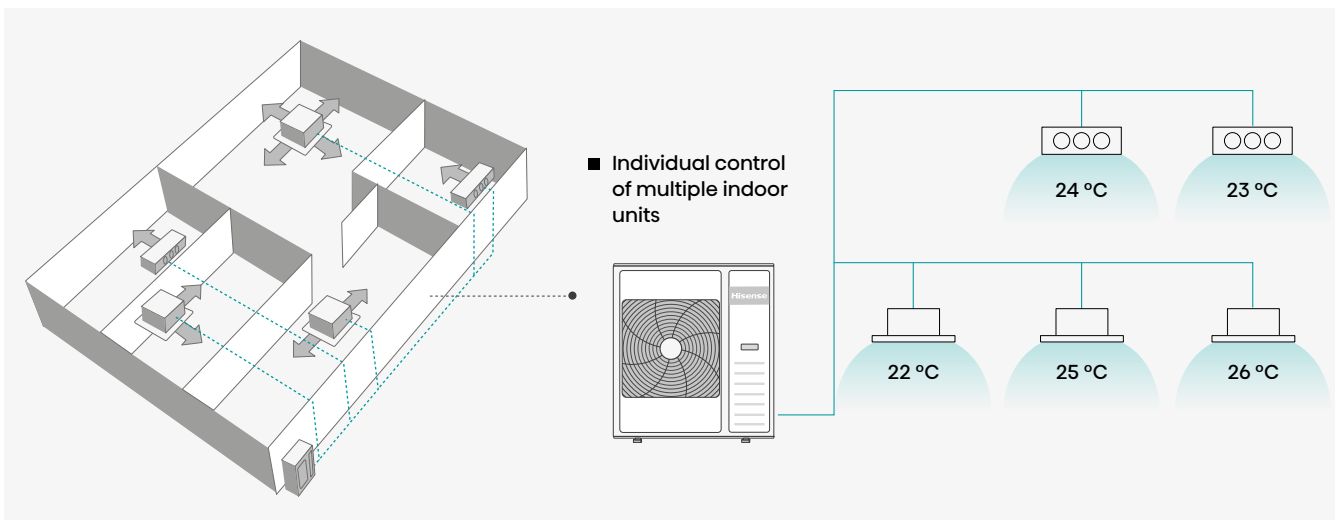
## Simply Extend Your Comfort

Hi-Multi SP brings free match comfort to your home or office.

- Up to 5 indoor units connectable to only one outdoor unit.
- Up to 5 kinds of indoor units connectable to Hi-Multi SP outdoor unit, wall-mounted, cassette, duct, ceiling suspended, console.



- Every indoor unit can be controlled separately.
- Use small capacity indoor units specially for small rooms which can only be connected to the multi split system.



## Flexibility Makes Installation Simple

For installation, it always needs to be as simple and fast as possible and minimize the interference to comfortable life. Hi-Multi SP brings the installation simple and easy:

### Space Saving

Saving the space occupied by multiple outdoor units.

### Time Saving

Multi split can save the time of connecting the cable, adding refrigerant, installing the bracket, and debugging after installation.

### Installation Easier

Only one set of bracket and cable from power supply .

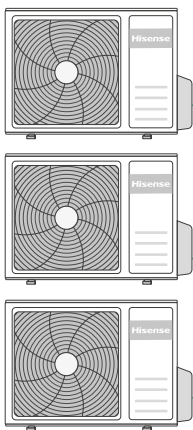
### Piping Longer

With the help of strong compressor, the Hi-Multi SP can provide a long distance up to 25m length from outdoor to one indoor unit and 15m height difference.

## Multi Split VS Mono Split

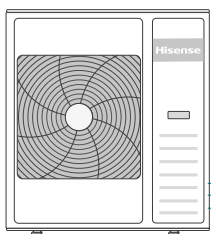
### Mono Split

- One ODU to one IDU
- More outdoor units
- More units-installation



### Multi Split

- Match more indoor units
- Multiple indoor units
- Only one outdoor unit



## Maximize Environmental Benefits

Minimum number of outdoor units, which can enable us to benefit from the environment. Hi-Multi SP brings greener solutions.



### Less Power Consumption

Hi-Multi SP will keep the compressor running in the speed with high efficiency and brings higher SEER and SCOP.



### Less Noise

Only one unit in operation is much quieter than two or more units. And we can install the only one unit in the place far away from the working space.



### Less Refrigerant Charge

Hi-Multi SP needs less refrigerant charge than the sum of mono split solution. And Less refrigerant brings less global warming.

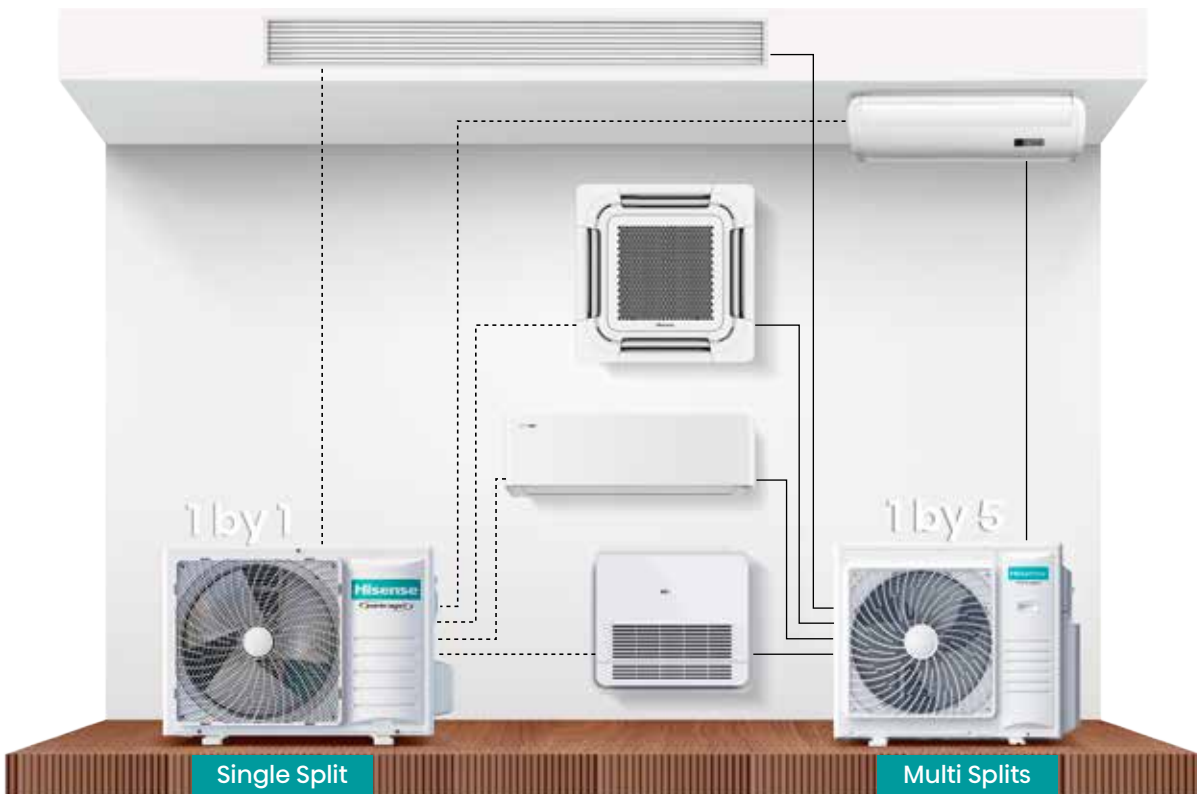


### Less Storage And Shipment

Hi-Multi SP need stock and ship only one unit, which can save the energy and cost of transportation and storage.

## Universal Indoor Model Brings Flexible Combinations

The indoor unit is universal indoor unit, which means it can not only connect with multi split system but also can connect with mono split system. And this can benefit the whole salers and installers.



# 4 REASONS TO CHOOSE HI-MULTI SP



## High Efficiency

- SEER up to 8.10
- SCOP up to 4.40
- EER up to 5.00
- COP up to 4.82
- The design of Coil and System comes from the balance of cooling and heating.
- Adhere to the full DC design to spread to areas of 50Hz and 60Hz.



## Reliable Design

- Cooling: -15~50 °C
- Heating: -20~24 °C
- Hi-Checker solution.
- PCB Insect-proof design.
- Ensure the system stability by compressor E-heater.
- Ensure the outdoor unit bottom non-blocked by the Bottom E-heater for extra-low heating.
- 7-Segment display for easy checking.



## Easy Installation

- Compact design to get the most compact 1 drive 2 outdoor unit.
- Lightweight design.
- Adopt the unified stop-valve design, so the installer can select the flexible connection.
- Piping adapters can help to connect to different piping of indoor units with different capacity.
- Big Valve design.
- Wooden bottom support design for easy moving.



## Flexible ATA Heat Pump

- Reddot award winner Air Master with Smart Eye Pro.
- Energy Pro X with smart eye and HI-NANO.
- Uni HA/HB and Max Comfort with Easy Installation Pro.
- Max Comfort with economical budget.
- Slim Duct with only 190mm height.
- Compact Cassette with the most compact design.
- Console for effective heating.

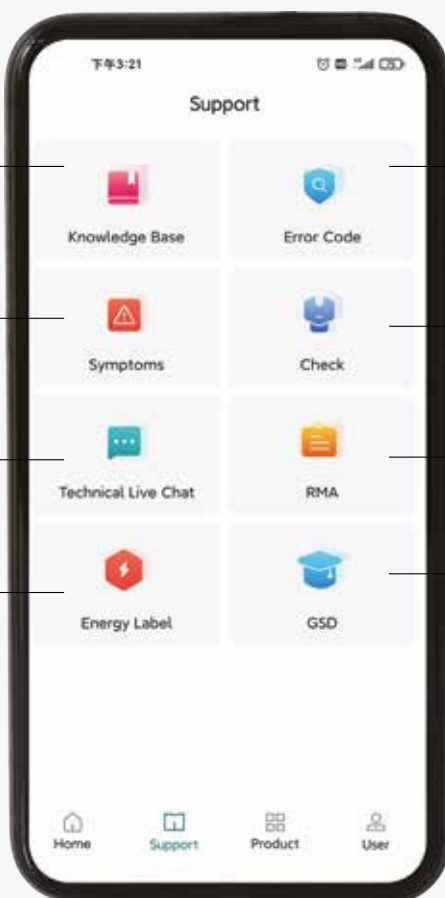
# HI-SERVICE SOLUTION

## Intelligent Service Management Platform

Hi-Service is a mobile management platform provided by Hisense for service provider and technician, mainly realizing functions such as work order management, technical support, spare parts management, and technician management. It can assist technician in conveniently, quickly, and professionally search error codes, troubleshooting solutions, and repair plans. It can also allow technician communicate with Hisense's technical team in real-time online, improving service efficiency and symptom resolution rates.

### Easy to Access

- Step 1:** Scan the QR code to download the installation file.
- Step 2:** Install Hi-service APP on the phone.
- Step 3:** Open and use it.



Allow technician to retrieve info in Hisense knowledge base system

To search for product error code info, click on the "Error Code" box

Not available for HVAC. It is for other kind of product

Connect with checker box via Bluetooth to read data from air conditioner

Not available for HVAC. It is for other kind of product

Not available for HVAC. It is for other kind of product

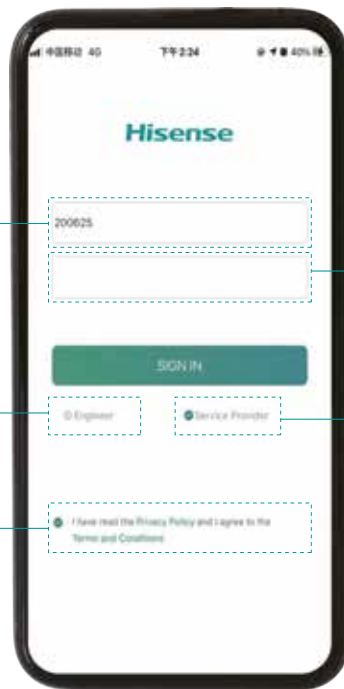
Help technicians to search for Hisense Multi Split energy labels online

Search for technical docs from Gorenje's knowledge base

### Note:

- The service provider can add the technician account by User → My Technicians → Add.
- The user can recommend the app to friends by User → Install QR Code.
- The user can check the version by User → App Version. And Hi-Service will update to provide better service without prior notice.

**Follow the following steps to login**



**Username**

200625

**Password (default):qwe6853S**  
Please change the password after first login.

**Service Provider is the account for service manager.**

ID Engineer  Service Provider

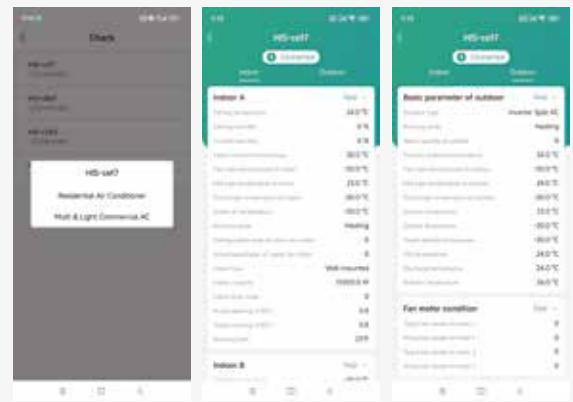
**Technician is the account for service man.**

**Please read the Terms & Conditions, and privacy policy before login.**

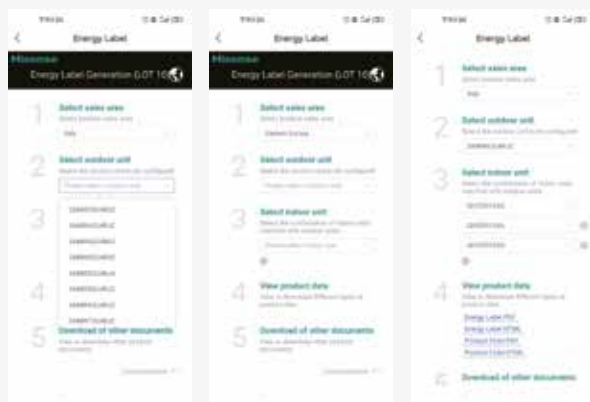
I have read the Privacy Policy and I agree to the Terms and Conditions



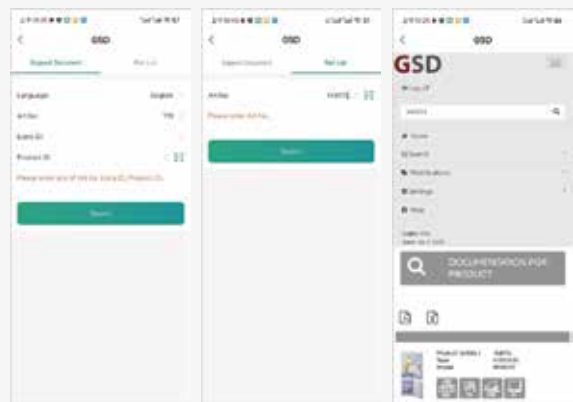
**• Error code:**  
App will display detailed information of the error code selected.  
Technician can view fault description, reason, trigger condition and its solution of the error code selected.



**• Check:**  
Data returned from Hi-Checker 3.0 will be shown here, it will be refreshed automatically every few seconds.



**• Energy label:**  
It will help to get the energy label and fiche for Hi-Multi SP models below 12KW.

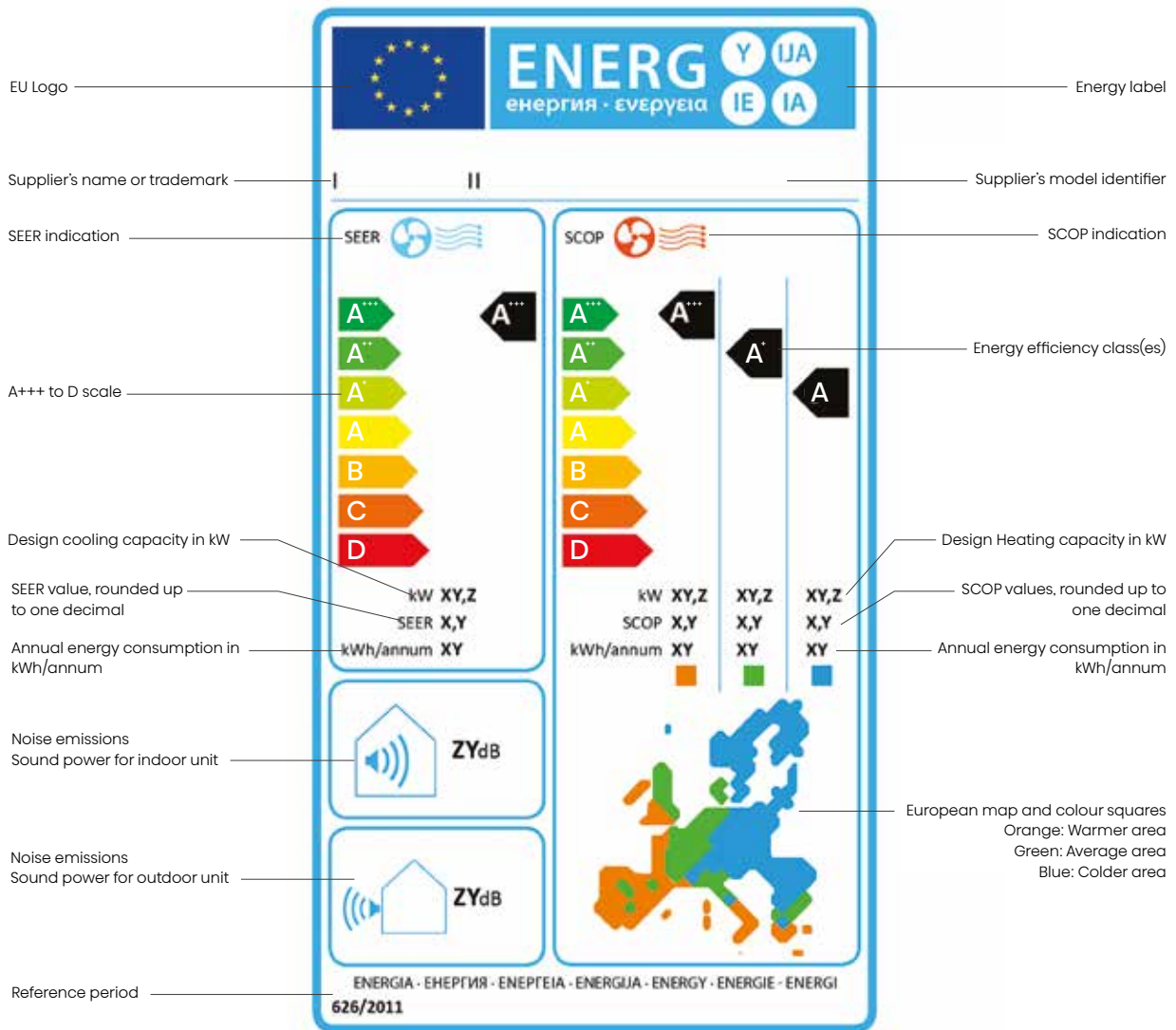


**• GSD:**  
It is Gorenje GSD Knowledge base, with the same GSD account and password in the computer.

# ENERGY LABEL

To enable consumers to compare and make purchasing decisions based on uniform labelling criteria, Europe has introduced energy labels. The previous European energy label for air conditioners, introduced in 1992, did its job for the time. In 2013, Europe introduced a seasonal energy label. This label allows end users to make even more informed choices, since seasonal efficiency reflects air conditioner efficiency over an entire season.

The energy label includes multiple classifications from A+++ to D, reflected in colour shadings ranging from dark green (most energy efficient) to red (least efficient). Information on the label not only includes the seasonal efficiency ratings for heating (SCOP) and cooling (SEER), but also annual energy consumption and noise levels.



# CONDITIONS & CONVERSION

## Cooling

### EER test:

Indoor temperature 27°CDB, 19°CWB  
Outdoor temperature 35°CDB.

### SEER Test:

Condition	Part Load Ratio	Outdoor Air Dry Bulb Temperature °C	Indoor Air Dry Bulb (Wet Bulb) Temperature °C
A	100%	35	27 (19)
B	74	30	27 (19)
C	47	25	27 (19)
D	21	20	27 (19)

## Heating

### COP test:

Indoor temperature 20°CDB  
Outdoor temperature 7°CDB, 6°CWB.

### SCOP Test:

Condition	Part Load Ratio In %			Outdoor Heat Exchanger	Indoor Heat Exchanger
	A	W	C	Inlet dry (wet) bulb temperature °C	Indoor air dry bulb temperature °C
A	88	NA	61	-7(-8)	20
B	54	100	37	2(i)	20
C	35	64	24	7(6)	20
D	15	29	11	12(i1)	20
E	(TOL - 16) / (Tdesignh - 16)			TOL	20
F	(Tbiv - 16) / (Tdesignh - 16)			Tbiv	20
G	NA	NA	82	-15	20

## Sound Level

The sound pressure level is measured via a microphone at a certain distance from the unit. It is a relative value, depending on the distance and acoustic environment (for measuring conditions: please refer to the technical databooks). The sound power level is an absolute value indicating the "power" which a sound source generates. For more detailed information please consult our technical databooks.



## Conversion Data

- kW x 3412 = btu/h
- °C x 1.8 + 32 = °F
- l/s x 3.6 = m³/h
- bar x 14.51 = psi
- m² x 10.76 = ft²

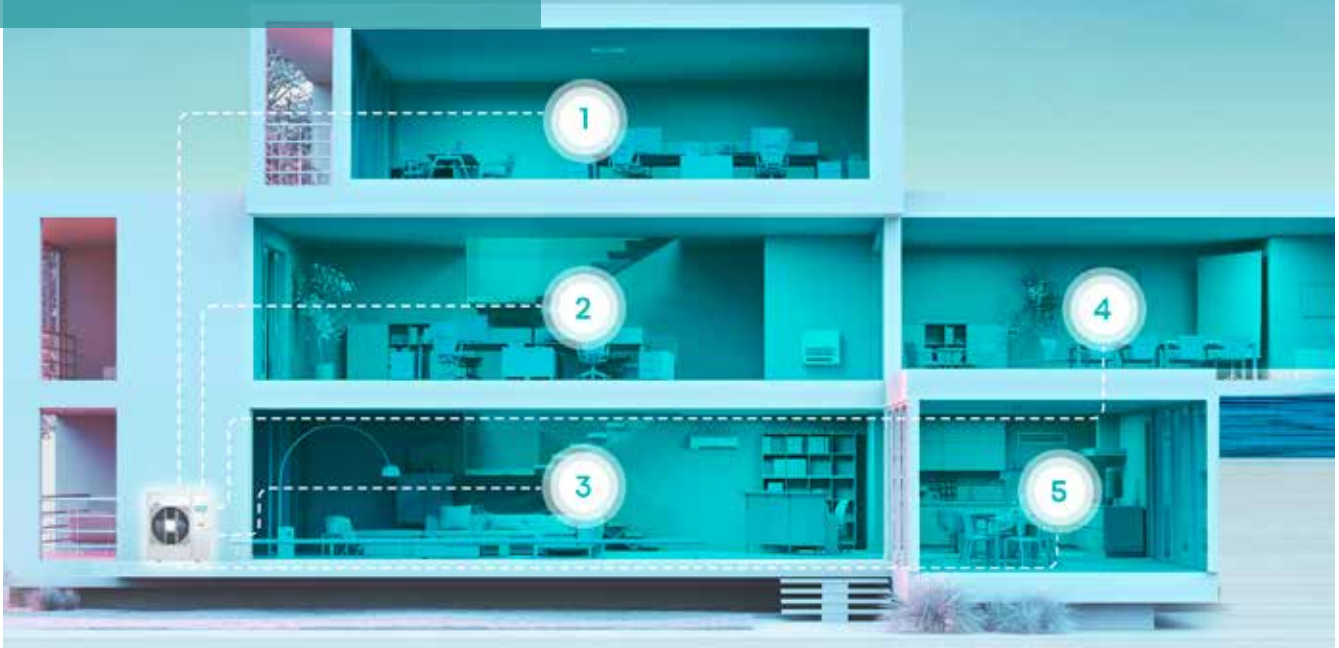
## Pipe Size

- 1/4in = 6.35mm
- 3/8in = 9.52mm
- 1/2in = 12.70mm
- 5/8in = 15.88mm
- 3/4in = 19.05mm
- 7/8in = 22.22mm
- 11/8in = 28.58mm
- 13/8in = 34.93mm

# CE 0035



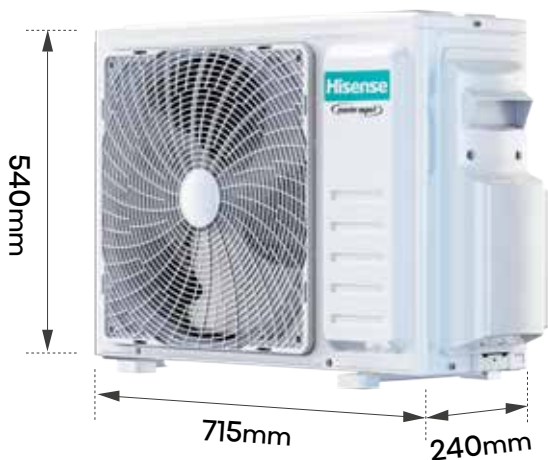
# MULTISPLIT FREEMATCH



## Compact Design

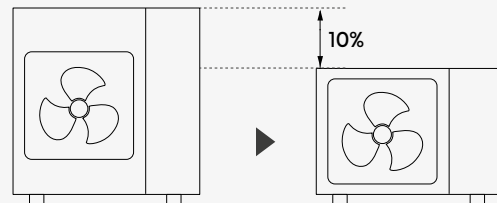
Lighter and more compact units for easier and more flexible installation, as well as easier transportation with a higher potential volume of ACs per transportation unit.

Note: Hisense has the most compact 1 by 2 multi-split outdoor unit mode in class.



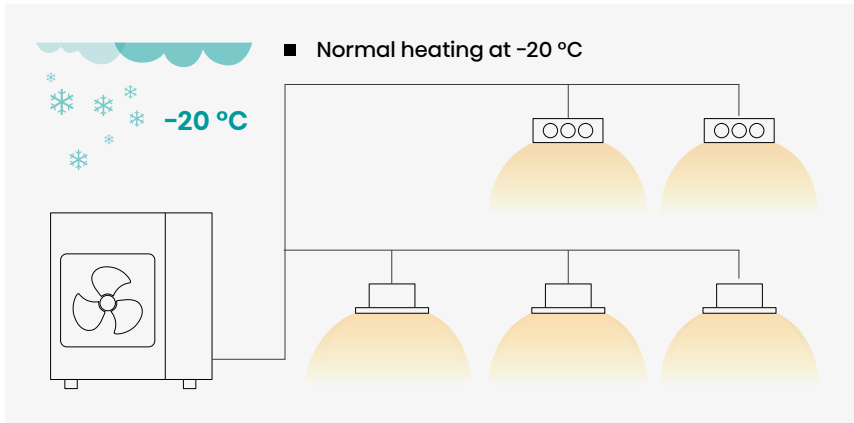
■ Unit Size: Reduced By **10%**

Units Height: Reduced To **0.54m**



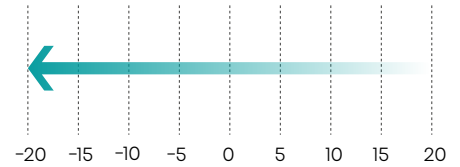
## Low Temperature Heating

The air conditioner can meet the heating demand even when outdoor temperature is down to  $-20^{\circ}\text{C}$ .



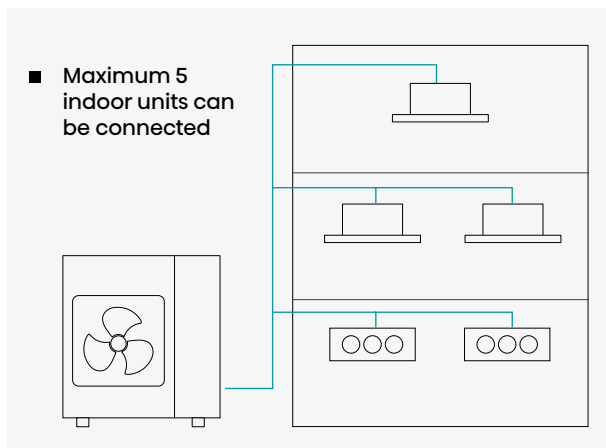
■ Wide Temperature Setting Range

Lowest operating outdoor temperature  $-20^{\circ}\text{C}$ .



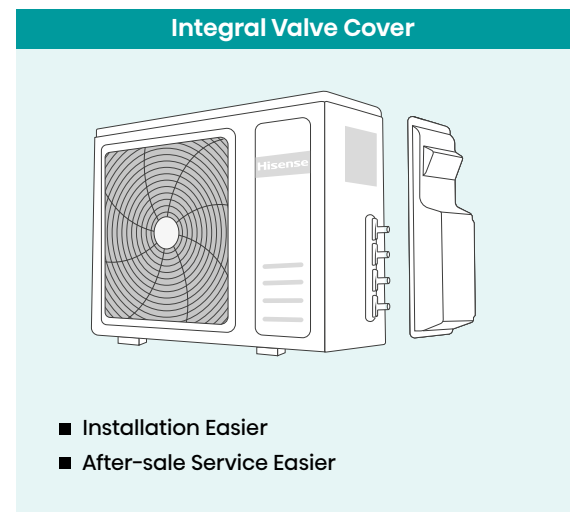
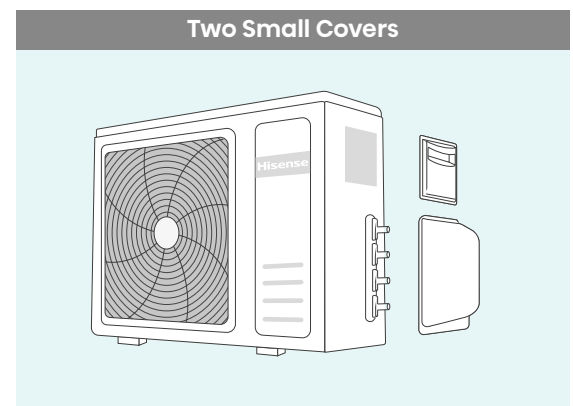
## Multi Split Up To 5

The maximum number of indoor units that the outdoor unit can match is up to 5.



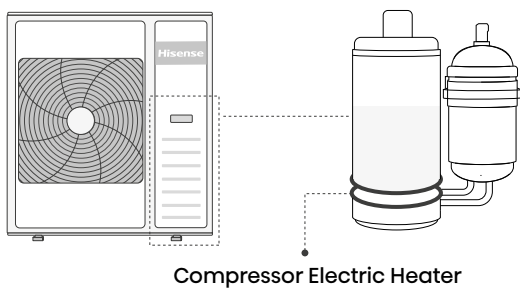
## Integral Valve Cover

The big valve cover makes installation and after-sale service easier.



## Compressor E-Heater

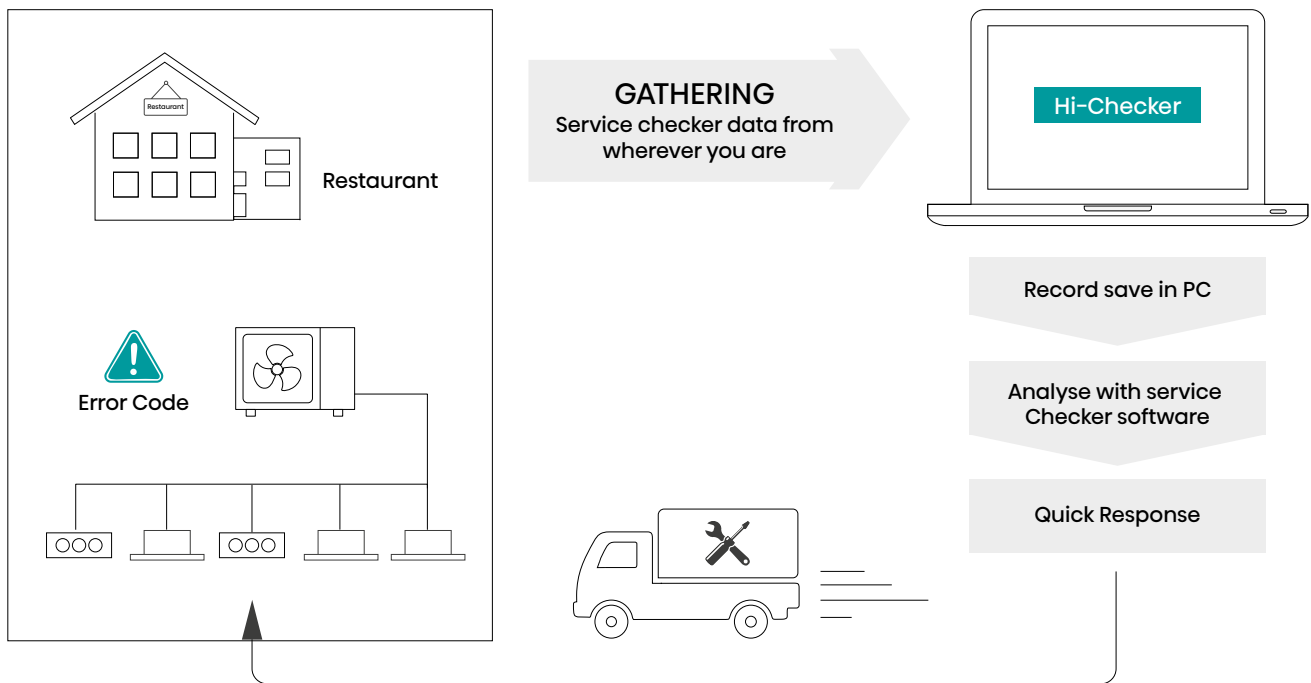
Air conditioner with compressor E-heater can still run stably in frigid regions.



## Checker Easy

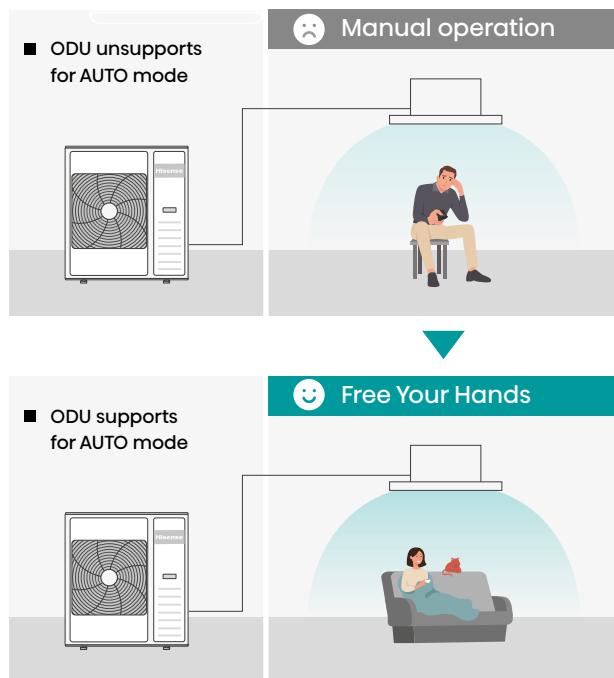
It can be fast and easy to connect to Hi-Checker. And Hi-Checker can monitor the air conditioner parameters, such as discharging temperature.

### Professional Error Checking



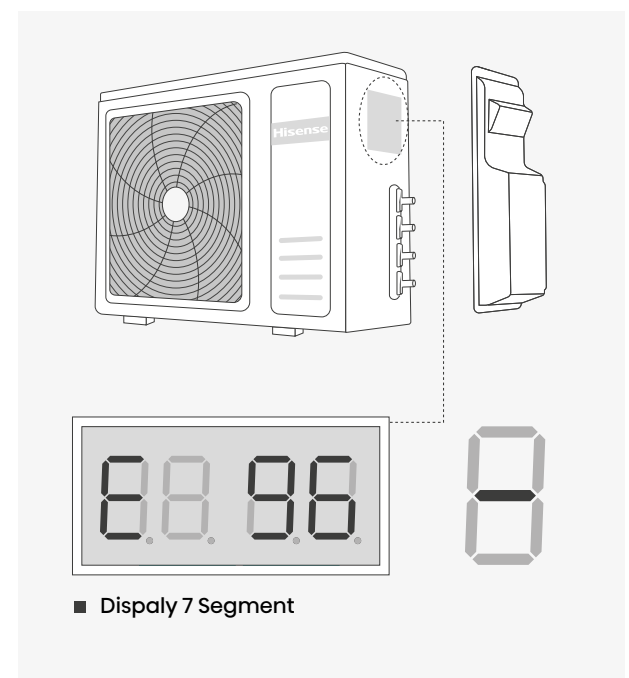
## Auto Mode For IDU

Air conditioner is operating in smart mode by pressing one button, operate mode is adjusted by ambient temperature automatically.



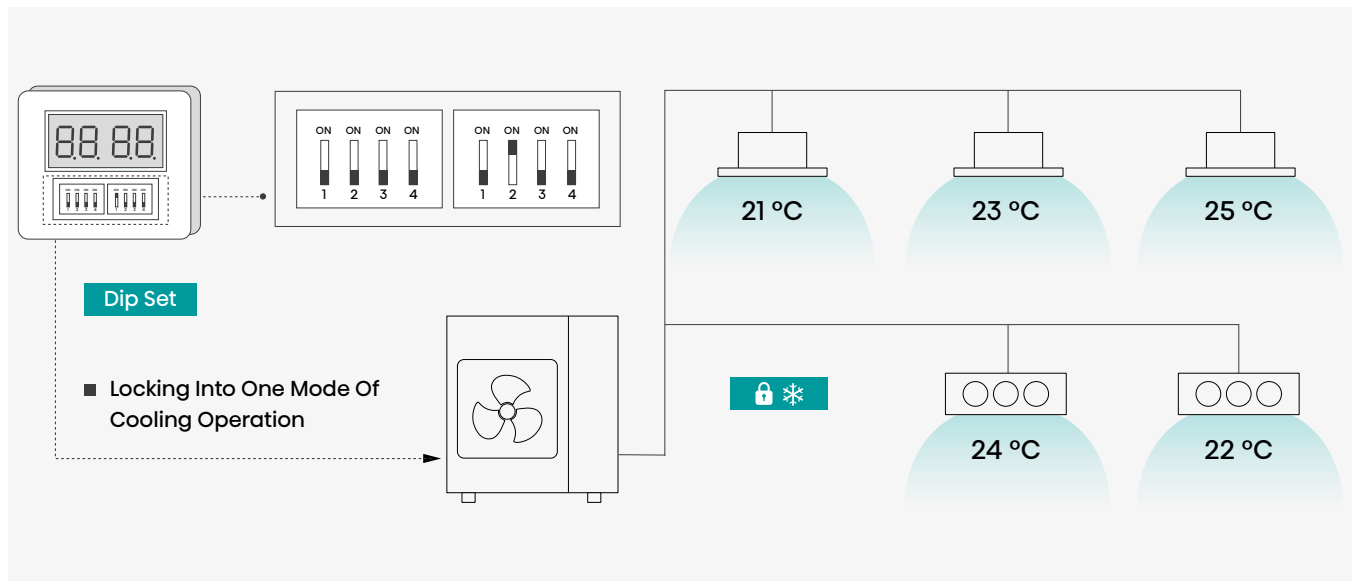
## Display 7 Segment

Displays the fault code of specific problems leading to correct diagnostics and correct operating procedures.



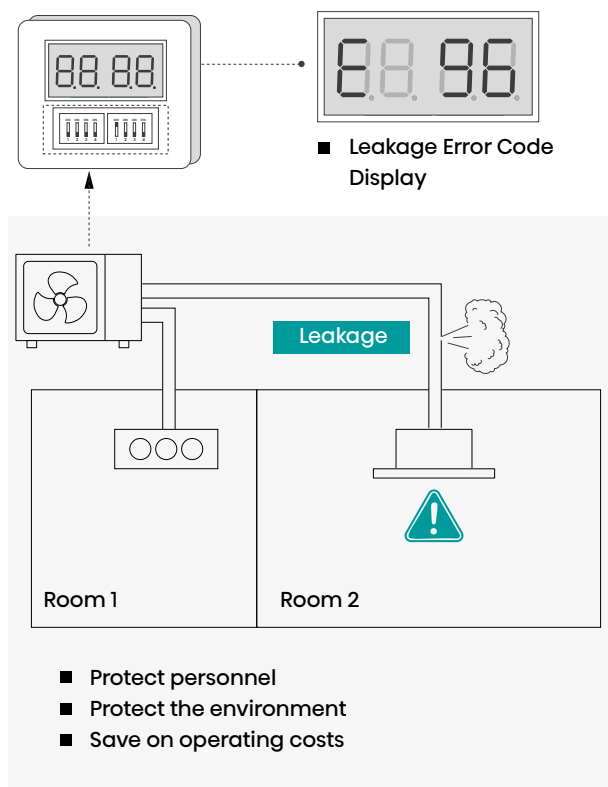
## Cooling Lock

By using the DIP switch, the external machine can lock into one mode of cooling operation, meaning that all the connected internal machines will output the same cooling mode.



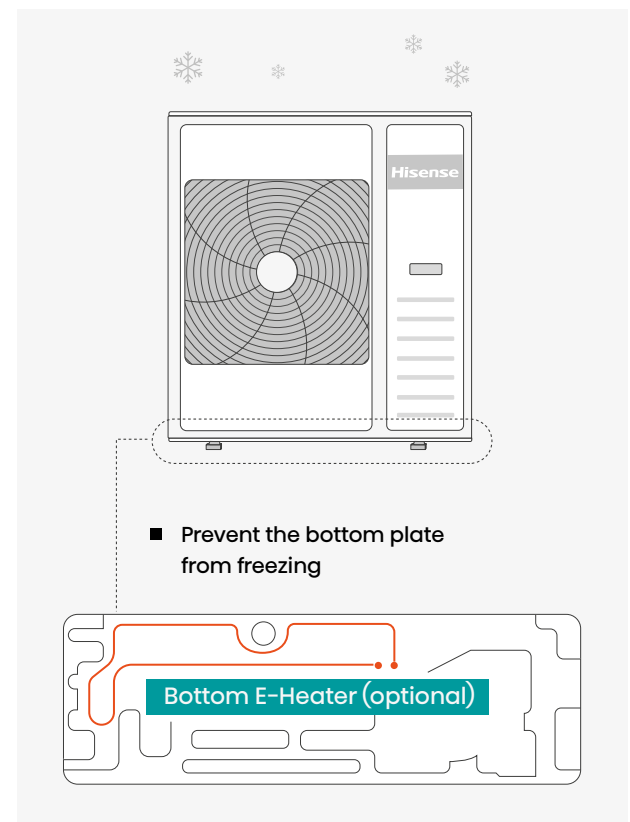
## Leakage Detective

The AC can detect and alert the refrigerant leakage if it occurs by monitoring the parameter abnormality.



## Bottom E-Heater

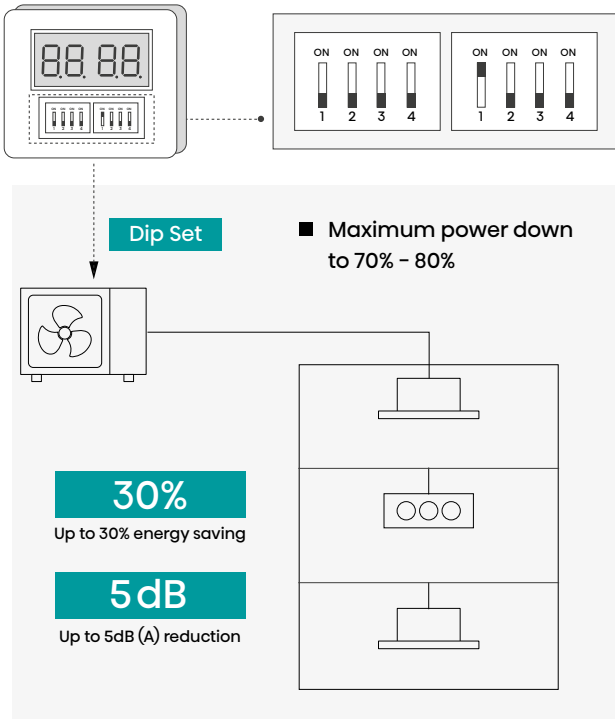
AC with bottom E-Heater can prevent the bottom pate from freezing in winter.



## Smart Energy Management

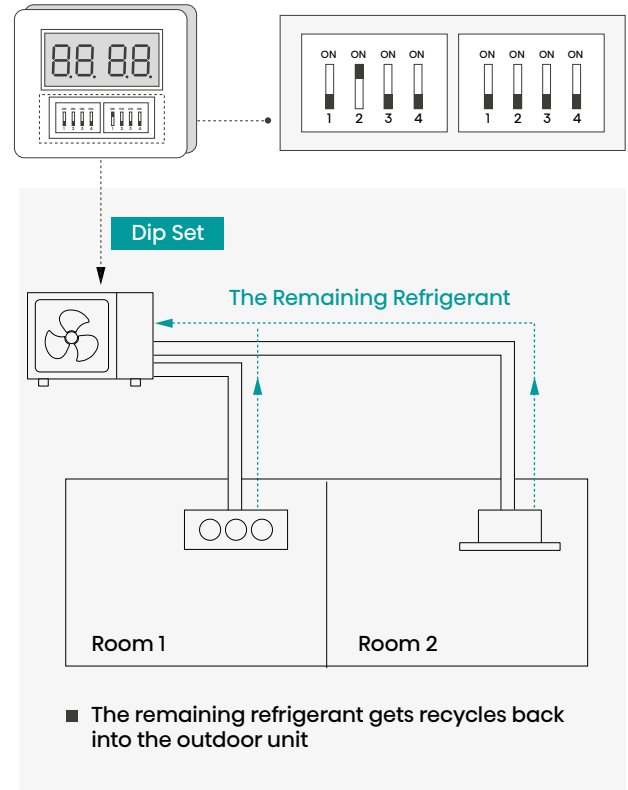
By using the DIP switch, the maximum power and current of the whole machine can be limited at any time, reducing pressure on the electrical grid and avoiding tripping.

\* This data is only for the laboratory test results, the actual use of the actual machine shall prevail



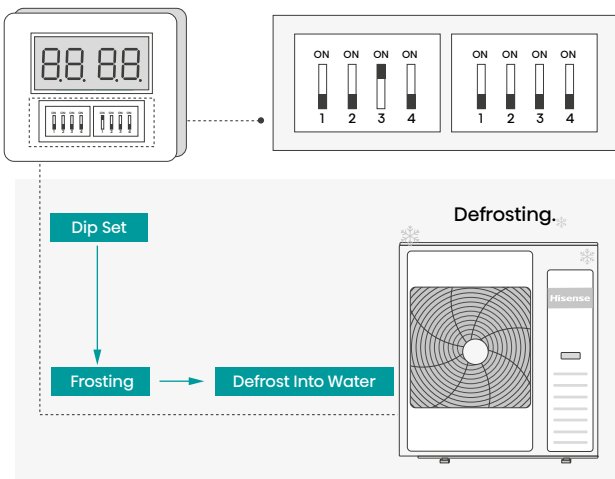
## Pump Down

Once an indoor unit is taken out of operation for repairs or maintenance, the remaining refrigerant gets recycled back into the outdoor unit. Upon reinstallation of the internal unit, the refrigerant is recovered and used again.



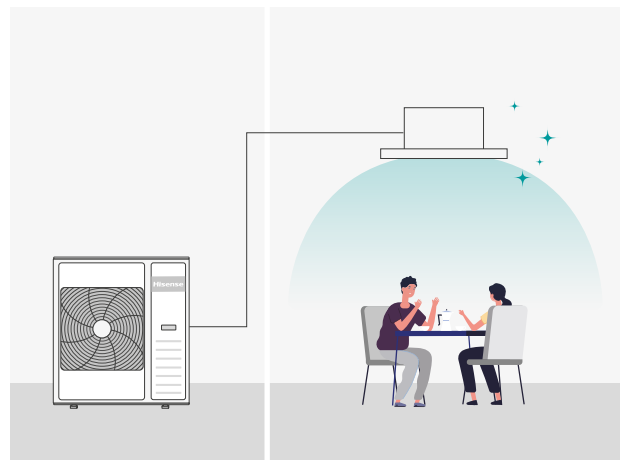
## Manual Forced Defrost

In case of automatic defrosting does not work, the user can defrost the outdoor unit forcibly simply by dialing a code on the DIP switch.



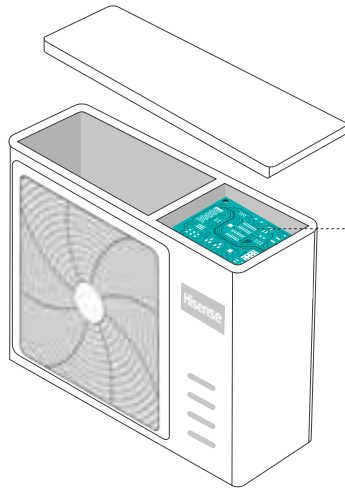
## Self-Cleaning For IDU

Internal machines can self-clean due to the evaporation of water from the external machine, ensuring continuous operation and avoiding unnecessary field trips.

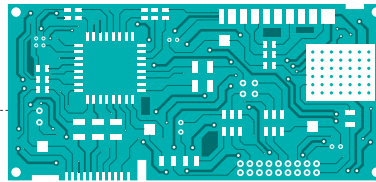


## PCB with Insect Protection

Ensures the safety of electronic control components by blocking insects and small rodents & lizards from damaging the PCB board.



■ PCB



### PCB with Insect Protection

Lizards



Insects And Small Rodents



Water Vapour



## Hi-Multi SP Style

Back Mental Guard Net



Square Fan Cover



One Fan Compact Design



Bottom Rubber Pad



Deep Grip For Easy Handling






Two Screws For Fast Operation

Big Valve Cover

Horizontal Stripe Design

# LINE UP




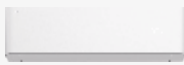







## Hi-Multi SP R32

 <b>1 Drive 2</b> <span>3.5kW</span> <span>4.2kW</span>	 <b>1 Drive 2</b> <span>5.2kW</span>	 <b>1 Drive 3</b> <span>4.0kW</span> <span>5.2kW</span> <span>6.2kW</span> <span>7.2kW</span>	 <b>1 Drive 4</b> <span>7.2kW</span> <span>8.1kW</span>	 <b>1 Drive 5</b> <span>10.5kW</span>
--	---	---	---	--

## Hi-Multi+ R410A

 <b>1 Drive 5</b> <span>12.5kW</span>	 <b>1 Drive 5</b> <span>14.0kW</span> <span>16.0kW</span>
--	--

## Indoor Unit

 <b>Air Master</b> <span>2.5kW</span> <span>3.5kW</span> <span>5.0kW</span>	
 <b>Fresh Air</b> <span>2.5kW</span> <span>3.5kW</span>	
 <b>Energy Pro X</b> <span>2.5kW</span> <span>3.5kW</span> <span>5.0kW</span>	
 <b>Uni HA</b> <span>2.5kW</span> <span>3.5kW</span> <span>5.0kW</span> <span>7.0kW</span>	 <b>Uni HB</b> <span>2.5kW</span> <span>3.5kW</span> <span>5.0kW</span> <span>7.0kW</span>
 <b>Max Comfort</b> <span>2.0kW</span> <span>2.5kW</span> <span>3.5kW</span> <span>5.0kW</span> <span>7.0kW</span>	 <b>Ultra Comfort</b> <span>2.5kW</span> <span>3.5kW</span> <span>5.0kW</span> <span>7.0kW</span>
 <b>Expert Comfort</b> <span>2.5kW</span> <span>3.5kW</span> <span>5.0kW</span> <span>7.0kW</span>	 <b>Wings Comfort</b> <span>2.5kW</span> <span>3.5kW</span> <span>5.0kW</span> <span>7.0kW</span>
 <b>Hi-Smart</b> <span>2.5kW</span> <span>3.5kW</span> <span>5.0kW</span> <span>7.0kW</span>	 <b>Easy Smart</b> <span>2.5kW</span> <span>3.5kW</span> <span>5.0kW</span> <span>7.0kW</span>

 <b>Compact Cassette</b> <span>2.5kW</span> <span>3.5kW</span> <span>4.0kW</span> <span>5.0kW</span>
 <b>Cassette</b> <span>4.0kW</span> <span>5.0kW</span> <span>6.0kW</span> <span>7.0kW</span>
 <b>Slim Duct</b> <span>2.5kW</span> <span>3.5kW</span> <span>4.0kW</span> <span>5.0kW</span> <span>7.0kW</span>
 <b>MSP Duct</b> <span>4.0kW</span> <span>5.0kW</span> <span>6.0kW</span> <span>7.0kW</span>
 <b>Console</b> <span>2.5kW</span> <span>3.5kW</span> <span>4.0kW</span> <span>5.0kW</span>
 <b>Ceiling Suspended</b> <span>5.0kW</span> <span>6.0kW</span> <span>7.0kW</span>

## Outdoor Unit

kW	3.5	4.0	5.0	6.0	7.0	8.0	10.5	12.5	14.0	16.0
2 IDU	2AMW35U4RGC	2AMW42U4RGC	2AMW52U4RXC							
3 IDU		3AMW42U4RJC	3AMW52U4RJC	3AMW62U4RJC	3AMW72U4RJC					
4 IDU					4AMW72U4RJC	4AMW81U4RJC				
5 IDU							5AMW105U4RGC	AMW125U4SE +F15(E)	AMW140U6SP +F15(E)	AMW160U6SP +F15(E)

## Indoor Unit

kW		2.0	2.5	3.5	4.0	5.0	6.0	7.0
RAC wall-mounted	Air Master (White)		QK25WM0AG	QK35WM0AG		QK50FM0AG		
	Air Master (Black)		QK25WM0BG	QK35WM0BG		QK50FM0BG		
	Fresh Air (White)		QJ25XJ3AG	QJ35XJ3AG				
	Fresh Air (Gold)		QJ25XJ3GG	QJ35XJ3GG				
	Fresh Air (Blue)		QJ25XJ3BG	QJ35XJ3BG				
	Energy Pro X (White)		QH25XV4AG	QH35XV4AG		QH50BV0AG		
	Energy Pro X (Black)		QH25XV4BG	QH35XV4BG		QH50BV0BG		
	Uni HA		HA25XU00G	HA35XU00G		HA50BP00G		HA70KW00G
	Uni HB (White)		HB25XU0AG	HB35XU0AG		HB50BP0AG		HB70KW0AG
	Uni HB (Black)		HB25XU0BG	HB35XU0BG		HB50BP0BG		HB70KW0BG
	Max Comfort	HC20LC00G	HC25YC00G	HC35WU00G		HC50XP00G		HC70FW00G
	Ultra Comfort		KE25YR4BG	KE35MR0BG		KE50XS1GG		KE70BT2BG
	Expert Comfort		KF25YR4BG	KF35MR0BG		KF50XS1GG		KF70BT2BG
	Wings Comfort		KB25YR4BG	KB35MR0BG		KB50XS1GG		KB70BT2BG
Hi-Smart		CF25YR4BG	CF35LR03G		CF50XS1GG		CF70BT2BG	
Easy Smart		CA25YR4BG	CA35LR03G		CA50XS1GG		CA70BT2BG	
LCAC	Compact Cassette		ACT26UR4RCC8	ACT35UR4RCC8	ACT40UR4RCC8	ACT52UR4RCC8		
	Cassette				ACT40UR4RJC8	ACT52UR4RJC8	ACT60UR4RJC8	ACT71UR4RJC8
	Slim Duct		ADT26UX4RBL8	ADT35UX4RBL8	ADT40UX4RCL8	ADT52UX4RCL8		ADT71U4RCL8
	MSP Duct				ADT40UX4RGM8	ADT52UX4RGM8	ADT60UX4RFM8	ADT71UX4RFM8
	Console		AKT26UR4RK8	AKT35UR4RK8	AKT40UR4RK8	AKT52UR4RK8		
	Ceiling Suspended						AVT60UR4RB8	AVT71UR4RB8

# SPECIFICATION

Market Model				2AMW35U4RGC	2AMW42U4RGC	2AMW52U4RXC		
Factory Name				AMW2-12U4RGC	AMW2-14U4RGC	AMW2-18U4RXC		
Seasonal efficiency	Cooling	Pdesignc	W	3500	4100	5000		
		SEER	W/W	8.10	8.00	7.60		
		Annual energy consumption	—	151	179	230		
	Heating (Average)	Pdesignh	W	3500	3500	4500		
		SCOP	W/W	4.40	4.40	4.40		
		Annual energy consumption	—	1114	1114	1432		
		Tbiv	°C	-7	-7	-7		
	Heating (Warmer)	Tol	°C	-10	-10	-10		
		Pdesignh	W	3500	3500	4500		
		SCOP	W/W	5.31	5.31	5.31		
		Annual energy consumption	—	923	923	1186		
		Tbiv	°C	2	2	2		
		Tol	°C	2	2	2		
		Cooling	Capacity	Nominal	W	3500	4100	5000
				min~max	W	1000~4500	1000~5500	1200~6600
EER	Nominal		W/W	4.55	4.46	4.02		
Heating	Capacity	Nominal	W	4000	4500	5500		
		min~max	W	1000~5000	1000~6000	1200~7000		
	COP	Nominal	W/W	4.82	4.74	4.23		
Noise	Sound Power	dB(A)	58	58	60			
Guaranteed Operating Range	Cooling	°C	-15~50	-15~50	-15~50			
	Heating	°C	-20~24	-20~24	-20~24			
Rated power input	Max	W	2300	2300	2500			
Breaker size	Outdoor	A	15	15	15			
Net Dimension (WxHxD)	Outdoor	mm	715×540×240	715×540×240	810×580×280			
Net Weight	Outdoor	kg	28.5	28.5	35			
Piping connections	Diameter (Liquid)	mm	6.35×2	6.35×2	6.35×2			
	Diameter (Gas)	mm	9.52×2	9.52×2	9.52×2			
	Max Length (Each)	m	15	15	20			
	Max Length (Total)	m	30	30	30			
	Max Height	m	15	15	15			
Refrigerant-R32	Pre-charged	g	950	950	1050			
	Upload additional refrigerant	g/m	12g/m over 10m	12g/m over 10m	12g/m over 10m			

## RAC

Connectable Indoor Units	Air Master GK (white/black)			Fresh Air QJ (white/gold/blue)		Energy Pro X QH (white/black)			Uni HA HA				Uni HB HB (white/black)				Max Comfort HC				
	2.5kW	3.5kW	5.0kW	2.5kW	3.5kW	2.5kW	3.5kW	5.0kW	2.5kW	3.5kW	5.0kW	7.0kW	2.5kW	3.5kW	5.0kW	7.0kW	2.0kW	2.5kW	3.5kW	5.0kW	7.0kW
	9kBTU	12kBTU	18kBTU	9kBTU	12kBTU	9kBTU	12kBTU	18kBTU	9kBTU	12kBTU	18kBTU	24kBTU	9kBTU	12kBTU	18kBTU	24kBTU	7kBTU	9kBTU	12kBTU	18kBTU	24kBTU
2AMW35U4RGC	●	●		●	●	●	●		●	●			●	●			●	●	●		
2AMW42U4RGC	●	●		●	●	●	●		●	●			●	●			●	●	●		
2AMW52U4RXC	●	●		●	●	●	●		●	●			●	●			●	●	●		
3AMW42U4RJC	●	●		●	●	●	●		●	●			●	●			●	●	●		
3AMW52U4RJC	●	●	●	●	●	●	●	●	●	●	●		●	●	●		●	●	●	●	●
3AMW62U4RJC	●	●	●	●	●	●	●	●	●	●	●		●	●	●		●	●	●	●	●
3AMW72U4RJC	●	●	●	●	●	●	●	●	●	●	●		●	●	●		●	●	●	●	●
4AMW72U4RJC	●	●	●	●	●	●	●	●	●	●	●		●	●	●		●	●	●	●	●
4AMW81U4RJC	●	●	●	●	●	●	●	●	●	●	●		●	●	●		●	●	●	●	●
5AMW105U4RQC	●	●	●	●	●	●	●	●	●	●	●	●	●	●	●	●	●	●	●	●	●
AMW125U4SE+FI5(E)	●	●	●	●	●	●	●	●	●	●	●	●	●	●	●	●	●	●	●	●	●
AMW140U6SP+FI5(E)	●	●	●	●	●	●	●	●	●	●	●	●	●	●	●	●	●	●	●	●	●
AMW160U6SP+FI5(E)	●	●	●	●	●	●	●	●	●	●	●	●	●	●	●	●	●	●	●	●	●

Market Model				3AMW42U4RJC	3AMW52U4RJC	3AMW62U4RJC	3AMW72U4RJC	
Factory Name				AMW3-14U4RJC	AMW3-18U4RJC	AMW3-21U4RJC	AMW3-24U4RJC	
Seasonal efficiency	Cooling	Pdesignc	W	4200	5200	6300	7000	
		SEER	W/W	8.00	8.10	8.00	790	
		Annual energy consumption	—	184	225	276	310	
	Heating (Avarage)	Pdesignh	W	5000	5000	5000	5000	
		SCOP	W/W	4.40	4.40	4.40	4.40	
		Annual energy consumption	—	1591	1591	1591	1591	
		Tbiv	°C	-7	-7	-7	-7	
	Heating (Warmer)	Tol	°C	-10	-10	-10	-10	
		Pdesignh	W	5000	5000	5000	5000	
		SCOP	W/W	5.31	5.31	5.31	5.31	
		Annual energy consumption	—	1318	1318	1318	1318	
	Cooling	Capacity	Nominal	W	4200	5200	6300	7000
			min-max	W	1600-8200	1600-8200	2000-9000	2000-10000
		EER	Nominal	W/W	5.00	4.30	4.29	4.00
	Heating	Capacity	Nominal	W	4600	6000	7000	8000
min-max			W	1300-8500	1300-8500	2000-9000	2000-10000	
	COP	Nominal	W/W	4.40	4.00	4.43	4.00	
Noise	Sound Power	dB(A)	63	63	63	63		
Guaranteed Operating Range	Cooling	°C	-15-50	-15-50	-15-50	-15-50		
	Heating	°C	-20-24	-20-24	-20-24	-20-24		
Rated power input	Max	W	3200	3200	3900	3900		
Breaker size	Outdoor	A	25	25	25	25		
Net Dimension (WxHxD)	Outdoor	mm	860×670×310	860×670×310	860×670×310	860×670×310		
Net Weight	Outdoor	kg	43	43	45	45		
Piping connections	Diameter (Liquid)	mm	6.35×3	6.35×3	6.35×3	6.35×3		
	Diameter (Gas)	mm	9.52×3	9.52×3	9.52×3	9.52×3		
	Max Length (Each)	m	20	20	25	25		
	Max Length (Total)	m	45	45	50	50		
	Max Height	m	15	15	15	15		
Refrigerant-R32	Pre-charged	g	1350	1350	1460	1460		
	Upload additional refrigerant	g/m	12g/m over 15m	12g/m over 15m	12g/m over 15m	12g/m over 15m		

RAC																				
Connectable Indoor Units	Ultra Comfort KE				Expert Comfort KF				Wings Comfort KB				Hi-Smart CF				Easy Smart CA			
	2.5kW 9kBTU	3.5kW 12kBTU	5.0kW 18kBTU	7.0kW 24kBTU	2.5kW 9kBTU	3.5kW 12kBTU	5.0kW 18kBTU	2.5kW 9kBTU	2.5kW 9kBTU	3.5kW 12kBTU	5.0kW 18kBTU	7.0kW 24kBTU	2.5kW 9kBTU	3.5kW 12kBTU	5.0kW 18kBTU	7.0kW 24kBTU	2.5kW 9kBTU	3.5kW 12kBTU	5.0kW 18kBTU	7.0kW 24kBTU
2AMW35U4RGC	●	●			●	●			●	●			●	●			●	●		
2AMW42U4RGC	●	●			●	●			●	●			●	●			●	●		
2AMW52U4RXC	●	●			●	●			●	●			●	●			●	●		
3AMW42U4RJC	●	●			●	●			●	●			●	●			●	●		
3AMW52U4RJC	●	●	●		●	●	●		●	●	●		●	●	●		●	●	●	
3AMW62U4RJC	●	●	●		●	●	●		●	●	●		●	●	●		●	●	●	
3AMW72U4RJC	●	●	●		●	●	●		●	●	●		●	●	●		●	●	●	
4AMW72U4RJC	●	●	●		●	●	●		●	●	●		●	●	●		●	●	●	
4AMW81U4RJC	●	●	●		●	●	●		●	●	●		●	●	●		●	●	●	
5AMW105U4RQC	●	●	●	●	●	●	●	●	●	●	●	●	●	●	●	●	●	●	●	●
AMW125U4SE+F15(E)	●	●	●	●	●	●	●	●	●	●	●	●	●	●	●	●	●	●	●	●
AMW140U6SP+F15(E)	●	●	●	●	●	●	●	●	●	●	●	●	●	●	●	●	●	●	●	●
AMW160U6SP+F15(E)	●	●	●	●	●	●	●	●	●	●	●	●	●	●	●	●	●	●	●	●

Market Model				4AMW72U4RJC	4AMW81U4RJC	5AMW105U4RQC
Factory Name				AMW4-24U4RJC	AMW4-27U4RJC	AMW5-36U4RQC
Seasonal efficiency	Cooling	Pdesignc	W	7200	8000	10000
		SEER	W/W	7.80	7.50	8.00
		Annual energy consumption	—	323	373	438
	Heating (Average)	Pdesignh	W	5600	5600	8000
		SCOP	W/W	4.40	4.40	4.40
		Annual energy consumption	—	1782	1782	2545
		Tbiv	°C	-7	-7	-7
	Heating (Warmer)	Tol	°C	-10	-10	-10
		Pdesignh	W	5600	5600	8000
		SCOP	W/W	5.31	5.31	5.31
		Annual energy consumption	—	1476	1476	2109
	Cooling	Capacity	Nominal	W	7200	8000
min~max			W	2500~11000	2500~12000	2500~12000
Cooling	EER	Nominal	W/W	3.8	3.73	3.73
		min~max	W	2500~11000	2500~12000	3000~14000
Heating	Capacity	Nominal	W	8000	9000	11000
		min~max	W	2500~11000	2500~12000	3000~14000
Heating	COP	Nominal	W/W	4.15	4.10	3.90
		min~max	W	2500~11000	2500~12000	3000~14000
Noise	Sound Power	dB(A)	64	64	68	
Guaranteed Operating Range	Cooling	°C	-15~50	-15~50	-15~50	
	Heating	°C	-20~24	-20~24	-20~24	
Rated power input	Max	W	3900	3900	5000	
Breaker size	Outdoor	A	25	25	32	
Net Dimension (WxHxD)	Outdoor	mm	860×670×310	860×670×310	975×835×360	
Net Weight	Outdoor	kg	48	48	72	
Piping connections	Diameter (Liquid)	mm	6.35×4	6.35×4	6.35×5	
	Diameter (Gas)	mm	9.52×4	9.52×4	9.52×5	
	Max Length (Each)	m	25	25	25	
	Max Length (Total)	m	60	60	80	
	Max Height	m	15	15	15	
Refrigerant-R32	Pre-charged	g	1750	1750	2200	
	Upload additional refrigerant	g/m	12g/m over 20m	12g/m over 20m	12g/m over 25m	

### Global LCAC

Connectable Indoor Units	Compact Cassette ACT				Cassette 900×900 ACT				Slim Duct ADT				
	2.5kW	3.5kW	4.0kW	5.0kW	4.0kW	5.0kW	6.0kW	7.0kW	2.5kW	3.5kW	4.0kW	5.0kW	7.0kW
2AMW35U4RGC	●	●							●	●			
2AMW42U4RGC	●	●							●	●			
2AMW52U4RXC	●	●							●	●			
3AMW42U4RJC	●	●							●	●			
3AMW52U4RJC	●	●	●	●					●	●	●	●	
3AMW62U4RJC	●	●	●	●	●	●			●	●	●	●	
3AMW72U4RJC	●	●	●	●	●	●			●	●	●	●	
4AMW72U4RJC	●	●	●	●	●	●			●	●	●	●	
4AMW81U4RJC	●	●	●	●	●	●			●	●	●	●	
5AMW105U4RQC	●	●	●	●	●	●	●	●	●	●	●	●	●
AMW125U4SE+FI5(E)	●	●	●	●	●	●	●	●	●	●	●	●	●
AMW140U6SP+FI5(E)	●	●	●	●	●	●	●	●	●	●	●	●	●
AMW160U6SP+FI5(E)	●	●	●	●	●	●	●	●	●	●	●	●	●

Market Model				AMW125U4SE	AMW140U6SP	AMW160U6SP	
Factory Name				AMW-42U4SE	AMW-48U6SP	AMW-60U6SP	
Seasonal efficiency	Cooling	Pdesignc	W	12500	14200	16000	
		SEER	100%	238%	240%	239%	
		Annual energy consumption	—	726	817	926	
	Heating (Average)	Pdesignh	W	9500	11500	12000	
		SCOP	Btu/h	152%	157%	153%	
		Annual energy consumption	—	3423	4015	4313	
		Tbiv	°C	-7	-7	-7	
		Tol	°C	-10	-10	-10	
	Heating (Warmer)	Pdesignh	W	-	-	-	
		SCOP	Btu/h	-	-	-	
		Annual energy consumption	—	-	-	-	
		Tbiv	°C	-	-	-	
		Tol	°C	-	-	-	
	Cooling	Capacity	Nominal	W	12500	14200	16000
			min~max	W	3800~13500	4800~17000	4800~18000
EER		Nominal	W/W	3.21	3.36	2.97	
Heating	Capacity	Nominal	W	14500	16000	18000	
		min~max	W	3800~15000	4800~18000	4800~19000	
	COP	Nominal	W/W	3.62	3.34	3.31	
Noise	Sound Power	dB(A)	74	73	73		
Guaranteed Operating Range	Cooling	°C	7~43	7~45	7~45		
	Heating	°C	-10~24	-10~24	-10~24		
Rated power input	Max	W	5600	12500	12500		
Breaker size	Outdoor	A	32	32	32		
Net Dimension (WxHxD)	Outdoor	mm	950×1050×340	950×1386×340	950×1386×340		
Net Weight	Outdoor	kg	82	103	103		
Piping connections	Diameter (Liquid)	mm	9.52	9.52	9.52		
	Diameter (Gas)	mm	15.88	19.05	19.05		
	Max Length (Each)	m	Before connect with outdoor and indoor/ branch box, Do confirm the maximum allowed length of pipeline as TSM.				
	Max Length (Total)	m					
	Max Height	m					
Refrigerant-R410A	Pre-charged	g	2600	3350	3350		
	Upload additional refrigerant	g/m	Before connect with outdoor and indoor/ branch box, Do confirm the maximum allowed length of pipeline as TSM.				

Global LCAC															
Connectable Indoor Units	MSP Duct ADT				Slim Duct AMD					Console AKT				Ceiling Suspended AVT	
	4.0kW	5.0kW	6.0kW	7.0kW	2.5kW	3.5kW	5.0kW	7.0kW	7.8kW	2.5kW	3.5kW	4.0kW	5.0kW	6.0kW	7.0kW
2AMW35U4RGC										●	●				
2AMW42U4RGC										●	●				
2AMW52U4RXC										●	●				
3AMW42U4RJC										●	●				
3AMW52U4RJC	●	●								●	●	●	●		
3AMW62U4RJC	●	●								●	●	●	●		
3AMW72U4RJC	●	●								●	●	●	●		
4AMW72U4RJC	●	●								●	●	●	●		
4AMW81U4RJC	●	●								●	●	●	●		
5AMW105U4RQC	●	●	●	●						●	●	●	●	●	●
AMW125U4SE+FI5(E)	●	●	●	●	●	●	●	●		●	●	●	●	●	●
AMW140U6SP+FI5(E)	●	●	●	●	●	●	●	●	●	●	●	●	●	●	●
AMW160U6SP+FI5(E)	●	●	●	●	●	●	●	●	●	●	●	●	●	●	●

## Branch box for R410a systems



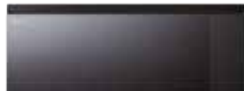
Model Name		F15E(E)
<b>Electrical Data</b>		
Power Supply		220-240/50&60/1~
Power Input	W	3
Current	A	0.05
Anti electric shock		Class I
Degrees of protection		IPX4
Pressure (max.)	MPa	4.15
Net Dimension (WxHxD)	mm	400×265×160
Net Weight	kg	7.4
Package Dimension (WxHxD)	mm	615×430×230
Gross Weight	kg	10
BRANCH BOX	Outer Diameter of Pipe	
	Gas (mm)	Liquid (mm)
To Outdoor Unit	15.88 (Adatper 19.05)	9.52
To Indoor Unit A	9.52	6.35
To Indoor Unit B	9.52	6.35
To Indoor Unit C	9.52	6.35
To Indoor Unit D	9.52	6.35
To Indoor Unit E	12.7	6.35

## Air Master (White)



EU Model Name		QK25WM0AG	QK35WM0AG	QK50FM0AG
Cooling capacity	W	2600	3500	5000
Heating capacity	W	3200	4000	5400
Air flow	m <sup>3</sup> /h	680	750	880
Noise Level (Sound Power)	dB(A)	53	55	58
Noise Level (Sound Pressure)	dB(A)	38/35/34/31/29/25	38/36/33/32/30/25	44/42/39/37/35/31
Net Dimension - Indoor Unit (WxHxD)	mm	830×310×215	830×310×215	830×310×215
Net Weight - Indoor Unit	kg	10	10	11
Diameter (Liquid)	mm	∅ 6.35 (1/4")	∅ 6.35 (1/4")	∅ 6.35 (1/4")
Diameter (Gas)	mm	∅ 9.52 (3/8")	∅ 9.52 (3/8")	∅ 12.7 (1/2")

## Air Master (Black)



EU Model Name		QK25WM0BG	QK35WM0BG	QK50FM0BG
Cooling capacity	W	2600	3500	5000
Heating capacity	W	3200	4000	5400
Air flow	m <sup>3</sup> /h	680	750	880
Noise Level (Sound Power)	dB(A)	53	55	58
Noise Level (Sound Pressure)	dB(A)	38/35/34/31/29/25	38/36/33/32/30/25	44/42/39/37/35/31
Net Dimension - Indoor Unit (WxHxD)	mm	830×310×215	830×310×215	830×310×215
Net Weight - Indoor Unit	kg	10	10	11
Diameter (Liquid)	mm	∅ 6.35 (1/4")	∅ 6.35 (1/4")	∅ 6.35 (1/4")
Diameter (Gas)	mm	∅ 9.52 (3/8")	∅ 9.52 (3/8")	∅ 12.7 (1/2")

## Fresh Air (White)



EU Model Name		QJ25XJ3AG	QJ35XJ3AG
Cooling capacity	W	2600	3500
Heating capacity	W	3200	4000
Air flow	m <sup>3</sup> /h	630	630
Noise Level (Sound Power)	dB(A)	58	58
Noise Level (Sound Pressure)	dB(A)	42/28	42/28
Net Dimension - Indoor Unit (WxHxD)	mm	980×330×178	980×330×178
Net Weight - Indoor Unit	kg	11	11
Diameter (Liquid)	mm	∅ 6.35 (1/4")	∅ 6.35 (1/4")
Diameter (Gas)	mm	∅ 9.52 (3/8")	∅ 9.52 (3/8")

## Fresh Air (Gold)



EU Model Name		QJ25XJ3GG	QJ35XJ3GG
Cooling capacity	W	2600	3500
Heating capacity	W	3200	4000
Air flow	m <sup>3</sup> /h	630	630
Noise Level (Sound Power)	dB(A)	58	58
Noise Level (Sound Pressure)	dB(A)	42/28	42/28
Net Dimension - Indoor Unit (WxHxD)	mm	980×330×178	980×330×178
Net Weight - Indoor Unit	kg	11	11
Diameter (Liquid)	mm	Ø 6.35 (1/4")	Ø 6.35 (1/4")
Diameter (Gas)	mm	Ø 9.52 (3/8")	Ø 9.52 (3/8")

## Fresh Air (Blue)



EU Model Name		QJ25XJ3BG	QJ35XJ3BG
Cooling capacity	W	2600	3500
Heating capacity	W	3200	4000
Air flow	m <sup>3</sup> /h	630	630
Noise Level (Sound Power)	dB(A)	58	58
Noise Level (Sound Pressure)	dB(A)	42/28	42/28
Net Dimension - Indoor Unit (WxHxD)	mm	980×330×178	980×330×178
Net Weight - Indoor Unit	kg	11	11
Diameter (Liquid)	mm	Ø 6.35 (1/4")	Ø 6.35 (1/4")
Diameter (Gas)	mm	Ø 9.52 (3/8")	Ø 9.52 (3/8")

## Energy Pro X (Black)



EU Model Name		QH25XV4BG	QH35XV4BG	QH50BV0BG
Cooling capacity	W	2600	3500	5000
Heating capacity	W	3200	4000	5200
Air flow	m <sup>3</sup> /h	580	630	650
Noise Level (Sound Power)	dB(A)	53	54	60
Noise Level (Sound Pressure)	dB(A)	38/25	38/25	44/32
Net Dimension - Indoor Unit (WxHxD)	mm	877×301×194	877×301×194	877×301×194
Net Weight - Indoor Unit	kg	10	10	10
Diameter (Liquid)	mm	Ø 6.35 (1/4")	Ø 6.35 (1/4")	Ø 6.35 (1/4")
Diameter (Gas)	mm	Ø 9.52 (3/8")	Ø 9.52 (3/8")	Ø 12.7 (1/2")

## Energy Pro X (White)



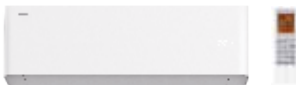
EU Model Name		QH25XV4AG	QH35XV4AG	QH50BV0AG
Cooling capacity	W	2600	3500	5000
Heating capacity	W	3200	4000	5200
Air flow	m <sup>3</sup> /h	580	630	650
Noise Level (Sound Power)	dB(A)	53	54	60
Noise Level (Sound Pressure)	dB(A)	38/25	38/25	44/32
Net Dimension - Indoor Unit (WxHxD)	mm	877×301×194	877×301×194	877×301×194
Net Weight - Indoor Unit	kg	10	10	10
Diameter (Liquid)	mm	∅ 6.35 (1/4")	∅ 6.35 (1/4")	∅ 6.35 (1/4")
Diameter (Gas)	mm	∅ 9.52 (3/8")	∅ 9.52 (3/8")	∅ 12.7 (1/2")

## Uni HA



EU Model Name		HA25XU00G	HA35XU00G	HA50BP00G	HA70KW00G
Cooling capacity	W	2600	3500	5000	7000
Heating capacity	W	3000	3900	5400	6700
Air flow	m <sup>3</sup> /h	680	680	950	1100
Noise Level (Sound Power)	dB(A)	57	57	60	64
Noise Level (Sound Pressure)	dB(A)	40/25	41/26	44/31	47/32
Net Dimension - Indoor Unit (WxHxD)	mm	850×291×203	850×291×203	972×300×226	1070×322×232
Net Weight - Indoor Unit	kg	9.5	9.5	11.5	13.0
Diameter (Liquid)	mm	∅ 6.35 (1/4")	∅ 6.35 (1/4")	∅ 6.35 (1/4")	∅ 9.52 (3/8")
Diameter (Gas)	mm	∅ 9.52 (3/8")	∅ 9.52 (3/8")	∅ 12.7 (1/2")	∅ 15.88 (5/8")

## Uni HB (White)



EU Model Name		HB25XU0AG	HB35XU0AG	HB50BP0AG	HB70KW0AG
Cooling capacity	W	2600	3500	5000	7000
Heating capacity	W	3000	3900	5400	6700
Air flow	m <sup>3</sup> /h	680	680	950	1100
Noise Level (Sound Power)	dB(A)	57	57	60	64
Noise Level (Sound Pressure)	dB(A)	40/25	41/26	44/31	47/32
Net Dimension - Indoor Unit (WxHxD)	mm	850×293×204	850×293×204	973×303×227	1070×322×232
Net Weight - Indoor Unit	kg	9.5	9.5	11.5	13.0
Diameter (Liquid)	mm	∅ 6.35 (1/4")	∅ 6.35 (1/4")	∅ 6.35 (1/4")	∅ 9.52 (3/8")
Diameter (Gas)	mm	∅ 9.52 (3/8")	∅ 9.52 (3/8")	∅ 12.7 (1/2")	∅ 15.88 (5/8")

## Uni HB (Black)



EU Model Name		HB25XU0BG	HB35XU0BG	HB50BP0BG	HB70KW0BG
Cooling capacity	W	2600	3500	5000	7000
Heating capacity	W	3000	3900	5400	6700
Air flow	m <sup>3</sup> /h	680	680	950	1100
Noise Level (Sound Power)	dB(A)	57	57	60	64
Noise Level (Sound Pressure)	dB(A)	40/25	41/26	44/31	47/32
Net Dimension - Indoor Unit (WxHxD)	mm	850×293×204	850×293×204	973×303×227	1070×322×232
Net Weight - Indoor Unit	kg	9.5	9.5	11.5	13.0
Diameter (Liquid)	mm	Ø 6.35 (1/4")	Ø 6.35 (1/4")	Ø 6.35 (1/4")	Ø 9.52 (3/8")
Diameter (Gas)	mm	Ø 9.52 (3/8")	Ø 9.52 (3/8")	Ø 12.7 (1/2")	Ø 15.88 (5/8")

## Max Comfort



EU Model Name		HC20LC00G	HC25YC00G	HC35WU00G	HC50XP00G	HC70FW00G
Cooling capacity	W	2200	2600	3500	5000	6500
Heating capacity	W	2400	2700	3800	5600	6800
Air flow	m <sup>3</sup> /h	500	550	580	1000	1100
Noise Level (Sound Power)	dB(A)	57	57	58	61	65
Noise Level (Sound Pressure)	dB(A)	38/24	40/24	40/26	44/31	47/32
Net Dimension - Indoor Unit (WxHxD)	mm	812×270×204	812×270×204	859×291×203	972×300×228	1086×320×232
Net Weight - Indoor Unit	kg	8.3	8.3	9	11.5	13
Diameter (Liquid)	mm	Ø 6.35 (1/4")	Ø 6.35 (1/4")	Ø 6.35 (1/4")	Ø 6.35 (1/4")	Ø 6.35 (1/4")
Diameter (Gas)	mm	Ø 9.52 (3/8")	Ø 9.52 (3/8")	Ø 9.52 (3/8")	Ø 12.7 (1/2")	Ø 12.7 (1/2")

## Ultra Comfort



EU Model Name		KE25YR4BG	KE35MR0BG	KE50XS1GG	KE70BT2BG
Cooling capacity	W	2600	3200	5000	6300
Heating capacity	W	2700	3300	5000	6800
Air flow	m <sup>3</sup> /h	550	550	880	1100
Noise Level (Sound Power)	dB(A)	57	59	60	65
Noise Level (Sound Pressure)	dB(A)	40/24	40/24	44/31	46/32
Net Dimension - Indoor Unit (WxHxD)	mm	835×256×195	835×256×195	933×300×216	1045×325×220
Net Weight - Indoor Unit	kg	7.7	7.7	11	11.5
Diameter (Liquid)	mm	Ø 6.35 (1/4")	Ø 6.35 (1/4")	Ø 6.35 (1/4")	Ø 9.52 (3/8")
Diameter (Gas)	mm	Ø 9.52 (3/8")	Ø 9.52 (3/8")	Ø 12.7 (1/2")	Ø 15.88 (5/8")

## Expert Comfort



HI-UVC



WiFi Control



Universal IDU



Hotel Menu



Power Statistic Display

EU Model Name		KF25YR4BG	KF35MR0BG	KF50XS1GG	KF70BT2BG
Cooling capacity	W	2600	3200	5000	6300
Heating capacity	W	2700	3300	5000	6800
Air flow	m <sup>3</sup> /h	550	550	880	1100
Noise Level (Sound Power)	dB(A)	57	59	60	65
Noise Level (Sound Pressure)	dB(A)	40/24	40/24	44/31	46/32
Net Dimension - Indoor Unit (WxHxD)	mm	829×256×200	829×256×200	921×300×222	1039×325×226
Net Weight - Indoor Unit	kg	7.7	7.7	11	11.5
Diameter (Liquid)	mm	∅ 6.35 (1/4")	∅ 6.35 (1/4")	∅ 6.35 (1/4")	∅ 9.52 (3/8")
Diameter (Gas)	mm	∅ 9.52 (3/8")	∅ 9.52 (3/8")	∅ 12.7 (1/2")	∅ 15.88 (5/8")

## Wings Comfort



Cold Plasma



WiFi Control



Universal IDU



Hotel Menu



Power Statistic Display

EU Model Name		KB25YR4BG	KB35MR0BG	KB50XS1GG	KB70BT2BG
Cooling capacity	W	2600	3200	5000	6300
Heating capacity	W	2700	3300	5000	6800
Air flow	m <sup>3</sup> /h	550	550	880	1100
Noise Level (Sound Power)	dB(A)	57	59	60	65
Noise Level (Sound Pressure)	dB(A)	40/24	40/24	44/31	46/32
Net Dimension - Indoor Unit (WxHxD)	mm	833×256×203	833×256×203	943×300×225	1039×325×237
Net Weight - Indoor Unit	kg	7.7	7.7	11	11.5
Diameter (Liquid)	mm	∅ 6.35 (1/4")	∅ 6.35 (1/4")	∅ 6.35 (1/4")	∅ 9.52 (3/8")
Diameter (Gas)	mm	∅ 9.52 (3/8")	∅ 9.52 (3/8")	∅ 12.7 (1/2")	∅ 15.88 (5/8")

## Hi-Smart



WiFi Control



Universal IDU



Hotel Menu  
(optional)



Power Statistic Display

EU Model Name		CF25LR02G	CF35LR03G	CF50XS1GG	CF70BT2BG
Cooling capacity	W	2600	3200	5000	6500
Heating capacity	W	2700	3400	5600	7100
Air flow	m <sup>3</sup> /h	550	550	880	1100
Noise Level (Sound Power)	dB(A)	57	58	60	65
Noise Level (Sound Pressure)	dB(A)	40/37/34/32/29/24	40/37/34/32/30/24	44/42/40/37/36/31	46/43/40/38/35/32
Net Dimension - Indoor Unit (WxHxD)	mm	795×256×197	795×256×197	890×300×223	998×325×225
Net Weight - Indoor Unit	kg	7.1	7.1	10	11.0
Diameter (Liquid)	mm	∅ 6.35 (1/4")	∅ 6.35 (1/4")	∅ 6.35 (1/4")	∅ 9.52 (3/8")
Diameter (Gas)	mm	∅ 9.52 (3/8")	∅ 9.52 (3/8")	∅ 12.7 (1/2")	∅ 15.88 (5/8")

## Easy Smart



EU Model Name		CA25LR03G	CA35LR03G	CA50XS1GG	CA70BT2BG
Cooling capacity	W	2600	3200	5000	6500
Heating capacity	W	2700	3400	5600	7100
Air flow	m <sup>3</sup> /h	550	550	880	1100
Noise Level (Sound Power)	dB(A)	57	58	60	65
Noise Level (Sound Pressure)	dB(A)	40/37/34/32/29/24	40/37/34/32/30/24	44/42/40/37/36/31	46/43/40/38/35/32
Net Dimension - Indoor Unit (WxHxD)	mm	790×255×200	790×255×200	890×300×220	998×325×225
Net Weight - Indoor Unit	kg	7.1	7.1	10	11.0
Diameter (Liquid)	mm	∅ 6.35 (1/4")	∅ 6.35 (1/4")	∅ 6.35 (1/4")	∅ 9.52 (3/8")
Diameter (Gas)	mm	∅ 9.52 (3/8")	∅ 9.52 (3/8")	∅ 12.7 (1/2")	∅ 15.88 (5/8")

## Compact Cassette



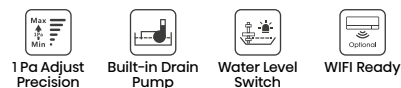
EU Model Name		ACT26UR4RCC8	ACT35UR4RCC8	ACT40UR4RCC8	ACT52UR4RCC8
Factory Name		ACT-09UR4RCC8	ACT-12UR4RCC8	ACT-14UR4RCC8	ACT-18UR4RCC8
Cooling capacity	W	2600	3500	4000	5000
Heating capacity	W	3200	4000	4500	5500
Air flow	m <sup>3</sup> /h	600/500/400	600/500/400	700/600/510	700/600/510
Noise Level (Sound Power)	dB(A)	54	54	57	57
Noise Level (Sound Pressure)	dB(A)	38/34/30	38/34/30	42/38/34	42/38/34
Net Dimension - Indoor Unit (WxHxD)	mm	570×215×570	570×215×570	570×215×570	570×215×570
Net Weight - Indoor Unit	kg	15.5	15.5	15.5	15.5
Diameter (Liquid)	mm	∅ 6.35 (1/4")	∅ 6.35 (1/4")	∅ 6.35 (1/4")	∅ 6.35 (1/4")
Diameter (Gas)	mm	∅ 9.52 (3/8")	∅ 9.52 (3/8")	∅ 12.7 (1/2")	∅ 12.7 (1/2")

## Cassette



EU Model Name		ACT40UR4RJC8	ACT52UR4RJC8	ACT60UR4RJC8	ACT71UR4RJC8
Factory Name		AUC-14UR4RJC8	AUC-18UR4RJC8	ACT-21UR4RJC8	ACT-24UR4RJC8
Cooling capacity	W	4000	5000	6000	7000
Heating capacity	W	4500	5500	7000	8000
Air flow	m <sup>3</sup> /h	1080/930/780	1080/930/780	1080/930/780	1080/930/780
Noise Level (Sound Power)	dB(A)	52	52	54	54
Noise Level (Sound Pressure)	dB(A)	40/38/37	40/38/37	43/40/37	43/40/37
Net Dimension - Indoor Unit (WxHxD)	mm	840×236×840	840×236×840	840×236×840	840×236×840
Net Weight - Indoor Unit	kg	23	23	23	23
Diameter (Liquid)	mm	∅ 6.35 (1/4")	∅ 6.35 (1/4")	∅ 9.52 (3/8")	∅ 9.52 (3/8")
Diameter (Gas)	mm	∅ 12.7 (1/2")	∅ 12.7 (1/2")	∅ 15.88 (5/8")	∅ 15.88 (5/8")

## Slim Duct (0~50Pa)



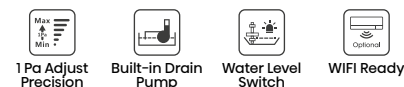
EU Model Name		ADT26UX4RBL8	ADT35UX4RBL8	ADT40UX4RCL8	ADT52UX4RCL8	ADT71U4RCL8
Factory Name		ADT-09UX4RBL8	ADT-12UX4RBL8	ADT-14UX4RCL8	ADT-18UX4RCL8	ADT-24UX4RCL8
Cooling capacity	W	2600	3500	4100	5000	7000
Heating capacity	W	3200	4000	4600	5500	8000
Air flow	m <sup>3</sup> /h	600/484/400	600/484/400	900/840/780	900/840/780	1000/900/800
Noise Level (Sound Power)	dB(A)	50	50	57	57	58
Noise Level (Sound Pressure)	dB(A)	36/33/30	36/33/30	41/37/33	41/37/33	42/38/34
Net Dimension - Indoor Unit (WxHxD)	mm	910×190×447	910×190×447	1180×190×447	1180×190×447	1180×190×447
Net Weight - Indoor Unit	kg	18	18	24.5	24.5	24.5
Diameter (Liquid)	mm	∅ 6.35 (1/4")	∅ 6.35 (1/4")	∅ 6.35 (1/4")	∅ 6.35 (1/4")	∅ 6.35 (1/4")
Diameter (Gas)	mm	∅ 9.52 (3/8")	∅ 9.52 (3/8")	∅ 12.7 (1/2")	∅ 12.7 (1/2")	∅ 12.7 (1/2")

## Slim Duct (0~30Pa R410A)



EU Model Name		NA	NA	NA	NA	NA
Factory Name		AMD-09UX4SAL	AMD-12UX4SAL	AMD-18UX4SBL	AMD-24UX4SCL	AMD-28UX4SCL
Cooling capacity	W	2700	3600	5200	7100	7800
Heating capacity	W	3000	3800	5500	7600	8500
Air flow	m <sup>3</sup> /h	500	500	800	1000	1100
Noise Level (Sound Power)	dB(A)	60	60	62	64	64
Noise Level (Sound Pressure)	dB(A)	35/33/31	35/33/31	37/36/34	40/36/34	40/36/34
Net Dimension (WxHxD)	mm	700×190×447	700×190×447	910×190×447	1180×190×447	1180×190×447
Net Weight	kg	16	16	19.5	24	24
Diameter (Liquid)	mm	∅ 6.35 (1/4")	∅ 6.35 (1/4")	∅ 6.35 (1/4")	∅ 6.35 (1/4")	∅ 9.52 (3/8")
Diameter (Gas)	mm	∅ 9.52 (3/8")	∅ 9.52 (3/8")	∅ 12.7 (1/2")	∅ 15.88 (5/8")	∅ 15.88 (5/8")

## MSP Duct (0~150Pa)



EU Model Name		ADT40UX4RGM8	ADT52UX4RGM8	ADT60UX4RFM8	ADT71UX4RFM8
Factory Name		ADT-14UX4RGM8	ADT-18UX4RGM8	ADT-21UX4RFM8	ADT-24UX4RFM8
Cooling capacity	W	4100	5000	6200	7000
Heating capacity	W	4600	5500	5500	5500
Air flow	m <sup>3</sup> /h	900/800/700	900/800/700	1250/1120/1000	1250/1120/1000
Noise Level (Sound Power)	dB(A)	51	51	54	54
Noise Level (Sound Pressure)	dB(A)	35/32/29	35/32/29	35/33/31	35/33/31
Net Dimension (WxHxD)	mm	800×245×700	800×245×700	1100×245×700	1100×245×700
Net Weight	kg	26	26	33.5/38.5	33.5/38.5
Diameter (Liquid)	mm	∅ 6.35 (1/4")	∅ 6.35 (1/4")	∅ 9.52 (3/8")	∅ 9.52 (3/8")
Diameter (Gas)	mm	∅ 12.7 (1/2")	∅ 12.7 (1/2")	∅ 15.88 (5/8")	∅ 15.88 (5/8")

## Console



EU Model Name		AKT26UR4RK8	AKT35UR4RK8	AKT40UR4RK8	AKT52UR4RK8
Factory Name		AKT-09UR4RK8	AKT-12UR4RK8	AKT-14UR4RK8	AKT-18UR4RK8
Cooling capacity	W	2600	3500	4100	4900
Heating capacity	W	3200	4000	4500	5000
Air flow	m <sup>3</sup> /h	600/510/440	600/510/440	700/600/470	700/600/470
Noise Level (Sound Power)	dB(A)	56	56	59	59
Noise Level (Sound Pressure)	dB(A)	40/35/33	40/35/33	44/40/35	44/40/35
Net Dimension - Indoor Unit (WxHxD)	mm	700×630×220	700×630×220	700×630×220	700×630×220
Net Weight - Indoor Unit	kg	15	15	15	15
Diameter (Liquid)	mm	∅ 6.35 (1/4")	∅ 6.35 (1/4")	∅ 6.35 (1/4")	∅ 6.35 (1/4")
Diameter (Gas)	mm	∅ 9.52 (3/8")	∅ 9.52 (3/8")	∅ 12.7 (1/2")	∅ 12.7 (1/2")

## Ceiling Suspended



EU Model Name		AVT60UR4RB8	AVT71UR4RB8
Factory Name		AVT-21UR4RB8	AVT-24UR4RB8
Cooling capacity	W	6200	7000
Heating capacity	W	7300	8000
Air flow	m <sup>3</sup> /h	1400/1200/1000	1400/1200/1000
Noise Level (Sound Power)	dB(A)	65	65
Noise Level (Sound Pressure)	dB(A)	50/46/42	50/46/42
Net Dimension - Indoor Unit (WxHxD)	mm	1285×680×230	1285×680×230
Net Weight - Indoor Unit	kg	37	37
Diameter (Liquid)	mm	∅ 9.52 (3/8")	∅ 9.52 (3/8")
Diameter (Gas)	mm	∅ 15.88 (5/8")	∅ 15.88 (5/8")



# COMBINATION TABLE

## ■ 2AMW35U4RGC/AMW2-12U4RGC

Combination of Indoor Units	Cooling Capacity																
	A	B	C	D	E	Total Capacity (W)			Power Input (W)			EER	(A)	Pdc (W)	SEER	Energy class	Qce
	W	W	W	W	W	NOM	MIN	MAX	NOM	MIN	MAX	W/W					
9	2500					2500	1000	3200	700	330	1500	3.57	3.1	2500	7.00	A++	125
12	3500					3500	1000	3800	1000	330	1500	3.50	4.4	3500	7.10	A++	173
05+05	1550	1550				3100	1000	3800	770	330	2300	4.03	3.4	3100	7.70	A++	141
05+07	1450	2050				3500	1000	4500	820	330	2300	4.27	3.6	3500	7.80	A++	157
05+09	1250	2250				3500	1000	4500	800	330	2300	4.38	3.5	3500	8.00	A++	153
05+12	1030	2470				3500	1000	4500	790	330	2300	4.43	3.5	3500	8.00	A++	153
07+07	1750	1750				3500	1000	4500	790	330	2300	4.43	3.5	3500	8.00	A++	153
07+09	1650	1850				3500	1000	4500	780	330	2300	4.49	3.4	3500	8.00	A++	153
09+09	1750	1750				3500	1000	4500	770	330	2300	4.55	3.4	3500	8.10	A++	151

## ■ 2AMW42U4RGC/AMW2-14U4RGC

Combination of Indoor Units	Cooling Capacity																
	A	B	C	D	E	Total Capacity (W)			Power Input (W)			EER	(A)	Pdc (W)	SEER	Energy class	Qce
	W	W	W	W	W	NOM	MIN	MAX	NOM	MIN	MAX	W/W					
9	2500					2500	1000	3200	700	330	1500	3.57	3.1	2500	7.00	A++	125
12	3500					3500	1000	3800	1000	330	1500	3.50	4.4	3500	7.10	A++	173
05+07	1500	2000				3500	1000	3800	770	330	2300	4.55	3.4	3500	7.50	A++	163
05+09	1950	2150				4100	1000	5500	950	330	2300	4.32	4.2	4100	7.60	A++	189
05+12	1900	2200				4100	1000	5500	950	330	2300	4.32	4.2	4100	7.80	A++	217
07+07	2050	2050				4100	1000	5500	950	330	2300	4.32	4.2	4100	7.60	A++	189
07+09	1900	2200				4100	1000	5500	950	330	2300	4.32	4.2	4100	7.80	A++	184
07+12	1800	2300				4100	1000	5500	920	330	2300	4.46	4.0	4100	8.00	A++	179
09+09	2050	2050				4100	1000	5500	920	330	2300	4.46	4.0	4100	8.00	A++	179
09+12	2000	2100				4100	1000	5500	920	330	2300	4.46	4.0	4100	8.00	A++	179

## ■ 2AMW52U4RXC/AMW2-18U4RXC

Combination of Indoor Units	Cooling Capacity																
	A	B	C	D	E	Total Capacity (W)			Power Input (W)			EER	(A)	Pdc (W)	SEER	Energy class	Qce
	W	W	W	W	W	NOM	MIN	MAX	NOM	MIN	MAX	W/W					
05+09	1500	2500				4000	1200	5000	1000	390	2000	4.00	4.4	4000	7.40	A++	189
05+12	1500	3500				5000	1200	6600	1260	390	2500	4.00	5.5	5000	7.60	A++	230
07+07	2000	2000				4000	1200	5000	1000	390	2000	4.00	4.4	4000	7.40	A++	189
07+09	2000	2500				4500	1200	6000	1150	390	2300	3.91	5.1	4500	7.50	A++	210
07+12	2000	3000				5000	1200	6600	1260	390	2500	3.97	5.5	5000	7.50	A++	233
09+09	2500	2500				5000	1200	6600	1245	390	2500	4.02	5.5	5000	7.60	A++	230
09+12	2300	2700				5000	1200	6600	1245	390	2500	4.02	5.5	5000	7.65	A++	229
12+12	2500	2500				5000	1200	6600	1245	390	2500	4.02	5.5	5000	7.65	A++	229

Combination of Indoor Units	Heating Capacity																				
	A	B	C	D	E	Total Capacity (W)			Power Input (W)			COP	(A)	Average				Warmer			
	W	W	W	W	W	NOM	MIN	MAX	NOM	MIN	MAX	W/W		Pdh (W)	SCOP	Class	Qhe	Pdh (W)	SCOP	Class	Qhe
9	3000					3000	1000	3500	800	200	1500	3.75	3.5	2500	4.00	A+	875	3000	5.31	A+++	791
12	4000					4000	1000	4500	1000	200	1500	4.00	4.4	2500	4.00	A+	875	3000	5.31	A+++	791
05+05	1700	1700				3400	1000	4250	830	200	2000	4.10	3.6	3000	4.10	A+	1024	3000	5.31	A+++	791
05+07	1700	2300				4000	1000	5000	900	200	2300	4.44	4.0	3500	4.10	A+	1195	3500	5.31	A+++	923
05+09	1600	2400				4000	1000	5000	870	200	2300	4.60	3.8	3500	4.10	A+	1195	3500	5.31	A+++	923
05+12	1500	2500				4000	1000	5000	850	200	2300	4.71	3.7	3500	4.30	A+	1140	3500	5.31	A+++	923
07+07	2000	2000				4000	1000	5000	870	200	2300	4.60	3.8	3500	4.10	A+	1195	3500	5.31	A+++	923
07+09	1800	2200				4000	1000	5000	850	200	2300	4.71	3.7	3500	4.30	A+	1140	3500	5.31	A+++	923
09+09	2000	2000				4000	1000	5000	830	200	2300	4.82	3.6	3500	4.40	A+	1114	3500	5.31	A+++	923

Combination of Indoor Units	Heating Capacity																				
	A	B	C	D	E	Total Capacity (W)			Power Input (W)			COP	(A)	Average				Warmer			
	W	W	W	W	W	NOM	MIN	MAX	NOM	MIN	MAX	W/W		Pdh (W)	SCOP	Class	Qhe	Pdh (W)	SCOP	Class	Qhe
9	3000					3000	1000	3500	800	200	1500	3.75	3.5	2500	4.00	A+	875	3000	5.31	A+++	791
12	4000					4000	1000	4500	1000	200	1500	4.00	4.4	2500	4.00	A+	875	3000	5.31	A+++	791
05+07	1700	2300				4000	1000	5000	1000	200	2300	4.00	4.4	3200	4.10	A+	1093	3200	5.31	A+++	844
05+09	2150	2350				4500	1000	6000	990	200	2300	4.55	4.3	3500	4.10	A+	1195	3500	5.31	A+++	923
05+12	2100	2400				4500	1000	6000	970	200	2300	4.64	4.3	3500	4.30	A+	1427	3500	5.31	A+++	923
07+07	2250	2250				4500	1000	6000	990	200	2300	4.55	4.3	3500	4.10	A+	1195	3500	5.31	A+++	923
07+09	2100	2400				4500	1000	6000	970	200	2300	4.64	4.3	3500	4.30	A+	1140	3500	5.31	A+++	923
07+12	2000	2500				4500	1000	6000	950	200	2300	4.74	4.2	3500	4.40	A+	1114	3500	5.31	A+++	923
09+09	2250	2250				4500	1000	6000	950	200	2300	4.74	4.2	3500	4.40	A+	1114	3500	5.31	A+++	923
09+12	2150	2350				4500	1000	6000	950	200	2300	4.74	4.2	3500	4.60	A++	1065	3500	5.31	A+++	923

Combination of Indoor Units	Heating Capacity																				
	A	B	C	D	E	Total Capacity (W)			Power Input (W)			COP	(A)	Average				Warmer			
	W	W	W	W	W	NOM	MIN	MAX	NOM	MIN	MAX	W/W		Pdh (W)	SCOP	Class	Qhe	Pdh (W)	SCOP	Class	Qhe
05+09	1800	2800				4600	1200	6500	1200	290	2000	3.83	5.3	4000	4.10	A+	1366	4000	5.31	A+++	1055
05+12	1800	3200				5000	1200	7000	1300	290	2300	3.85	5.7	4500	4.30	A+	1465	4500	5.31	A+++	1186
07+07	2300	2300				4600	1200	6500	1200	290	2000	3.83	5.3	4000	4.10	A+	1366	4000	5.31	A+++	1055
07+09	2300	2700				5000	1200	6700	1300	290	2300	3.85	5.7	4500	4.30	A+	1465	4500	5.31	A+++	1186
07+12	2000	3500				5500	1200	7000	1300	290	2500	4.23	5.7	4500	4.30	A+	1465	4500	5.31	A+++	1186
09+09	2750	2750				5500	1200	7000	1300	290	2500	4.23	5.7	4500	4.40	A+	1432	4500	5.31	A+++	1186
09+12	2500	3000				5500	1200	7000	1290	290	2500	4.26	5.7	4500	4.60	A++	1370	4500	5.31	A+++	1186
12+12	2750	2750				5500	1200	7000	1280	290	2500	4.30	5.6	4500	4.62	A++	1364	4500	5.31	A+++	1186

■ 3AMW42U4RJC/AMW3-14U4RJC

Combination of Indoor Units	Cooling Capacity																
	A	B	C	D	E	Total Capacity (W)			Power Input (W)			EER	(A)	Pdc (W)	SEER	Energy class	Qce
	W	W	W	W	W	NOM	MIN	MAX	NOM	MIN	MAX	W/W					
05+05	1500	1500				3000	1600	6000	780	400	2500	3.85	3.4	3000	7.50	A++	140
05+07	1500	2100				3600	1600	7000	800	400	2800	4.50	3.5	3600	7.70	A++	164
05+09	1400	2800				4200	1600	8200	840	400	3200	5.00	3.7	4200	8.00	A++	184
05+12	1000	3200				4200	1600	8200	840	400	3200	5.00	3.7	4200	8.00	A++	184
07+07	2100	2100				4200	1600	8200	840	400	3200	5.00	3.7	4200	8.00	A++	184
07+09	1800	2400				4200	1600	8200	840	400	3200	5.00	3.7	4200	8.00	A++	184
07+12	1200	3000				4200	1600	8200	840	400	3200	5.00	3.7	4200	8.00	A++	184
09+09	2100	2100				4200	1600	8200	840	400	3200	5.00	4.0	4200	8.00	A++	184
09+12	1800	2400				4200	1600	8200	830	400	3200	5.06	3.6	4200	8.10	A++	181
12+12	2100	2100				4200	1600	8200	820	400	3200	5.12	3.6	4200	8.20	A++	179
05+05+05	1400	1400	1400			4200	1600	8200	840	400	3200	5.00	3.7	4200	8.00	A++	184
05+05+07	1300	1300	1600			4200	1600	8200	840	400	3200	5.00	3.7	4200	8.00	A++	184
05+05+09	1250	1250	1700			4200	1600	8200	840	400	3200	5.00	3.7	4200	8.00	A++	184
05+07+07	1200	1500	1500			4200	1600	8200	840	400	3200	5.00	3.7	4200	8.00	A++	184
05+07+09	1200	1350	1650			4200	1600	8200	840	400	3200	5.00	3.7	4200	8.00	A++	184
05+07+12	1200	1300	1700			4200	1600	8200	830	400	3200	5.06	3.6	4200	8.10	A++	181
05+09+09	1100	1550	1550			4200	1600	8200	830	400	3200	5.06	3.6	4200	8.10	A++	181
07+07+07	1400	1400	1400			4200	1600	8200	830	400	3200	5.06	3.6	4200	8.10	A++	181
07+07+09	1300	1300	1600			4200	1600	8200	830	400	3200	5.06	3.6	4200	8.10	A++	181
07+07+12	1200	1200	1800			4200	1600	8200	830	400	3200	5.06	3.6	4200	8.10	A++	181
07+09+09	1000	1600	1600			4200	1600	8200	830	400	3200	5.06	3.6	4200	8.10	A++	181

■ 3AMW52U4RJC/AMW3-18U4RJC

Combination of Indoor Units	Cooling Capacity																
	A	B	C	D	E	Total Capacity (W)			Power Input (W)			EER	(A)	Pdc (W)	SEER	Energy class	Qce
	W	W	W	W	W	NOM	MIN	MAX	NOM	MIN	MAX	W/W					
05+09	1500	2600				4100	1600	7000	1100	400	2500	3.73	4.8	4100	7.10	A++	202
05+12	1500	3500				5000	1600	7800	1150	400	3000	4.35	5.0	5000	7.10	A++	246
05+18	1100	4100				5200	1600	8200	1209	400	3200	4.30	5.3	5200	7.10	A++	256
07+07	2100	2100				4200	1600	7000	1100	400	2500	3.82	4.8	4200	7.50	A++	196
07+09	2100	2600				4700	1600	7500	1140	400	2700	4.12	5.0	4700	7.50	A++	219
07+12	2000	3200				5200	1600	8200	1209	400	3200	4.30	5.3	5200	7.50	A++	243
07+18	1500	3700				5200	1600	8200	1209	400	3200	4.30	5.3	5200	7.50	A++	243
09+09	2600	2600				5200	1600	8200	1209	400	3200	4.30	5.3	5200	8.10	A++	225
09+12	2200	3000				5200	1600	8200	1209	400	3200	4.30	5.3	5200	8.10	A++	225
09+18	1500	3700				5200	1600	8200	1209	400	3200	4.30	5.3	5200	8.10	A++	225
12+12	2600	2600				5200	1600	8200	1209	400	3200	4.30	5.3	5200	8.10	A++	225
12+18	2000	3200				5200	1600	8200	1209	400	3200	4.30	5.3	5200	8.10	A++	225
05+05+05	1500	1500	1500			4500	1600	7500	1200	400	2600	3.75	5.2	4500	7.10	A++	222
05+05+07	1500	1500	2100			5100	1600	8000	1200	400	3000	4.25	5.2	5100	7.20	A++	248
05+05+09	1450	1450	2300			5200	1600	8200	1200	400	3200	4.33	5.2	5200	7.20	A++	253
05+05+12	1150	1150	2900			5200	1600	8200	1200	400	3200	4.33	5.2	5200	7.20	A++	253
05+05+18	1000	1000	3200			5200	1600	8200	1200	400	3200	4.33	5.2	5200	7.20	A++	253
05+07+07	1300	1950	1950			5200	1600	8200	1200	400	3200	4.33	5.2	5200	7.20	A++	253
05+07+09	1150	1750	2300			5200	1600	8200	1200	400	3200	4.33	5.2	5200	7.20	A++	253
05+07+12	1000	1400	2800			5200	1600	8200	1200	400	3200	4.33	5.2	5200	7.20	A++	253
05+07+18	900	1200	3100			5200	1600	8200	1200	400	3200	4.33	5.2	5200	7.20	A++	253
05+09+09	1000	2100	2100			5200	1600	8200	1200	400	3200	4.33	5.2	5200	7.20	A++	253
05+09+12	900	1700	2600			5200	1600	8200	1200	400	3200	4.33	5.2	5200	7.20	A++	253
05+12+12	800	2200	2200			5200	1600	8200	1200	400	3200	4.33	5.2	5200	7.20	A++	253
07+07+07	1733	1733	1734			5200	1600	8200	1200	400	3200	4.33	5.2	5200	7.20	A++	253
07+07+09	1600	1600	2000			5200	1600	8200	1200	400	3200	4.33	5.2	5200	7.20	A++	253
07+07+12	1300	1300	2600			5200	1600	8200	1200	400	3200	4.33	5.2	5200	7.50	A++	243
07+09+09	1400	1900	1900			5200	1600	8200	1200	400	3200	4.33	5.2	5200	7.50	A++	243
07+09+12	1000	1900	2300			5200	1600	8200	1200	400	3200	4.33	5.2	5200	7.50	A++	243
09+09+09	1733	1733	1734			5200	1600	8200	1150	400	3200	4.52	5.0	5200	8.20	A++	222
09+09+12	1650	1650	1900			5200	1600	8200	1150	400	3200	4.52	5.0	5200	8.20	A++	222

Combination of Indoor Units	Heating Capacity																				
	A	B	C	D	E	Total Capacity (W)			Power Input (W)			COP	(A)	Average				Warmer			
	W	W	W	W	W	NOM	MIN	MAX	NOM	MIN	MAX	W/W		Pdh (W)	SCOP	Class	Qhe	Pdh (W)	SCOP	Class	Qhe
05+05	2000	2000				4000	1300	6500	1000	400	2200	4.00	4.4	4000	4.20	A+	1333	4000	5.31	A+++	1055
05+07	2000	2400				4400	1300	7500	1030	400	2200	4.27	4.5	4500	4.30	A+	1465	4500	5.31	A+++	1186
05+09	1800	2800				4600	1300	8500	1045	400	2500	4.40	4.6	5000	4.40	A+	1591	5000	5.31	A+++	1318
05+12	1600	3000				4600	1300	8500	1045	400	2600	4.40	4.6	5000	4.40	A+	1591	5000	5.31	A+++	1318
07+07	2300	2300				4600	1300	8500	1045	400	2500	4.40	4.6	5000	4.40	A+	1427	5000	5.31	A+++	1318
07+09	1700	2900				4600	1300	8500	1045	400	2600	4.40	4.6	5000	4.40	A+	1591	5000	5.31	A+++	1318
07+12	1500	3100				4600	1300	8500	1045	400	2650	4.40	4.6	5000	4.40	A+	1591	5000	5.31	A+++	1318
09+09	2300	2300				4600	1300	8500	1045	400	2600	4.40	4.6	5000	4.40	A+	1591	5000	5.31	A+++	1318
09+12	1800	2800				4600	1300	8500	1040	400	2650	4.42	4.6	5000	4.50	A+	1556	5000	5.31	A+++	1318
12+12	2300	2300				4600	1300	8500	1035	400	2800	4.44	4.5	5000	4.50	A+	1556	5000	5.31	A+++	1318
05+05+05	1535	1535	1535			4600	1300	8500	1045	400	2300	4.40	4.6	5000	4.40	A+	1591	5000	5.31	A+++	1318
05+05+07	1300	1300	2000			4600	1300	8500	1045	400	2350	4.40	4.6	5000	4.40	A+	1591	5000	5.31	A+++	1318
05+05+09	1200	1200	2200			4600	1300	8500	1045	400	2500	4.40	4.6	5000	4.40	A+	1591	5000	5.31	A+++	1318
05+07+07	1000	1800	1800			4600	1300	8500	1045	400	2350	4.40	4.6	5000	4.40	A+	1591	5000	5.31	A+++	1318
05+07+09	1200	1600	1800			4600	1300	8500	1045	400	2550	4.40	4.6	5000	4.40	A+	1591	5000	5.31	A+++	1318
05+07+12	1100	1500	2000			4600	1300	8500	1040	400	2600	4.42	4.6	5000	4.50	A+	1556	5000	5.31	A+++	1318
05+09+09	900	1850	1850			4600	1300	8500	1040	400	2500	4.42	4.6	5000	4.50	A+	1556	5000	5.31	A+++	1318
07+07+07	1535	1535	1535			4600	1300	8500	1040	400	2300	4.42	4.6	5000	4.50	A+	1556	5000	5.31	A+++	1318
07+07+09	1300	1300	2000			4600	1300	8500	1040	400	2500	4.42	4.6	5000	4.50	A+	1556	5000	5.31	A+++	1318
07+07+12	1200	1200	2200			4600	1300	8500	1040	400	2550	4.42	4.6	5000	4.50	A+	1556	5000	5.31	A+++	1318
07+09+09	1000	1800	1800			4600	1300	8500	1040	400	2500	4.42	4.6	5000	4.50	A+	1556	5000	5.31	A+++	1318

Combination of Indoor Units	Heating Capacity																				
	A	B	C	D	E	Total Capacity (W)			Power Input (W)			COP	(A)	Average				Warmer			
	W	W	W	W	W	NOM	MIN	MAX	NOM	MIN	MAX	W/W		Pdh (W)	SCOP	Class	Qhe	Pdh (W)	SCOP	Class	Qhe
05+09	2000	3000				5000	1300	7000	1450	400	2500	3.45	6.4	4000	4.20	A+	1333	4000	5.31	A+++	1055
05+12	2000	3700				5700	1300	7600	1500	400	2600	3.80	6.6	4500	4.30	A+	1465	4500	5.31	A+++	1186
05+18	1800	4200				6000	1300	8500	1500	400	2800	4.00	6.6	5000	4.40	A+	1591	5000	5.31	A+++	1318
07+07	2600	2600				5200	1300	7000	1450	400	2500	3.59	6.4	4000	4.20	A+	1333	4000	5.31	A+++	1055
07+09	2600	3000				5600	1300	7500	1500	400	2600	3.73	6.6	4500	4.30	A+	1465	4500	5.31	A+++	1186
07+12	2600	3400				6000	1300	8500	1580	400	2650	3.80	6.9	5000	4.40	A+	1591	5000	5.31	A+++	1318
07+18	1900	4100				6000	1300	8500	1500	400	2800	4.00	6.6	5000	4.40	A+	1591	5000	5.31	A+++	1318
09+09	3000	3000				6000	1300	8500	1500	400	3200	4.00	6.6	5000	4.40	A+	1591	5000	5.31	A+++	1318
09+12	2700	3300				6000	1300	8500	1500	400	3200	4.00	6.6	5000	4.40	A+	1591	5000	5.31	A+++	1318
09+18	2000	4000				6000	1300	8500	1500	400	3200	4.00	6.6	5000	4.40	A+	1591	5000	5.31	A+++	1318
12+12	3000	3000				6000	1300	8500	1500	400	3200	4.00	6.6	5000	4.40	A+	1591	5000	5.31	A+++	1318
12+18	2300	3700				6000	1300	8500	1500	400	3200	4.00	6.6	5000	4.40	A+	1591	5000	5.31	A+++	1318
05+05+05	1900	1900	1900			5700	1300	7500	1450	400	3200	3.93	6.4	4500	4.40	A+	1432	4500	5.31	A+++	1186
05+05+07	1800	1800	2400			6000	1300	8000	1500	400	3200	4.00	6.6	4500	4.40	A+	1432	4500	5.31	A+++	1186
05+05+09	1700	1700	2600			6000	1300	8500	1500	400	3200	4.00	6.6	5000	4.40	A+	1591	5000	5.31	A+++	1318
05+05+12	1350	1350	3300			6000	1300	8500	1500	400	3200	4.00	6.6	5000	4.40	A+	1591	5000	5.31	A+++	1318
05+05+18	1300	1300	3400			6000	1300	8500	1500	400	3200	4.00	6.6	5000	4.40	A+	1591	5000	5.31	A+++	1318
05+07+07	1200	2400	2400			6000	1300	8500	1500	400	3200	4.00	6.6	5000	4.40	A+	1591	5000	5.31	A+++	1318
05+07+09	1000	2300	2700			6000	1300	8500	1500	400	3200	4.00	6.6	5000	4.40	A+	1591	5000	5.31	A+++	1318
05+07+12	900	2200	2900			6000	1300	8500	1500	400	3200	4.00	6.6	5000	4.40	A+	1591	5000	5.31	A+++	1318
05+07+18	900	1900	3200			6000	1300	8500	1500	400	3200	4.00	6.6	5000	4.40	A+	1591	5000	5.31	A+++	1318
05+09+09	900	2550	2550			6000	1300	8500	1500	400	3200	4.00	6.6	5000	4.40	A+	1591	5000	5.31	A+++	1318
05+09+12	900	2500	2600			6000	1300	8500	1500	400	3200	4.00	6.6	5000	4.40	A+	1591	5000	5.31	A+++	1318
05+12+12	900	2550	2550			6000	1300	8500	1500	400	3200	4.00	6.6	5000	4.40	A+	1591	5000	5.31	A+++	1318
07+07+07	2000	2000	2000			6000	1300	8500	1500	400	3200	4.00	6.6	5000	4.40	A+	1591	5000	5.31	A+++	1318
07+07+09	1800	1800	2400			6000	1300	8500	1500	400	3200	4.00	6.6	5000	4.40	A+	1591	5000	5.31	A+++	1318
07+07+12	1700	1700	2600			6000	1300	8500	1500	400	3200	4.00	6.6	5000	4.40	A+	1591	5000	5.31	A+++	1318
07+09+09	1600	2200	2200			6000	1300	8500	1500	400	3200	4.00	6.6	5000	4.40	A+	1591	5000	5.31	A+++	1318
07+09+12	1550	2150	2300			6000	1300	8500	1500	400	3200	4.00	6.6	5000	4.40	A+	1591	5000	5.31	A+++	1318
09+09+09	2000	2000	2000			6000	1300	8500	1450	400	3200	4.14	6.4	5000	4.60	A++	1522	5000	5.31	A+++	1318
09+09+12	1950	1950	2100			6000	1300	8500	1450	400	3200	4.14	6.4	5000	4.60	A++	1522	5000	5.31	A+++	1318

■ 3AMW62U4RJC/AMW3-21U4RJC

Combination of Indoor Units	Cooling Capacity																
	A	B	C	D	E	Total Capacity (W)			Power Input (W)			EER	(A)	Pdc (W)	SEER	Energy class	Qce
	W	W	W	W	W	NOM	MIN	MAX	NOM	MIN	MAX	W/W					
05+12	1500	3500				5000	2000	8000	1300	500	3000	3.85	5.7	5000	7.50	A++	233
05+18	1500	4800				6300	2000	9000	1470	500	3900	4.29	6.5	6300	8.00	A++	276
07+09	2000	2500				4500	2000	8000	1300	500	3000	3.46	5.7	4500	8.00	A++	197
07+12	2000	3500				5500	2000	8500	1400	500	3500	3.93	6.1	5500	7.70	A++	250
07+18	2000	4300				6300	2000	9000	1470	500	3900	4.29	6.5	6300	8.00	A++	276
09+09	2500	2500				5000	2000	8000	1300	500	3000	3.85	5.7	5000	7.70	A++	227
09+12	2500	3500				6000	2000	9000	1470	500	3900	4.08	6.5	6000	8.00	A++	263
09+18	2300	4000				6300	2000	9000	1470	500	3900	4.29	6.5	6300	8.00	A++	276
12+12	3150	3150				6300	2000	9000	1470	500	3900	4.29	6.5	6300	8.00	A++	276
12+18	2500	3800				6300	2000	9000	1470	500	3900	4.29	6.5	6300	8.00	A++	276
05+05+07	1500	1500	2000			5000	2000	8000	1300	500	3000	3.85	5.7	5000	8.00	A++	219
05+05+09	1500	1500	2500			5500	2000	8500	1400	500	3500	3.93	6.1	5500	7.70	A++	250
05+05+12	1500	1500	3300			6300	2000	9000	1470	500	3900	4.29	6.5	6300	8.00	A++	276
05+05+18	1200	1200	3900			6300	2000	9000	1470	500	3900	4.29	6.5	6300	8.00	A++	276
05+07+07	1500	2000	2000			5500	2000	8500	1400	500	3500	3.93	6.1	5500	7.70	A++	250
05+07+09	1500	2000	2500			6000	2000	9000	1470	500	3900	4.08	6.5	6000	7.70	A++	273
05+07+12	1400	1900	3000			6300	2000	9000	1470	500	3900	4.29	6.5	6300	8.00	A++	276
05+07+18	1100	1300	4000			6400	2000	9000	1470	500	3900	4.35	6.5	6400	8.00	A++	280
05+09+09	1500	2400	2400			6300	2000	9000	1470	500	3900	4.29	6.5	6300	7.80	A++	283
05+09+12	1200	2000	3100			6300	2000	9000	1470	500	3900	4.29	6.5	6300	8.00	A++	276
05+09+18	1000	1900	3400			6300	2000	9000	1470	500	3900	4.29	6.5	6300	7.80	A++	283
07+07+07	2100	2100	2100			6300	2000	9000	1470	500	3900	4.29	6.5	6300	7.80	A++	283
07+07+09	2000	2000	2300			6300	2000	9000	1470	500	3900	4.29	6.5	6300	7.80	A++	283
07+07+12	1800	1800	2700			6300	2000	9000	1470	500	3900	4.29	6.5	6300	8.00	A++	276
07+07+18	1500	1500	3300			6300	2000	9000	1470	500	3900	4.29	6.5	6300	8.10	A++	272
07+09+09	1700	2300	2300			6300	2000	9000	1470	500	3900	4.29	6.5	6300	8.00	A++	276
07+09+12	1500	2000	2800			6300	2000	9000	1470	500	3900	4.29	6.5	6300	8.05	A++	274
07+09+18	1500	2000	2800			6300	2000	9000	1470	500	3900	4.29	6.5	6300	8.10	A++	272
07+12+12	1300	2500	2500			6300	2000	9000	1470	500	3900	4.29	6.5	6300	8.10	A++	272
07+12+18	1200	2300	2800			6300	2000	9000	1470	500	3900	4.29	6.5	6300	8.00	A++	276
09+09+09	2100	2100	2100			6300	2000	9000	1470	500	3900	4.29	6.5	6300	8.00	A++	276
09+09+12	2000	2000	2300			6300	2000	9000	1470	500	3900	4.29	6.5	6300	8.05	A++	274

■ 3AMW72U4RJC/AMW3-24U4RJC

Combination of Indoor Units	Cooling Capacity																
	A	B	C	D	E	Total Capacity (W)			Power Input (W)			EER	(A)	Pdc (W)	SEER	Energy class	Qce
	W	W	W	W	W	NOM	MIN	MAX	NOM	MIN	MAX	W/W					
05+18	1500	5000				6500	2000	9000	1660	500	3500	3.92	7.5	6500	7.60	A++	299
07+09	2000	2500				4500	2000	8000	1300	440	2200	3.46	5.9	4500	7.00	A++	225
07+12	2000	3500				5500	2000	8000	1450	460	2550	3.79	6.6	5500	7.20	A++	267
07+18	2000	5000				7000	2000	10000	1750	500	3900	4.00	7.9	7000	7.70	A++	318
09+09	2500	2500				5000	2000	7000	1400	460	2200	3.57	6.3	5000	7.10	A++	246
09+12	2500	3500				6000	2000	8000	1570	500	3000	3.82	7.1	6000	7.60	A++	276
09+18	2500	4500				7000	2000	10000	1750	500	3900	4.00	7.9	7000	7.70	A++	318
12+12	3500	3500				7000	2000	10000	1750	500	3900	4.00	7.9	7000	7.70	A++	318
12+18	2800	4200				7000	2000	10000	1730	500	3900	4.05	7.5	7000	7.85	A++	312
18+18	3500	3500				7000	2000	10000	1710	500	3900	4.09	7.4	7000	7.90	A++	310
05+05+09	1500	1500	2500			5500	2000	8000	1450	580	2950	3.79	6.6	5500	7.20	A++	267
05+05+12	1500	1500	3500			6500	2000	9000	1660	500	3500	3.92	7.5	6500	7.70	A++	295
05+05+18	1300	1300	4400			7000	2000	10000	1750	500	3900	4.00	7.9	7000	7.80	A++	314
05+07+07	1500	2000	2000			5500	2000	8000	1450	610	2950	3.79	6.6	5500	7.20	A++	267
05+07+09	1500	2000	2500			6000	2000	8000	1570	500	3000	3.82	7.1	6000	7.60	A++	276
05+07+12	1500	2000	3500			7000	2000	10000	1750	500	3900	4.00	7.9	7000	7.80	A++	314
05+07+18	1200	1800	4000			7000	2000	10000	1730	500	3900	4.05	7.5	7000	7.85	A++	312
05+09+09	1500	2500	2500			6500	2000	9000	1660	500	3500	3.92	7.5	6500	7.70	A++	295
05+09+12	1300	2500	3200			7000	2000	10000	1750	500	3900	4.00	7.9	7000	7.80	A++	314
05+12+12	1000	3000	3000			7000	2000	10000	1750	500	3900	4.00	7.9	7000	7.80	A++	314
05+12+18	1000	2500	3500			7000	2000	10000	1710	500	3900	4.09	8.0	7000	7.90	A++	310
07+07+07	2000	2000	2000			6000	2000	8000	1570	500	3000	3.82	7.1	6000	7.60	A++	276
07+07+09	2000	2000	2500			6500	2000	9000	1660	500	3500	3.92	7.5	6500	7.70	A++	295
07+07+12	2000	2000	3000			7000	2000	10000	1750	500	3900	4.00	7.9	7000	7.80	A++	314
07+07+18	1800	1800	3400			7000	2000	10000	1730	500	3900	4.05	7.5	7000	7.85	A++	312
07+09+09	2000	2500	2500			7000	2000	10000	1750	500	3900	4.00	7.9	7000	7.80	A++	314
07+09+12	1700	2300	3000			7000	2000	10000	1750	500	3900	4.00	7.9	7000	7.80	A++	314
07+09+18	1600	2000	3400			7000	2000	10000	1730	500	3900	4.05	8.0	7000	7.85	A++	312
07+12+12	1600	2700	2700			7000	2000	10000	1730	500	3900	4.05	8.0	7000	7.85	A++	312
07+12+18	1600	2200	3200			7000	2000	10000	1710	500	3900	4.09	8.0	7000	7.90	A++	310
09+09+09	2333	2333	2334			7000	2000	10000	1750	500	3900	4.00	7.9	7000	7.90	A++	310
09+09+12	2100	2100	2800			7000	2000	10000	1730	500	3900	4.05	8.0	7000	7.95	A++	308
09+09+18	1800	1800	3400			7000	2000	10000	1710	500	3900	4.09	8.0	7000	8.00	A++	306
09+12+12	2000	2500	2500			7000	2000	10000	1730	500	3900	4.05	8.0	7000	7.95	A++	308
12+12+12	2333	2333	2334			7000	2000	10000	1710	500	3900	4.09	8.0	7000	8.00	A++	306

Combination of Indoor Units	Heating Capacity																				
	A	B	C	D	E	Total Capacity (W)			Power Input (W)			COP	(A)	Average				Warmer			
	W	W	W	W	W	NOM	MIN	MAX	NOM	MIN	MAX	W/W		Pdh (W)	SCOP	Class	Qhe	Pdh (W)	SCOP	Class	Qhe
05+12	2000	4000				6000	2000	8000	1500	500	3000	4.00	6.5	4500	4.10	A+	1537	4500	5.31	A+++	1186
05+18	2000	5000				7000	2000	9000	1580	500	3900	4.43	6.9	5000	4.20	A+	1667	5000	5.31	A+++	1318
07+09	2500	3500				6000	2000	8000	1500	500	3000	4.00	6.5	4500	4.20	A+	1500	4500	5.31	A+++	1186
07+12	2600	3700				6300	2000	8500	1550	500	3500	4.06	6.7	4500	4.20	A+	1500	4500	5.31	A+++	1186
07+18	2300	4700				7000	2000	9000	1570	500	3900	4.46	6.8	5000	4.20	A+	1667	5000	5.31	A+++	1318
09+09	3000	3000				6000	2000	8500	1500	500	3500	4.00	6.5	4500	4.30	A+	1465	4500	5.31	A+++	1186
09+12	3000	3700				6700	2000	9000	1520	500	3900	4.41	6.6	5000	4.30	A+	1628	5000	5.31	A+++	1318
09+18	2420	4780				7200	2000	9000	1570	500	3900	4.59	6.9	5000	4.40	A+	1591	5000	5.31	A+++	1318
12+12	3500	3500				7000	2000	9000	1570	500	3900	4.46	6.8	5000	4.40	A+	1591	5000	5.31	A+++	1318
12+18	3000	4000				7000	2000	9000	1560	500	3900	4.49	6.8	5000	4.40	A+	1591	5000	5.31	A+++	1318
05+05+07	2000	2000	2400			6400	2000	8000	1500	500	3000	4.27	6.5	4500	4.20	A+	1500	4500	5.31	A+++	1186
05+05+09	2000	2000	2600			6600	2000	8500	1550	500	3500	4.26	6.7	4500	4.20	A+	1500	4500	5.31	A+++	1186
05+05+12	1800	1800	3400			7000	2000	9000	1580	500	3900	4.43	6.9	5000	4.20	A+	1667	5000	5.31	A+++	1318
05+05+18	1600	1600	3800			7000	2000	9000	1570	500	3900	4.46	6.9	5000	4.20	A+	1667	5000	5.31	A+++	1318
05+07+07	1500	2600	2700			6800	2000	8500	1550	500	3500	4.39	6.7	4500	4.20	A+	1500	4500	5.31	A+++	1186
05+07+09	1500	2600	2900			7000	2000	9000	1580	500	3900	4.43	6.9	5000	4.20	A+	1667	5000	5.31	A+++	1318
05+07+12	1400	2300	3300			7000	2000	9000	1570	500	3900	4.46	6.8	5000	4.30	A+	1628	5000	5.31	A+++	1318
05+07+18	1200	2000	3800			7000	2000	9000	1560	500	3900	4.49	6.8	5000	4.30	A+	1628	5000	5.31	A+++	1318
05+09+09	1400	2800	2800			7000	2000	9000	1570	500	3900	4.46	6.8	5000	4.30	A+	1628	5000	5.31	A+++	1318
05+09+12	1500	2500	3000			7000	2000	9000	1570	500	3900	4.46	6.8	5000	4.30	A+	1628	5000	5.31	A+++	1318
05+09+18	1500	2200	3300			7000	2000	9000	1560	500	3900	4.49	6.8	5000	4.30	A+	1628	5000	5.31	A+++	1318
07+07+07	2333	2333	2334			7000	2000	9000	1600	500	3900	4.38	7.0	5000	4.30	A+	1628	5000	5.31	A+++	1318
07+07+09	2240	2240	2520			7000	2000	9000	1570	500	3900	4.46	6.9	5000	4.30	A+	1628	5000	5.31	A+++	1318
07+07+12	2140	2140	2720			7000	2000	9000	1570	500	3900	4.46	6.9	5000	4.35	A+	1609	5000	5.31	A+++	1318
07+07+18	1900	1900	3200			7000	2000	9000	1560	500	3900	4.49	6.9	5000	4.35	A+	1609	5000	5.31	A+++	1318
07+09+09	2020	2490	2490			7000	2000	9000	1570	500	3900	4.46	6.9	5000	4.35	A+	1609	5000	5.31	A+++	1318
07+09+12	2040	2180	2780			7000	2000	9000	1570	500	3900	4.46	6.9	5000	4.40	A+	1591	5000	5.31	A+++	1318
07+09+18	1700	2000	3300			7000	2000	9000	1560	500	3900	4.49	6.9	5000	4.40	A+	1591	5000	5.31	A+++	1318
07+12+12	1680	2660	2660			7000	2000	9000	1560	500	3900	4.49	6.9	5000	4.40	A+	1591	5000	5.31	A+++	1318
07+12+18	1500	2300	3200			7000	2000	9000	1550	500	3900	4.52	6.8	5000	4.40	A+	1591	5000	5.31	A+++	1318
09+09+09	2333	2333	2334			7000	2000	9000	1580	500	3900	4.43	6.9	5000	4.40	A+	1591	5000	5.31	A+++	1318
09+09+12	2200	2200	2600			7000	2000	9000	1560	500	3900	4.49	6.9	5000	4.60	A++	1522	5000	5.31	A+++	1318

Combination of Indoor Units	Heating Capacity																				
	A	B	C	D	E	Total Capacity (W)			Power Input (W)			COP	(A)	Average				Warmer			
	W	W	W	W	W	NOM	MIN	MAX	NOM	MIN	MAX	W/W		Pdh (W)	SCOP	Class	Qhe	Pdh (W)	SCOP	Class	Qhe
05+18	2000	5500				7500	2000	9500	1900	500	3700	3.95	8.3	4800	4.10	A+	1639	4800	5.31	A+++	1266
07+09	2500	3000				5500	2000	6500	1470	435	2250	3.74	6.4	4000	4.20	A+	1333	4000	5.31	A+++	1055
07+12	2500	4000				6500	2000	8000	1700	435	2450	3.82	7.4	4500	4.20	A+	1500	4500	5.31	A+++	1186
07+18	2600	5400				8000	2000	10000	2000	500	3900	4.00	8.7	5000	4.20	A+	1667	5000	5.31	A+++	1318
09+09	3000	3000				6000	2000	7500	1590	435	2500	3.77	6.9	4300	4.30	A+	1400	4300	5.31	A+++	1134
09+12	3300	3700				7000	2000	9000	1800	500	3500	3.89	7.8	4500	4.30	A+	1465	4500	5.31	A+++	1186
09+18	2800	5200				8000	2000	10000	2000	500	3900	4.00	8.7	5000	4.40	A+	1591	5000	5.31	A+++	1318
12+12	4000	4000				8000	2000	10000	2000	500	3900	4.00	8.7	5000	4.40	A+	1591	5000	5.31	A+++	1318
12+18	3200	4800				8000	2000	10000	1980	500	3900	4.04	8.6	5000	4.40	A+	1591	5000	5.31	A+++	1318
18+18	4000	4000				8000	2000	10000	1960	500	3900	4.08	8.5	5000	4.40	A+	1591	5000	5.31	A+++	1318
05+05+09	1700	1700	3100			6500	2000	8000	1700	510	2950	3.82	7.4	4500	4.20	A+	1500	4500	5.31	A+++	1186
05+05+12	1900	1900	3700			7500	2000	9500	1900	500	3700	3.95	8.3	4800	4.20	A+	1600	4800	5.31	A+++	1266
05+05+18	2000	2000	4000			8000	2000	10000	2000	500	3900	4.00	8.7	5000	4.20	A+	1667	5000	5.31	A+++	1318
05+07+07	1300	2600	2600			6500	2000	8000	1700	520	2950	3.82	7.4	4500	4.20	A+	1500	4500	5.31	A+++	1186
05+07+09	1500	2500	3000			7000	2000	9000	1800	500	3500	3.89	7.8	4500	4.20	A+	1500	4500	5.31	A+++	1186
05+07+12	1500	2500	4000			8000	2000	10000	2000	500	3900	4.00	8.7	4500	4.30	A+	1465	4500	5.31	A+++	1186
05+07+18	1400	2500	4100			8000	2000	10000	1980	500	3900	4.04	8.6	5000	4.30	A+	1628	5000	5.31	A+++	1318
05+09+09	1500	3000	3000			7500	2000	9500	1900	500	3700	3.95	8.3	4800	4.30	A+	1563	4800	5.31	A+++	1266
05+09+12	2000	2500	3500			8000	2000	10000	2000	500	3900	4.00	8.7	5000	4.30	A+	1628	5000	5.31	A+++	1318
05+12+12	1600	3200	3200			8000	2000	10000	2000	500	3900	4.00	8.7	5000	4.30	A+	1628	5000	5.31	A+++	1318
05+12+18	1400	3000	3600			8000	2000	10000	1960	500	3900	4.08	8.5	5000	4.30	A+	1628	5000	5.31	A+++	1318
07+07+07	2333	2333	2334			7000	2000	9000	1800	500	3500	3.89	7.8	4500	4.30	A+	1465	4500	5.31	A+++	1186
07+07+09	2400	2400	2700			7500	2000	9500	1900	500	3700	3.95	8.3	4800	4.30	A+	1563	4800	5.31	A+++	1266
07+07+12	2300	2300	3400			8000	2000	10000	2000	500	3900	4.00	8.7	5000	4.35	A+	1609	5000	5.31	A+++	1318
07+07+18	2000	2000	4000			8000	2000	10000	1980	500	3900	4.04	8.6	5000	4.35	A+	1609	5000	5.31	A+++	1318
07+09+09	2400	2800	2800			8000	2000	10000	2000	500	3900	4.00	8.7	5000	4.35	A+	1609	5000	5.31	A+++	1318
07+09+12	2200	2600	3200			8000	2000	10000	2000	500	3900	4.00	8.7	5000	4.40	A+	1591	5000	5.31	A+++	1318
07+09+18	1800	2300	3900			8000	2000	10000	1980	500	3900	4.04	8.6	5000	4.40	A+	1591	5000	5.31	A+++	1318
07+12+12	2100	2950	2950			8000	2000	10000	1980	500	3900	4.04	8.6	5000	4.40	A+	1591	5000	5.31	A+++	1318
07+12+18	1700	2500	3800			8000	2000	10000	1960	500	3900	4.08	8.5	5000	4.40	A+	1591	5000	5.31	A+++	1318
09+09+09	2666	2667	2667			8000	2000	10000	2000	500	3900	4.00	8.7	5000	4.40	A+	1591	5000	5.31	A+++	1318
09+09+12	2500	2500</																			

■ 4AMW72U4RJC/AMW4-24U4RJC

Combination of Indoor Units	Cooling Capacity																
	A	B	C	D	E	Total Capacity (W)			Power Input (W)			EER	(A)	Pdc (W)	SEER	Energy class	Qce
	W	W	W	W	W	NOM	MIN	MAX	NOM	MIN	MAX	W/W					
05+18	1500	5000				6500	2400	8000	1950	500	3300	3.33	8.7	6500	7.00	A++	325
07+12	2100	3500				5600	2200	7000	1750	500	2700	3.20	7.8	5600	7.00	A++	280
07+18	2100	4800				6900	2400	8000	1950	500	3300	3.54	8.7	6900	7.00	A++	345
09+09	2600	2600				5200	2200	7000	1680	500	3000	3.10	7.5	5200	7.00	A++	260
09+12	2600	3500				6100	2200	7200	1850	500	3100	3.30	8.3	6100	7.00	A++	305
09+18	2600	4600				7200	2400	9000	2100	500	3500	3.43	9.4	7200	7.05	A++	357
12+12	3500	3500				7000	2200	8000	2000	500	3100	3.50	9.0	7000	7.00	A++	350
12+18	2800	4400				7200	2200	9500	2100	500	3500	3.43	9.4	7200	7.10	A++	355
18+18	3600	3600				7200	2300	10500	2000	500	3800	3.60	9.0	7200	7.25	A++	348
05+05+12	1500	1500	3500			6500	2400	8000	1900	500	3300	3.42	8.5	6500	7.35	A++	310
05+05+18	1600	1600	4000			7200	2200	9500	1950	500	3500	3.69	8.7	7200	7.40	A++	341
05+07+12	1500	2000	3500			7000	2200	8000	1915	500	3100	3.66	8.6	7000	7.35	A++	333
05+07+18	1300	1700	4200			7200	2200	9500	1910	500	3500	3.77	8.6	7200	7.40	A++	341
05+09+09	1500	2500	2500			6500	2400	8000	1800	500	3300	3.61	8.1	6500	7.40	A++	307
05+09+12	1500	2500	3200			7200	2400	9000	1915	540	3500	3.76	8.6	7200	7.40	A++	341
05+09+18	1000	2200	4000			7200	2400	10000	1905	540	3800	3.78	8.5	7200	7.45	A++	338
05+12+12	1200	3000	3000			7200	2400	10000	1910	540	3800	3.77	8.6	7200	7.40	A++	341
05+12+18	1000	2400	3800			7200	2400	10000	1900	540	3800	3.79	8.5	7200	7.55	A++	334
07+07+07	2100	2100	2100			6300	2400	8500	1800	540	3300	3.50	8.1	6300	7.40	A++	298
07+07+09	2100	2100	2600			6800	2400	8700	1900	540	3500	3.58	8.5	6800	7.40	A++	322
07+07+12	2000	2000	3200			7200	2400	9000	1900	540	3500	3.79	8.5	7200	7.80	A++	323
07+07+18	1700	1700	3800			7200	2400	10500	1865	540	3800	3.86	8.4	7200	7.80	A++	323
07+09+09	2000	2600	2600			7200	2400	9000	1895	540	3600	3.80	8.5	7200	7.80	A++	323
07+09+12	1700	2400	3100			7200	2400	9500	1880	540	3700	3.83	8.4	7200	7.80	A++	323
07+09+18	1500	2100	3600			7200	2400	10500	1850	540	3800	3.89	8.3	7200	7.80	A++	323
07+12+12	1820	2690	2690			7200	2400	10000	1880	540	3700	3.83	8.4	7200	7.80	A++	323
07+12+18	1550	2550	3100			7200	2400	10000	1850	540	3700	3.89	8.3	7200	7.80	A++	323
09+09+09	2400	2400	2400			7200	2400	9500	1895	540	3700	3.80	8.5	7200	7.80	A++	323
09+09+12	2300	2300	2600			7200	2400	10000	1895	540	3800	3.80	8.5	7200	7.80	A++	323
09+09+18	2100	2100	3000			7200	2400	10500	1850	540	3950	3.89	8.3	7200	7.85	A++	321
09+12+12	2000	2600	2600			7200	2400	10000	1890	540	3950	3.81	8.5	7200	7.85	A++	321
12+12+12	2400	2400	2400			7200	2400	10500	1880	540	3800	3.83	8.4	7200	7.85	A++	321
05+05+05+07	1500	1500	1500	2000		6500	2400	8000	1900	500	3300	3.42	8.5	6500	7.65	A++	297
05+05+07+07	1500	1500	2000	2000		7000	2200	8000	1890	500	3400	3.70	8.5	7000	7.65	A++	320
05+05+07+09	1500	1500	2000	2200		7200	2400	9000	1880	540	3600	3.83	8.4	7200	7.65	A++	329
05+05+07+12	1500	1500	1600	2600		7200	2600	10500	1880	580	3950	3.83	8.4	7200	7.65	A++	329
05+05+07+18	1200	1200	1600	3200		7200	2600	10500	1870	580	3950	3.85	8.4	7200	7.70	A++	327
05+05+09+09	1200	1200	2400	2400		7200	2600	10500	1880	580	3950	3.83	8.4	7200	7.65	A++	329
05+05+09+12	1200	1200	2100	2700		7200	2600	10500	1880	580	3950	3.83	8.4	7200	7.65	A++	329
05+05+12+12	1100	1100	2500	2500		7200	2600	10500	1880	580	3950	3.83	8.4	7200	7.65	A++	329
05+07+07+07	1200	2000	2000	2000		7200	2600	10500	1880	580	3950	3.83	8.4	7200	7.65	A++	329
05+07+07+09	1200	1800	1800	2400		7200	2600	10500	1880	580	3950	3.83	8.4	7200	7.65	A++	329
05+07+07+12	1200	1700	1700	2600		7200	2600	10500	1880	580	3950	3.83	8.4	7200	7.65	A++	329
05+07+09+09	1200	1800	2100	2100		7200	2600	10500	1880	580	3950	3.83	8.4	7200	7.65	A++	329
05+07+09+12	1200	1700	2000	2300		7200	2600	10500	1880	580	3950	3.83	8.4	7200	7.65	A++	329
05+09+09+09	900	2100	2100	2100		7200	2600	10500	1880	580	3950	3.83	8.4	7200	7.65	A++	329
05+09+09+12	900	2000	2000	2300		7200	2600	10500	1880	580	3950	3.83	8.4	7200	7.65	A++	329
07+07+07+07	1800	1800	1800	1800		7200	2600	10500	1880	580	3950	3.83	8.4	7200	7.80	A++	323
07+07+07+09	1733	1733	1733	2000		7200	2600	10500	1880	580	3950	3.83	8.4	7200	7.80	A++	323
07+07+07+12	1610	1610	1610	2370		7200	2600	10500	1880	580	3950	3.83	8.4	7200	7.80	A++	323
07+07+09+09	1630	1630	1970	1970		7200	2600	10500	1880	580	3950	3.83	8.4	7200	7.90	A++	319
07+07+09+12	1520	1520	1930	2230		7200	2600	10500	1880	580	3950	3.83	8.4	7200	7.90	A++	319
07+09+09+09	1650	1850	1850	1850		7200	2600	10500	1880	580	3950	3.83	8.4	7200	7.90	A++	319
09+09+09+09	1800	1800	1800	1800		7200	2600	10500	1880	580	3950	3.83	8.4	7200	8.00	A++	315

Combination of Indoor Units	Heating Capacity																				
	A	B	C	D	E	Total Capacity (W)			Power Input (W)			COP	(A)	Average				Warmer			
	W	W	W	W	W	NOM	MIN	MAX	NOM	MIN	MAX	W/W		Pdh (W)	SCOP	Class	Qhe	Pdh (W)	SCOP	Class	Qhe
05+18	2000	5400				7400	2000	8500	1950	400	3300	3.79	8.5	5000	4.10	A+	1707	5000	5.31	A+++	1318
07+12	2600	3700				6300	1800	7200	1850	400	3100	3.41	8.0	5000	4.10	A+	1707	5000	5.31	A+++	1318
07+18	2600	5400				8000	2000	8500	2100	400	3300	3.81	9.1	5600	4.10	A+	1912	5600	5.31	A+++	1476
09+09	3000	3000				6000	1800	7200	1680	400	3200	3.57	7.3	5000	4.10	A+	1707	5000	5.31	A+++	1318
09+12	3000	3700				6700	1800	7500	1850	400	3300	3.62	8.0	5000	4.10	A+	1707	5000	5.31	A+++	1318
09+18	2900	5100				8000	2000	9500	2100	400	3500	3.81	9.1	5600	4.10	A+	1912	5600	5.31	A+++	1476
12+12	3700	3700				7400	1800	8700	2050	400	3300	3.61	8.9	5600	4.10	A+	1912	5600	5.31	A+++	1476
12+18	3000	5000				8000	2000	9700	2050	400	3600	3.90	8.9	5600	4.10	A+	1912	5600	5.31	A+++	1476
18+18	4000	4000				8000	2000	11000	2000	420	3950	4.00	8.7	5600	4.10	A+	1912	5600	5.31	A+++	1476
05+05+12	2000	2000	3400			7400	2000	8500	1980	400	3100	3.74	8.6	5000	4.20	A+	1667	5000	5.31	A+++	1318
05+05+18	2000	2000	4000			8000	2000	9700	2000	400	3300	4.00	8.7	5600	4.20	A+	1867	5600	5.31	A+++	1476
05+07+12	2000	2500	2900			7400	1800	8700	1900	400	3200	3.89	8.3	5600	4.20	A+	1867	5600	5.31	A+++	1476
05+07+18	1700	2300	4000			8000	2000	9700	1990	400	3300	4.02	8.7	5600	4.20	A+	1867	5600	5.31	A+++	1476
05+09+09	2000	2700	2700			7400	2000	8500	1900	400	3100	3.89	8.3	5000	4.20	A+	1667	5000	5.31	A+++	1318
05+09+12	1800	2700	3500			8000	2200	9500	1990	420	3500	4.02	8.7	5600	4.20	A+	1867	5600	5.31	A+++	1476
05+09+18	1500	2500	4000			8000	2200	10500	1900	420	3600	4.21	8.3	5600	4.20	A+	1867	5600	5.31	A+++	1476
05+12+12	1400	3300	3300			8000	2200	10500	1980	420	3800	4.04	8.6	5600	4.20	A+	1867	5600	5.31	A+++	1476
05+12+18	1200	2800	4000			8000	2200	10500	1900	420	3600	4.21	8.3	5600	4.20	A+	1867	5600	5.31	A+++	1476
07+07+07	2600	2600	2600			7800	2200	9200	1900	420	3300	4.11	8.3	5600	4.20	A+	1867	5600	5.31	A+++	1476
07+07+09	2600	2600	2800			8000	2200	9200	1960	420	3500	4.08	8.5	5600	4.20	A+	1867	5600	5.31	A+++	1476
07+07+12	2300	2300	3200			7800	2200	9500	1950	420	3500	4.00	8.5	5600	4.20	A+	1867	5600	5.31	A+++	1476
07+07+18	2200	2200	3600			8000	2200	10500	1900	420	3600	4.21	8.3	5600	4.20	A+	1867	5600	5.31	A+++	1476
07+09+09	2000	3000	3000			8000	2200	9500	1930	420	3600	4.15	8.4	5600	4.30	A+	1823	5600	5.31	A+++	1476
07+09+12	2200	2700	3100			8000	2200	10000	1930	420	3700	4.15	8.4	5600	4.30	A+	1823	5600	5.31	A+++	1476
07+09+18	2000	2200	3800			8000	2200	10500	1900	420	3600	4.21	8.3	5600	4.30	A+	1823	5600	5.31	A+++	1476
07+12+12	2000	3000	3000			8000	2200	10000	1930	420	3700	4.15	8.4	5600	4.30	A+	1823	5600	5.31	A+++	1476
07+12+18	1700	2900	3400			8000	2200	10000	1900	420	3600	4.21	8.3	5600	4.40	A+	1782	5600	5.31	A+++	1476
09+09+09	2666	2666	2666			8000	2200	10000	1930	420	3700	4.15	8.4	5600	4.40	A+	1782	5600	5.31	A+++	1476
09+09+12	2500	2500	3000			8000	2200	10000	1920	420	3700	4.17	8.3	5600	4.40	A+	1782	5600	5.31	A+++	1476
09+09+18	2100	2100	3800			8000	2200	10500	1900	420	3600	4.21	8.3	5600	4.40	A+	1782	5600	5.31	A+++	1476
09+12+12	2200	2900	2900			8000	2200	10000	1920	420	3700	4.17	8.3	5600	4.40	A+	1782	5600	5.31	A+++	1476
12+12+12	2666	2666	2666			8000	2200	10000	1910	420	3700	4.19	8.3	5600	4.40	A+	1782	5600	5.31	A+++	1476
05+05+05+07	1700	1700	1700	2300		7400	2000	8500	1810	400	3300	4.09	7.9	5600	4.30	A+	1823	5600	5.31	A+++	1476
05+05+07+07	1700	1700	2000	2000		7400	2000	8500	1800	400	3300	4.11	7.8	5600	4.30	A+	1823	5600	5.31	A+++	1476
05+05+07+09	1600	1600	2000	2800		8000	2200	9500	1900	420	3500	4.21	8.3	5600	4.30	A+	1823	5600	5.31	A+++	1476
05+05+07+12	1600	1600	1800	3000		8000	2200	11000	1890	460	3900	4.23	10.0	5600	4.30	A+	1823	5600	5.31	A+++	1476
05+05+07+18	1400	1400	1900	3300		8000	2200	11000	1850	460	3800	4.32	10.0	5600	4.30	A+	1823	5600	5.31	A+++	1476
05+05+09+09	1500	1500	2500	2500		8000	2200	11000	1885	460	3900	4.24	10.0	5600	4.30	A+	1823	5600	5.31	A+++	1476
05+05+09+12	1500	1500	2000	3000		8000	2200	11000	1880	460	3850	4.26	10.0	5600	4.30	A+	1823	5600	5.31	A+++	1476
05+05+12+12	1200	1200	2800	2800		8000	2200	11000	1880	460	3840	4.26	10.0	5600	4.30	A+	1823	5600	5.31	A+++	1476
05+07+07+07	1400	2200	2200	2200		8000	2200	11000	1890	460	3900	4.23	10.0	5600	4.30	A+	1823	5600	5.31	A+++	1476
05+07+07+09	1300	2000	2000	2700		8000	2200	11000	1885	460	3880	4.24	10.0	5600	4.30	A+	1823	5600	5.31	A+++	1476
05+07+07+12	1200	1900	1900	3000		8000	2200	11000	1885	460	3870	4.24	10.0	5600	4.30	A+	1823	5600	5.31	A+++	1476
05+07+09+09	1200	1800	2500	2500		8000	2200	11000	1885	460	3860	4.24	10.0	5600	4.30	A+	1823	5600	5.31	A+++	1476
05+07+09+12	1200	1800	2300	2700		8000	2200	11000	1885	460	3850	4.24	10.0	5600	4.30	A+	1823	5600	5.31	A+++	1476
05+09+09+09	1100	2300	2300	2300		8000	2200	11000	1890	460	3840	4.23	10.0	5600	4.30	A+	1823	5600	5.31	A+++	1476
05+09+09+12	1000	2250	2250	2500		8000	2200	11000	1885	460	3820	4.24	10.0	5600	4.30	A+	1823	5600	5.31	A+++	1476
07+07+07+07	2000	2000	2000	2000		8000	2200	11000	1890	460	3880	4.23	10.0	5600	4.40	A+	1782	5600	5.31	A+++	1476
07+07+07+09	1900	1900	1900	2300		8000	2200	11000	1890	460	3870	4.23	10.0	5600	4.40	A+	1782	5600	5.31	A+++	1476
07+07+07+12	1850	1850	1850	2450		8000	2200	11000	1890	460	3860	4.23	10.1	5600	4.40	A+	1782	5600	5.31	A+++	1476
07+07+09+09	1900	1900	2100	2100		8000	2200	11000	1890	460	3850	4.23	10.1	5600	4.40	A+	1782	5600	5.31	A+++	1476
07+07+09+12	1850	1850	2000	2300		8000	2200	11000	1890	460	3840	4.23	10.1	5600	4.50	A+	1742	5600	5.31	A+++	1476
07+09+09+09	1700	2100	2100	2100		8000	2200	11000	1890	460	3820	4.23	10.1	5600	4.50	A+	1742	5600	5.31	A+++	1476
09+09+09+09	2000	2000	2000	2000		8000	2200	11000	1890	460	3820	4.23	10.1	5600	4.60	A++	1704	5600	5.31	A+++	1476

■ 4AMW81U4RJC/AMW4-27U4RJC

Combination of Indoor Units	Cooling Capacity																
	A	B	C	D	E	Total Capacity (W)			Power Input (W)			EER	(A)	Pdc (W)	SEER	Energy class	Qce
	W	W	W	W	W	NOM	MIN	MAX	NOM	MIN	MAX	W/W					
05+18	1500	5000				6500	2400	8000	1950	500	3300	3.33	8.7	6500	7.00	A++	325
07+12	2100	3500				5600	2200	7000	1750	500	2700	3.20	7.8	5600	7.00	A++	280
07+18	2100	4800				6900	2400	8000	1950	500	3300	3.54	8.7	6900	7.00	A++	345
09+09	2600	2600				5200	2200	7000	1680	500	3000	3.10	7.5	5200	6.90	A++	264
09+12	2600	3500				6100	2200	7200	1850	500	3100	3.30	8.3	6100	6.95	A++	307
09+18	2600	4800				7400	2400	9000	2100	500	3500	3.52	9.4	7400	7.05	A++	367
12+12	3500	3500				7000	2200	8000	2200	500	3100	3.18	9.9	7000	7.00	A++	350
12+18	3200	4800				8000	2200	9500	2400	500	3500	3.33	10.7	8000	7.10	A++	394
18+18	4000	4000				8000	2300	10500	2300	500	3800	3.48	10.3	8000	7.25	A++	386
05+05+12	1500	1500	3500			6500	2400	8000	1950	500	3300	3.33	8.7	6500	7.35	A++	310
05+05+18	1500	1500	5000			8000	2200	9500	2250	500	3500	3.56	10.1	8000	7.00	A++	400
05+07+12	1500	2000	3500			7000	2200	8000	2050	500	3100	3.41	9.2	7000	7.00	A++	350
05+07+18	1400	1800	4800			8000	2200	9500	2250	500	3500	3.56	10.1	8000	7.00	A++	400
05+09+09	1500	2500	2500			6500	2400	8000	1950	500	3300	3.33	8.7	6500	7.00	A++	325
05+09+12	1500	2500	3400			7400	2400	9000	2130	540	3500	3.47	9.5	7400	7.00	A++	370
05+09+18	1250	2250	4500			8000	2400	10000	2200	540	3800	3.64	9.9	8000	7.00	A++	400
05+12+12	1400	3300	3300			8000	2400	10000	2250	540	3800	3.56	10.1	8000	7.00	A++	400
05+12+18	1200	2800	4000			8000	2400	10000	2200	540	3800	3.64	9.9	8000	7.00	A++	400
05+18+18	1000	3500	3500			8000	2400	10000	2150	540	3800	3.72	9.6	8000	7.00	A++	400
07+07+07	2100	2100	2100			6300	2400	8500	1900	540	3300	3.32	8.5	6300	7.00	A++	315
07+07+09	2100	2100	2600			6800	2400	8700	1980	540	3500	3.43	8.9	6800	7.00	A++	340
07+07+12	2100	2100	3200			7400	2400	9000	2130	540	3500	3.47	9.5	7400	7.20	A++	360
07+07+18	1910	1910	4180			8000	2400	10500	2250	540	3800	3.56	10.1	8000	7.30	A++	384
07+09+09	2100	2600	2600			7300	2400	9000	2200	540	3600	3.32	9.9	7300	7.30	A++	350
07+09+12	2100	2600	3300			8000	2400	9500	2200	540	3700	3.64	9.9	8000	7.25	A++	386
07+09+18	1810	2240	3950			8000	2400	10500	2150	540	3800	3.72	9.6	8000	7.50	A++	373
07+12+12	2020	2990	2990			8000	2400	10000	2200	540	3700	3.64	9.9	8000	7.25	A++	386
07+12+18	1800	2800	3400			8000	2400	10000	2150	540	3700	3.72	9.6	8000	7.50	A++	373
09+09+09	2600	2600	2600			8000	2400	9500	2145	540	3700	3.73	9.6	8000	7.50	A++	373
09+09+12	2540	2540	2920			8000	2400	10000	2145	540	3800	3.73	9.6	8000	7.50	A++	373
09+09+18	2130	2130	3740			8000	2400	10500	2100	540	3950	3.81	9.4	8000	7.50	A++	373
09+12+12	2370	2815	2815			8000	2400	10000	2145	540	3950	3.73	9.6	8000	7.50	A++	373
09+12+18	2010	2480	3510			8000	2400	10500	2100	540	3800	3.81	9.4	8000	7.50	A++	373
12+12+12	2667	2667	2667			8000	2400	10500	2145	540	3800	3.73	9.6	8000	7.50	A++	373
05+05+05+07	1500	1500	1500	2000		6500	2400	8000	1900	500	3300	3.42	8.5	6500	7.35	A++	310
05+05+07+07	1500	1500	2000	2000		7000	2200	8000	1950	500	3400	3.59	8.7	7000	7.35	A++	333
05+05+07+09	1500	1500	2000	2400		7400	2400	9000	2030	540	3600	3.65	9.1	7400	7.35	A++	352
05+05+07+12	1500	1500	1800	3200		8000	2600	10500	2130	580	3950	3.76	9.5	8000	7.35	A++	381
05+05+07+18	1400	1400	1700	3500		8000	2600	10500	2130	580	3950	3.76	9.5	8000	7.40	A++	378
05+05+09+09	1400	1400	2600	2600		8000	2600	10500	2130	580	3950	3.76	9.5	8000	7.40	A++	378
05+05+09+12	1400	1400	2300	2900		8000	2600	10500	2130	580	3950	3.76	9.5	8000	7.40	A++	378
05+05+09+18	1300	1300	2000	3400		8000	2600	10500	2130	580	3950	3.76	9.5	8000	7.40	A++	378
05+05+12+12	1300	1300	2700	2700		8000	2600	10500	2130	580	3950	3.76	9.5	8000	7.40	A++	378
05+05+12+18	1300	1300	2500	2900		8000	2600	10500	2130	580	3950	3.76	9.5	8000	7.40	A++	378
05+07+07+07	1400	2200	2200	2200		8000	2600	10500	2130	580	3950	3.76	9.5	8000	7.40	A++	378
05+07+07+09	1400	2000	2000	2600		8000	2600	10500	2130	580	3950	3.76	9.5	8000	7.40	A++	378
05+07+07+12	1400	1900	1900	2800		8000	2600	10500	2130	580	3950	3.76	9.5	8000	7.40	A++	378
05+07+07+18	1300	1700	1700	3300		8000	2600	10500	2130	580	3950	3.76	9.5	8000	7.40	A++	378
05+07+09+09	1400	2000	2300	2300		8000	2600	10500	2130	580	3950	3.76	9.5	8000	7.40	A++	378
05+07+09+12	1400	1900	2200	2500		8000	2600	10500	2130	580	3950	3.76	9.5	8000	7.40	A++	378
05+07+09+18	1300	1800	2000	2900		8000	2600	10500	2130	580	3950	3.76	9.5	8000	7.40	A++	378
05+09+09+09	1100	2300	2300	2300		8000	2600	10500	2130	580	3950	3.76	9.5	8000	7.40	A++	378
05+09+09+12	1100	2200	2200	2500		8000	2600	10500	2130	580	3950	3.76	9.5	8000	7.40	A++	378
05+09+12+12	1100	1900	2500	2500		8000	2600	10500	2130	580	3950	3.76	9.5	8000	7.40	A++	378
07+07+07+07	2000	2000	2000	2000		8000	2600	10500	2130	580	3950	3.76	9.5	8000	7.50	A++	373
07+07+07+09	1933	1933	1933	2200		8000	2600	10500	2130	580	3950	3.76	9.5	8000	7.50	A++	373
07+07+07+12	1810	1810	1810	2570		8000	2600	10500	2130	580	3950	3.76	9.5	8000	7.50	A++	373
07+07+07+18	1550	1550	1550	3350		8000	2600	10500	2130	580	3950	3.76	9.5	8000	7.50	A++	373
07+07+09+09	1830	1830	2170	2170		8000	2600	10500	2130	580	3950	3.76	9.5	8000	7.50	A++	373
07+07+09+12	1720	1720	2130	2430		8000	2600	10500	2130	580	3950	3.76	9.5	8000	7.50	A++	373
07+07+12+12	1620	1620	2380	2380		8000	2600	10500	2130	580	3950	3.76	9.5	8000	7.50	A++	373
07+09+09+09	1850	2050	2050	2050		8000	2600	10500	2130	580	3950	3.76	9.5	8000	7.50	A++	373
07+09+09+12	1640	1930	1930	2500		8000	2600	10500	2130	580	3950	3.76	9.5	8000	7.50	A++	373
07+09+12+12	1550	1920	2265	2265		8000	2600	10500	2130	580	3950	3.76	9.5	8000	7.50	A++	373
09+09+09+09	2000	2000	2000	2000		8000	2600	10500	2130	580	3950	3.76	9.5	8000	7.60	A++	368
09+09+09+12	1940	1940	1940	2180		8000	2600	10500	2130	580	3950	3.76	9.5	8000	7.60	A++	368

Combination of Indoor Units	Heating Capacity																				
	A	B	C	D	E	Total Capacity (W)			Power Input (W)			COP	(A)	Average				Warmer			
	W	W	W	W	W	NOM	MIN	MAX	NOM	MIN	MAX	W/W		Pdh (W)	SCOP	Class	Qhe	Pdh (W)	SCOP	Class	Qhe
05+18	2000	5400				7400	2000	8500	1950	400	3300	3.79	8.5	5000	4.10	A+	1707	5000	5.31	A+++	1318
07+12	2600	3700				6300	1800	7200	1850	400	3100	3.41	8.0	5000	4.10	A+	1707	5000	5.31	A+++	1318
07+18	2600	5400				8000	2000	8500	1950	400	3300	4.10	8.5	5600	4.10	A+	1912	5600	5.31	A+++	1476
09+09	3000	3000				6000	1800	7200	1680	400	3200	3.57	7.3	5000	4.10	A+	1707	5000	5.31	A+++	1318
09+12	3000	3700				6700	1800	7500	1850	400	3300	3.62	8.0	5000	4.10	A+	1707	5000	5.31	A+++	1318
09+18	3000	5500				8500	2000	9500	2100	400	3500	4.05	9.1	5600	4.10	A+	1912	5600	5.31	A+++	1476
12+12	3700	3700				7400	1800	8700	2050	400	3300	3.61	8.9	5600	4.10	A+	1912	5600	5.31	A+++	1476
12+18	3620	5380				9000	2000	9700	2110	400	3600	4.27	9.2	5600	4.10	A+	1912	5600	5.31	A+++	1476
18+18	4500	4500				9000	2000	11000	2200	420	3950	4.09	9.6	5600	4.10	A+	1912	5600	5.31	A+++	1476
05+05+12	2000	2000	3400			7400	2000	8500	2000	400	3100	3.70	8.7	5000	4.20	A+	1667	5000	5.31	A+++	1318
05+05+18	2000	2000	5000			9000	2000	9700	2350	400	3300	3.83	10.2	5600	4.20	A+	1867	5600	5.31	A+++	1476
05+07+12	2000	2500	2900			7400	1800	8700	2000	400	3200	3.70	8.7	5600	4.20	A+	1867	5600	5.31	A+++	1476
05+07+18	1800	2300	4900			9000	2000	9700	2340	400	3300	3.85	10.2	5600	4.20	A+	1867	5600	5.31	A+++	1476
05+09+09	2000	2700	2700			7400	2000	8500	1930	400	3100	3.83	8.4	5000	4.20	A+	1667	5000	5.31	A+++	1318
05+09+12	2000	3000	3900			8900	2200	9500	2350	420	3500	3.79	10.2	5600	4.20	A+	1867	5600	5.31	A+++	1476
05+09+18	1500	2600	4900			9000	2200	10500	2330	420	3600	3.86	10.1	5600	4.20	A+	1867	5600	5.31	A+++	1476
05+12+12	1600	3700	3700			9000	2200	10500	2430	420	3800	3.70	10.6	5600	4.20	A+	1867	5600	5.31	A+++	1476
05+12+18	1300	3200	4500			9000	2200	10500	2310	420	3600	3.90	10.0	5600	4.20	A+	1867	5600	5.31	A+++	1476
05+18+18	1200	3900	3900			9000	2200	10500	2250	420	3500	4.00	9.8	5600	4.20	A+	1867	5600	5.31	A+++	1476
07+07+07	2600	2600	2600			7800	2200	9200	1900	420	3300	4.11	8.3	5600	4.20	A+	1867	5600	5.31	A+++	1476
07+07+09	2600	2600	3000			8200	2200	9200	1980	420	3500	4.14	8.6	5600	4.20	A+	1867	5600	5.31	A+++	1476
07+07+12	2500	2500	3600			8600	2200	9500	2260	420	3500	3.81	9.8	5600	4.20	A+	1867	5600	5.31	A+++	1476
07+07+18	2187	2187	4626			9000	2200	10500	2250	420	3600	4.00	9.8	5600	4.30	A+	1823	5600	5.31	A+++	1476
07+09+09	2600	3000	3000			8600	2200	9500	2200	420	3600	3.91	9.6	5600	4.30	A+	1823	5600	5.31	A+++	1476
07+09+12	2400	2900	3500			8800	2200	10000	2200	420	3700	4.00	9.6	5600	4.30	A+	1823	5600	5.31	A+++	1476
07+09+18	2110	2430	4460			9000	2200	10500	2220	420	3600	4.05	9.7	5600	4.30	A+	1823	5600	5.31	A+++	1476
07+12+12	2340	3330	3330			9000	2200	10000	2230	420	3700	4.04	9.7	5600	4.40	A+	1782	5600	5.31	A+++	1476
07+12+18	2000	3200	3800			9000	2200	10000	2200	420	3600	4.09	9.6	5600	4.40	A+	1782	5600	5.31	A+++	1476
09+09+09	3000	3000	3000			9000	2200	10000	2230	420	3700	4.04	9.7	5600	4.40	A+	1782	5600	5.31	A+++	1476
09+09+12	2784	2784	3433			9000	2200	10000	2230	420	3700	4.04	9.7	5600	4.40	A+	1782	5600	5.31	A+++	1476
09+09+18	2350	2350	4300			9000	2200	10500	2200	420	3600	4.09	9.6	5600	4.40	A+	1782	5600	5.31	A+++	1476
09+12+12	2600	3200	3200			9000	2200	10000	2220	420	3700	4.05	9.7	5600	4.40	A+	1782	5600	5.31	A+++	1476
09+12+18	2210	2730	4060			9000	2200	10500	2200	420	3600	4.09	9.6	5600	4.40	A+	1782	5600	5.31	A+++	1476
12+12+12	3000	3000	3000			9000	2200	10000	2210	420	3700	4.07	9.6	5600	4.50	A+	1742	5600	5.31	A+++	1476
05+05+05+07	1700	1700	1700	2300		7400	2000	8500	1900	400	3300	3.89	8.3	5600	4.30	A+	1823	5600	5.31	A+++	1476
05+05+07+07	1700	1700	2000	2000		7400	2000	8500	1900	400	3300	3.89	8.3	5600	4.30	A+	1823	5600	5.31	A+++	1476
05+05+07+09	1800	1800	2100	3200		8900	2000	9500	2150	420	3500	4.14	9.3	5600	4.30	A+	1823	5600	5.31	A+++	1476
05+05+07+12	1700	1700	2000	3600		9000	2200	11000	2190	460	3900	4.11	10.0	5600	4.30	A+	1823	5600	5.31	A+++	1476
05+05+07+18	1500	1500	2000	4000		9000	2200	11000	2150	460	3800	4.19	10.0	5600	4.30	A+	1823	5600	5.31	A+++	1476
05+05+09+09	1500	1500	3000	3000		9000	2200	11000	2200	460	3900	4.09	10.0	5600	4.30	A+	1823	5600	5.31	A+++	1476
05+05+09+12	1500	1500	2500	3500		9000	2200	11000	2200	460	3850	4.09	10.0	5600	4.30	A+	1823	5600	5.31	A+++	1476
05+05+09+18	1400	1400	2400	3800		9000	2200	11000	2140	460	3800	4.21	10.0	5600	4.30	A+	1823	5600	5.31	A+++	1476
05+05+12+12	1400	1400	3100	3100		9000	2200	11000	2190	460	3840	4.11	10.0	5600	4.30	A+	1823	5600	5.31	A+++	1476
05+05+12+18	1300	1300	3000	3400		9000	2200	11000	2130	460	3790	4.23	10.0	5600	4.30	A+	1823	5600	5.31	A+++	1476
05+07+07+07	1500	2500	2500	2500		9000	2200	11000	2200	460	3900	4.09	10.0	5600	4.30	A+	1823	5600	5.31	A+++	1476
05+07+07+09	1500	2300	2300	2900		9000	2200	11000	2200	460	3880	4.09	10.0	5600	4.30	A+	1823	5600	5.31	A+++	1476
05+07+07+12	1500	2100	2100	3300		9000	2200	11000	2200	460	3870	4.09	10.0	5600	4.30	A+	1823	5600	5.31	A+++	1476
05+07+07+18	1400	2000	2000	3600		9000	2200	11000	2150	460	3800	4.19	10.0	5600	4.30	A+	1823	5600	5.31	A+++	1476
05+07+09+09	1500	2100	2700	2700		9000	2200	11000	2190	460	3860	4.11	10.0	5600	4.30	A+	1823	5600	5.31	A+++	1476
05+07+09+12	1500	2000	2600	2900		9000	2200	11000	2180	460	3850	4.13	10.0	5600	4.30	A+	1823	5600	5.31	A+++	1476
05+07+09+18	1400	1900	2500	3200		9000	2200	11000	2150	460	3800	4.19	10.0	5600	4.30	A+	1823	5600	5.31	A+++	1476
05+09+09+09	1200	2600	2600	2600		9000	2200	11000	2180	460	3840	4.13	10.0	5600	4.30	A+	1823	5600	5.31	A+++	1476
05+09+09+12	1200	2500	2500	2800		9000	2200	11000	2170	460	3820	4.15	10.0	5600	4.30	A+	1823	5600	5.31	A+++	1476
05+09+12+12	1200	2400	2700	2700		9000	2200	11000	2160	460	3810	4.17	10.0	5600	4.30	A+	1823	5600	5.31	A+++	1476
07+07+07+07	2250	2250	2250	2250		9000	2200	11000	2150	460	3880	4.19	10.0	5600	4.40	A+	1782	5600	5.31	A+++	1476
07+07+07+09	2167	2167	2167	2500		9000	2200	11000	2140	460	3870	4.21	10.0	5600	4.40	A+	1782	5600	5.31	A+++	1476
07+07+07+12	2035	2035	2035	2895		9000	2200	11000	2130	460	3860	4.23	10.1	5600	4.40	A+	1782	5600	5.31	A+++	1476
07+07+07+18	1760	1760	1760	3720		9000	2200	11000	2120	460	3800	4.25	10.2	5600	4.40	A+	1782	5600	5.31	A+++	1476
07+07+09+09	2090	2090	2410	2410		9000	2200	11000	2140	460	3850	4.21	10.1	5600	4.40	A+	1782	5600	5.31	A+++	1476
07+07+09+12	1965	1965	2270	2800		9000	2200	11000	2130	460	3840	4.23	10.1	5600	4.50	A+	1742	5600	5.31	A+++	1476
07+07+12+12	1860	1860	2640	2640		9000	2200	11000	2120	460	3830	4.25	10.1	5600	4.50	A+	1742	5600	5.31	A+++	1476
07+09+09+09	2010	2330	2330	2330		9000	2200	11000	2130	460	3820	4.23	10.1	5600	4.50	A+	1742	5600	5.31	A+++	1476
07+09+09+12	1900	2195	2195	2710		9000	2200	11000	2120	460	3830	4.25	10.1	5600	4.50	A+	1742	5600	5.31	A+++	1476

■ 5AMW105U4RQC/AMW5-36U4RQC

Combination of Indoor Units	Cooling Capacity																
	A	B	C	D	E	Total Capacity (W)			Power Input (W)			EER	(A)	Pdc (W)	SEER	Energy class	Qce
	W	W	W	W	W	NOM	MIN	MAX	NOM	MIN	MAX	W/W					
09+24	2500	7000				9500	2500	12000	2650	700	4500	3.58	11.9	9500	7.20	A++	462
12+18	3500	5000				8500	2500	12000	2650	700	4500	3.21	11.9	8500	7.20	A++	413
12+24	3200	6800				10000	2500	12000	2650	700	4500	3.77	11.9	10000	7.20	A++	486
18+18	5000	5000				10000	2500	12000	2650	700	4500	3.77	11.9	10000	7.20	A++	486
18+24	4000	6000				10000	2500	12000	2650	700	4500	3.77	11.9	10000	7.20	A++	486
24+24	5000	5000				10000	2500	12000	2650	700	4500	3.77	11.9	10000	7.20	A++	486
07+07+18	2000	2000	5000			9000	2500	12000	2650	700	4750	3.40	11.9	9000	7.30	A++	432
07+07+24	2000	2000	6000			10000	2500	12000	2650	700	4750	3.77	11.9	10000	7.30	A++	479
07+09+18	2000	2500	5000			9500	2500	12000	2650	700	4750	3.58	11.9	9500	7.30	A++	455
07+09+24	2000	2500	5500			10000	2500	12000	2650	700	4750	3.77	11.9	10000	7.30	A++	479
07+12+12	2000	3500	3500			9000	2500	12000	2650	700	4750	3.40	11.9	9000	7.30	A++	432
07+12+18	2000	3500	4500			10000	2500	12000	2650	700	4750	3.77	11.9	10000	7.30	A++	479
07+12+24	2000	3000	5000			10000	2500	12000	2650	700	4750	3.77	11.9	10000	7.30	A++	479
07+18+18	2000	4000	4000			10000	2500	12000	2650	700	4750	3.77	11.9	10000	7.30	A++	479
07+18+24	2000	3500	4500			10000	2500	12000	2650	700	4750	3.77	11.9	10000	7.30	A++	479
09+09+12	2500	2500	3500			8500	2500	12000	2650	700	4750	3.21	11.9	8500	7.30	A++	408
09+09+18	2500	2500	5000			10000	2500	12000	2650	700	4750	3.77	11.9	10000	7.30	A++	479
09+09+24	2300	2300	5400			10000	2500	12000	2650	700	4750	3.77	11.9	10000	7.30	A++	479
12+12+12	3333	3333	3334			10000	2500	12000	2650	700	4750	3.77	11.9	10000	7.30	A++	479
12+12+18	3000	3000	4000			10000	2500	12000	2650	700	4750	3.77	11.9	10000	7.30	A++	479
12+12+24	2500	2500	5000			10000	2500	12000	2650	700	4750	3.77	11.9	10000	7.30	A++	479
12+18+18	3000	3500	3500			10000	2500	12000	2650	700	4750	3.77	11.9	10000	7.30	A++	479
12+18+24	2500	3500	5000			11000	2500	12000	2650	700	4750	4.15	11.9	11000	7.30	A++	527
18+18+18	3333	3333	3334			10000	2500	12000	2650	700	4750	3.77	11.9	10000	7.30	A++	479
07+07+07+09	2000	2000	2000	2500		8500	2500	12000	2500	700	5000	3.40	11.2	8500	7.40	A++	402
07+07+07+12	2000	2000	2000	3500		9500	2500	12000	2550	700	5000	3.73	11.4	9500	7.40	A++	449
07+07+07+18	2000	2000	2000	4000		10000	2500	12000	2650	700	5000	3.77	11.9	10000	7.40	A++	473
07+07+07+24	1800	1800	1800	4600		10000	2500	12000	2650	700	5000	3.77	11.9	10000	7.40	A++	473
07+07+09+09	2000	2000	2500	2500		9000	2500	12000	2550	700	5000	3.53	11.4	9000	7.40	A++	426
07+07+09+12	2000	2000	2500	3500		10000	2500	12000	2650	700	5000	3.77	11.9	10000	7.40	A++	473
07+07+09+18	1500	1500	2300	4700		10000	2500	12000	2650	700	5000	3.77	11.9	10000	7.40	A++	473
07+07+09+24	1500	1500	2000	5000		10000	2500	12000	2650	700	5000	3.77	11.9	10000	7.40	A++	473
07+07+12+12	2000	2000	3000	3000		10000	2500	12000	2650	700	5000	3.77	11.9	10000	7.40	A++	473
07+07+12+18	1800	1800	3000	3400		10000	2500	12000	2650	700	5000	3.77	11.9	10000	7.40	A++	473
07+07+12+24	1500	1500	2500	4500		10000	2500	12000	2650	700	5000	3.77	11.9	10000	7.40	A++	473
07+07+18+18	1500	1500	3500	3500		10000	2500	12000	2650	700	5000	3.77	11.9	10000	7.40	A++	473
07+09+09+09	2000	2500	2500	2500		9500	2500	12000	2600	700	5000	3.65	11.6	9500	7.40	A++	449
07+09+09+12	2000	2500	2500	3000		10000	2500	12000	2650	700	5000	3.77	11.9	10000	7.40	A++	473
07+09+09+18	1800	2400	2400	3400		10000	2500	12000	2650	700	5000	3.77	11.9	10000	7.40	A++	473
07+09+09+24	1500	2300	2300	3900		10000	2500	12000	2650	700	5000	3.77	11.9	10000	7.40	A++	473
07+09+12+12	1800	2200	3000	3000		10000	2500	12000	2650	700	5000	3.77	11.9	10000	7.40	A++	473
07+09+12+18	1500	2000	2500	4000		10000	2500	12000	2650	700	5000	3.77	11.9	10000	7.40	A++	473
07+09+12+24	1500	2000	2500	4000		10000	2500	12000	2650	700	5000	3.77	11.9	10000	7.40	A++	473
07+09+18+18	1500	2100	3200	3200		10000	2500	12000	2650	700	5000	3.77	11.9	10000	7.40	A++	473
07+12+12+12	1300	2900	2900	2900		10000	2500	12000	2650	700	5000	3.77	11.9	10000	7.40	A++	473
07+12+12+18	1300	2500	2500	3700		10000	2500	12000	2650	700	5000	3.77	11.9	10000	7.40	A++	473
09+09+09+09	2500	2500	2500	2500		10000	2500	12000	2680	700	5000	3.73	12.0	10000	7.50	A++	467
09+09+09+12	2200	2200	2200	3400		10000	2500	12000	2650	700	5000	3.77	11.9	10000	7.60	A++	461
09+09+09+18	2000	2000	2000	4000		10000	2500	12000	2650	700	5000	3.77	11.9	10000	7.60	A++	461
09+09+09+24	1900	1900	1900	4300		10000	2500	12000	2650	700	5000	3.77	11.9	10000	7.60	A++	461
09+09+12+12	2000	2000	3000	3000		10000	2500	12000	2650	700	5000	3.77	11.9	10000	7.60	A++	461
09+09+12+18	2000	2000	2500	3500		10000	2500	12000	2650	700	5000	3.77	11.9	10000	7.60	A++	461
09+09+12+24	2000	2000	2300	3700		10000	2500	12000	2650	700	5000	3.77	11.9	10000	7.60	A++	461
09+09+18+18	2000	2000	3000	3000		10000	2500	12000	2650	700	5000	3.77	11.9	10000	7.60	A++	461
09+12+12+12	1900	2700	2700	2700		10000	2500	12000	2650	700	5000	3.77	11.9	10000	7.60	A++	461
09+12+12+18	1900	2500	2500	3100		10000	2500	12000	2650	700	5000	3.77	11.9	10000	7.60	A++	461
12+12+12+12	2500	2500	2500	2500		10000	2500	12000	2600	700	5000	3.85	11.6	10000	7.60	A++	461
12+12+12+18	2100	2100	2100	3700		10000	2500	12000	2600	700	5000	3.85	11.6	10000	7.60	A++	461
07+07+07+07+07	2000	2000	2000	2000	2000	10000	2500	12000	2650	700	5000	3.77	11.9	10000	7.50	A++	467
07+07+07+07+09	1900	1900	1900	1900	2400	10000	2500	12000	2650	700	5000	3.77	11.9	10000	7.50	A++	467
07+07+07+07+12	1700	1700	1700	1700	3200	10000	2500	12000	2650	700	5000	3.77	11.9	10000	7.50	A++	467
07+07+07+07+18	1600	1600	1600	1600	3600	10000	2500	12000	2650	700	5000	3.77	11.9	10000	7.50	A++	467
07+07+07+07+24	1500	1500	1500	1500	4000	10000	2500	12000	2650	700	5000	3.77	11.9	10000	7.50	A++	467
07+07+07+09+09	1800	1800	1800	2300	2300	10000	2500	12000	2650	700	5000	3.77	11.9	10000	7.50	A++	467
07+07+07+09+12	1700	1700	1700	2200	2700	10000	2500	12000	2650	700	5000	3.77	11.9	10000	7.50	A++	467
07+07+07+09+18	1600	1600	1600	2100	3100	10000	2500	12000	2650	700	5000	3.77	11.9	10000	7.50	A++	467
07+07+07+09+24	1500	1500	1500	2000	3500	10000	2500	12000	2650	700	5000	3.77	11.9	10000	7.50	A++	467
07+07+09+09+09	1700	1700	2200	2200	2200	10000	2500	12000	2650	700	5000	3.77	11.9	10000	7.50	A++	467
07+07+09+09+12	1600	1600	2100	2100	2600	10000	2500	12000	2650	700	5000	3.77	11.9	10000	7.50	A++	467
07+07+09+09+18	1500	1500	2000	2000	3000	10000	2500	12000	2650	700	5000	3.77	11.9	10000	7.50	A++	467
07+07+09+12+12	1600	1600	2000	2400	2400	10000	2500	12000	2650	700	5000	3.77	11.9	10000	7.50	A++	467
07+07+09+12+18	1500	1500	2000	2300	2700	10000	2500	12000	2650	700	5000	3.77	11.9	10000	7.50	A++	467
07+07+12+12+12	1550	1550	2300	2300	2300	10000	2500	12000	2650	700	5000	3.77	11.9	10000	7.50	A++	467

Combination of Indoor Units	Heating Capacity																				
	A	B	C	D	E	Total Capacity (W)			Power Input (W)			COP	(A)	Average				Warmer			
	W	W	W	W	W	NOM	MIN	MAX	NOM	MIN	MAX	W/W		Pdh (W)	SCOP	Class	Qhe	Pdh (W)	SCOP	Class	Qhe
09+24	3000	7000				10000	3000	14000	2850	700	5000	3.51	12.6	7000	4.30	A+	2279	7000	5.31	A+++	1846
12+18	4000	5500				9500	3000	14000	2850	700	5000	3.33	12.6	7000	4.30	A+	2279	7000	5.31	A+++	1846
12+24	4000	7000				11000	3000	14000	2850	700	5000	3.86	12.6	7000	4.30	A+	2279	7000	5.31	A+++	1846
18+18	5500	5500				11000	3000	14000	2850	700	5000	3.86	12.6	7000	4.30	A+	2279	7000	5.31	A+++	1846
18+24	5000	6000				11000	3000	14000	2850	700	5000	3.86	12.6	7000	4.30	A+	2279	7000	5.31	A+++	1846
24+24	5500	5500				11000	3000	14000	2850	700	5000	3.86	12.6	7000	4.30	A+	2279	7000	5.31	A+++	1846
07+07+18	2500	2500	5500			10500	3000	14000	2850	700	5000	3.68	12.6	7500	4.30	A+	2442	7500	5.31	A+++	1977
07+07+24	2500	2500	6000			11000	3000	14000	2850	700	5000	3.86	12.6	7500	4.30	A+	2442	7500	5.31	A+++	1977
07+09+18	2500	3000	5500			11000	3000	14000	2850	700	5000	3.86	12.6	7500	4.30	A+	2442	7500	5.31	A+++	1977
07+09+24	2500	3000	5500			11000	3000	14000	2850	700	5000	3.86	12.6	7500	4.30	A+	2442	7500	5.31	A+++	1977
07+12+12	2500	4000	4000			10500	3000	14000	2850	700	5000	3.68	12.6	7500	4.30	A+	2442	7500	5.31	A+++	1977
07+12+18	2500	4000	4500			11000	3000	14000	2850	700	5000	3.86	12.6	7500	4.30	A+	2442	7500	5.31	A+++	1977
07+12+24	2000	3500	5500			11000	3000	14000	2850	700	5000	3.86	12.6	7500	4.30	A+	2442	7500	5.31	A+++	1977
07+18+18	2000	4500	4500			11000	3000	14000	2850	700	5000	3.86	12.6	7500	4.30	A+	2442	7500	5.31	A+++	1977
07+18+24	2000	4000	5000			11000	3000	14000	2850	700	5000	3.86	12.6	7500	4.30	A+	2442	7500	5.31	A+++	1977
09+09+12	3000	3000	4000			10000	3000	14000	2850	700	5000	3.51	12.6	7500	4.30	A+	2442	7500	5.31	A+++	1977
09+09+18	3000	3000	5000			11000	3000	14000	2850	700	5000	3.86	12.6	7500	4.30	A+	2442	7500	5.31	A+++	1977
09+09+24	2500	2500	6000			11000	3000	14000	2850	700	5000	3.86	12.6	7500	4.30	A+	2442	7500	5.31	A+++	1977
12+12+12	3666	3667	3667			11000	3000	14000	2850	700	5000	3.86	12.6	7500	4.30	A+	2442	7500	5.31	A+++	1977
12+12+18	3000	3000	5000			11000	3000	14000	2850	700	5000	3.86	12.6	7500	4.30	A+	2442	7500	5.31	A+++	1977
12+12+24	2800	2800	5400			11000	3000	14000	2850	700	5000	3.86	12.6	7500	4.30	A+	2442	7500	5.31	A+++	1977
12+18+18	3000	4000	4000			11000	3000	14000	2850	700	5000	3.86	12.6	7500	4.30	A+	2442	7500	5.31	A+++	1977
12+18+24	2500	3500	5000			11000	3000	14000	2850	700	5000	3.86	12.6	7500	4.30	A+	2442	7500	5.31	A+++	1977
18+18+18	3666	3667	3667			11000	3000	14000	2850	700	5000	3.86	12.6	7500	4.30	A+	2442	7500	5.31	A+++	1977
07+07+07+09	2500	2500	2500	3500		11000	3000	14000	2820	700	5000	3.90	12.5	8000	4.30	A+	2605	8000	5.31	A+++	2109
07+07+07+12	2100	2100	2100	4700		11000	3000	14000	2820	700	5000	3.90	12.5	8000	4.30	A+	2605	8000	5.31	A+++	2109
07+07+07+18	2000	2000	2000	5000		11000	3000	14000	2820	700	5000	3.90	12.5	8000	4.30	A+	2605	8000	5.31	A+++	2109
07+07+07+24	1900	1900	1900	5300		11000	3000	14000	2820	700	5000	3.90	12.5	8000	4.30	A+	2605	8000	5.31	A+++	2109
07+07+09+09	2500	2500	3000	3000		11000	3000	14000	2820	700	5000	3.90	12.5	8000	4.30	A+	2605	8000	5.31	A+++	2109
07+07+09+12	2300	2300	2400	4000		11000	3000	14000	2820	700	5000	3.90	12.5	8000	4.30	A+	2605	8000	5.31	A+++	2109
07+07+09+18	2100	2100	2300	4500		11000	3000	14000	2820	700	5000	3.90	12.5	8000	4.30	A+	2605	8000	5.31	A+++	2109
07+07+09+24	2000	2000	2200	4800		11000	3000	14000	2820	700	5000	3.90	12.5	8000	4.30	A+	2605	8000	5.31	A+++	2109
07+07+12+12	2500	2500	3000	3000		11000	3000	14000	2820	700	5000	3.90	12.5	8000	4.30	A+	2605	8000	5.31	A+++	2109
07+07+12+18	2300	2300	3000	3400		11000	3000	14000	2820	700	5000	3.90	12.5	8000	4.30	A+	2605	8000	5.31	A+++	2109
07+07+12+24	2100	2100	3000	3800		11000	3000	14000	2820	700	5000	3.90	12.5	8000	4.30	A+	2605	8000	5.31	A+++	2109
07+07+18+18	2000	2000	3500	3500		11000	3000	14000	2820	700	5000	3.90	12.5	8000	4.30	A+	2605	8000	5.31	A+++	2109
07+09+09+09	2000	3000	3000	3000		11000	3000	14000	2820	700	5000	3.90	12.5	8000	4.30	A+	2605	8000	5.31	A+++	2109
07+09+09+12	2000	2800	2800	3400		11000	3000	14000	2820	700	5000	3.90	12.5	8000	4.30	A+	2605	8000	5.31	A+++	2109
07+09+09+18	2000	2600	2600	3800		11000	3000	14000	2820	700	5000	3.90	12.5	8000	4.30	A+	2605	8000	5.31	A+++	2109
07+09+09+24	2000	2500	2500	4000		11000	3000	14000	2820	700	5000	3.90	12.5	8000	4.30	A+	2605	8000	5.31	A+++	2109
07+09+12+12	2000	2200	3400	3400		11000	3000	14000	2820	700	5000	3.90	12.5	8000	4.30	A+	2605	8000	5.31	A+++	2109
07+09+12+18	2000	2200	3000	3800		11000	3000	14000	2820	700	5000	3.90	12.5	8000	4.30	A+	2605	8000	5.31	A+++	2109
07+09+12+24	1900	2100	2500	4500		11000	3000	14000	2820	700	5000	3.90	12.5	8000	4.30	A+	2605	8000	5.31	A+++	2109
07+09+18+18	1800	2000	3600	3600		11000	3000	14000	2820	700	5000	3.90	12.5	8000	4.30	A+	2605	8000	5.31	A+++	2109
07+12+12+12	2000	3000	3000	3000		11000	3000	14000	2820	700	5000	3.90	12.5	8000	4.30	A+	2605	8000	5.31	A+++	2109
07+12+12+18	1800	2800	2800	3600		11000	3000	14000	2820	700	5000	3.90	12.5	8000	4.30	A+	2605	8000	5.31	A+++	2109
09+09+09+09	2750	2750	2750	2750		11000	3000	14000	2820	700	5000	3.90	12.5	8000	4.40	A+	2545	8000	5.31	A+++	2109
09+09+09+12	2500	2500	2500	3500		11000	3000	14000	2800	700	5000	3.93	12.4	8000	4.40	A+	2545	8000	5.31	A+++	2109
09+09+09+18	2300	2300	2300	4100		11000	3000	14000	2800	700	5000	3.93	12.4	8000	4.40	A+	2545	8000	5.31	A+++	2109
09+09+09+24	2100	2100	2100	4700		11000	3000	14000	2800	700	5000	3.93	12.4	8000	4.40	A+	2545	8000	5.31	A+++	2109
09+09+12+12	2500	2500	3000	3000		11000	3000	14000	2800	700	5000	3.93	12.4	8000	4.40	A+	2545	8000	5.31	A+++	2109
09+09+12+18	2300	2300	3000	3400		11000	3000	14000	2800	700	5000	3.93	12.4	8000	4.40	A+	2545	8000	5.31	A+++	2109
09+09+12+24	2100	2100	2800	4000		11000	3000	14000	2800	700	5000	3.93	12.4	8000	4.40	A+	2545	8000	5.31	A+++	2109
09+09+18+18	2100	2100	3400	3400		11000	3000	14000	2800	700	5000	3.93	12.4	8000	4.40	A+	2545	8000	5.31	A+++	2109
09+12+12+12	2000	3000	3000	3000		11000	3000	14000	2800	700	5000	3.93	12.4	8000	4.40	A+	2545	8000	5.31	A+++	2109
09+12+12+18	1800	2800	2800	3600		11000	3000	14000	2800	700	5000	3.93	12.4	8000	4.40	A+	2545	8000	5.31	A+++	2109
12+12+12+12	2750	2750	2750	2750		11000	3000	14000	2800	700	5000	3.93	12.4	8000	4.40	A+	2545	8000	5.31	A+++	2109
12+12+12+18	2500	2500	2500	3500		11000	3000	14000	2800	700	5000	3.93	12.4	8000	4.40	A+	2545	8000	5.31	A+++	2109
07+07+07+07+07	2200	2200	2200	2200	2200	11000	3000	14000	2780	700	5000	3.96	12.3	8000	4.40	A+	2545	8000	5.31	A+++	2109
07+07+07+07+09	2100	2100	2100	2100	2600	11000	3000	14000	2780	700	5000	3.96	12.3	8000	4.40	A+	2545	8000	5.31	A+++	2109
07+07+07+07+12	2000	2000	2000	2000	3000	11000	3000	14000	2780	700	5000	3.96	12.3	8000	4.40	A+	2545	8000	5.31	A+++	2109
07+07+07+07+18	1900	1900	1900	1900	3400																

■ AMW125U4SE+F15(E)/AMW-42U4SE+F15E(E)

Combination of Indoor Units	Cooling Capacity																
	A	B	C	D	E	Total Capacity (W)			Power Input (W)			Pdc (W)	(A)	SEER	EER W/W	Energy class	Qce
	W	W	W	W	W	NOM	MIN	MAX	NOM	MIN	MAX						
07+07+12	2100	2100	3500			7700	3200	8200	2530	850	3530	7700	11.3	5.65	3.04		477
07+07+18	2100	2100	5000			9200	3200	9700	2900	850	3900	9200	13.0	5.66	3.17		569
07+07+24	2100	2100	7000			11200	3200	11700	3450	850	4450	11200	15.5	5.67	3.25		691
07+07+28	2100	2100	7800			12000	3300	12500	3800	850	4800	12000	17.0	5.68	3.16		739
07+09+12	2100	2600	3500			8200	3200	8700	2590	850	3590	8200	11.6	5.65	3.17		508
07+09+18	2100	2600	5000			9700	3200	10200	3200	850	4200	9700	14.3	5.66	3.03		600
07+09+24	2100	2600	6800			11500	3200	12000	3620	850	4620	11500	16.2	5.67	3.18		710
07+09+28	2100	2600	7800			12500	3300	13000	3850	850	4850	12500	17.3	5.68	3.25		770
07+12+12	2100	3500	3500			9100	3200	9600	3035	850	4035	9100	13.6	5.67	3.00		562
07+12+18	2100	3500	5000			10600	3200	11100	3350	850	4350	10600	15.0	5.74	3.16		646
07+12+24	2100	3500	6500			12100	3200	12600	3665	850	4665	12100	16.4	5.75	3.30		737
07+12+28	2100	3200	7200			12500	3200	13000	3900	850	4900	12500	17.5	5.76	3.21		760
07+18+18	2100	5000	5000			12100	3200	12600	3680	850	4680	12100	16.5	5.79	3.29		731
07+18+24	2100	4200	6200			12500	3200	13000	3895	850	4895	12500	17.5	5.80	3.21		754
07+18+28	2100	4200	6200			12500	3200	13000	3800	850	4800	12500	17.0	5.79	3.29		756
09+09+09	2600	2600	2600			7800	3200	8300	2710	850	3710	7800	12.1	5.80	2.88		471
09+09+12	2600	2600	3200			8400	3200	8900	2725	850	3725	8400	12.2	5.81	3.08		506
09+09+18	2600	2600	5000			10200	3200	10700	3140	850	4140	10200	14.1	5.82	3.25		613
09+09+24	2600	2600	7000			12200	3200	12700	3755	850	4755	12200	16.8	5.67	3.25		753
09+09+28	2600	2600	7300			12500	3200	13000	3950	850	4950	12500	17.7	5.84	3.16		749
09+12+12	2600	3200	3200			9000	3200	9500	2770	850	3770	9000	12.4	5.67	3.25		556
09+12+18	2600	3200	5000			10800	3200	11300	3785	850	4785	10800	17.0	5.86	2.85		645
09+12+24	2600	3200	6000			11800	3200	12300	3800	850	4800	11800	17.0	5.87	3.11		704
09+12+28	2600	3200	6600			12400	3200	12900	3850	850	4850	12400	17.3	5.88	3.22		738
09+18+18	2600	4800	4800			12200	3200	12700	3815	850	4815	12200	17.1	5.89	3.20		725
09+18+24	2600	4000	5500			12100	3200	12600	3830	850	4830	12100	17.2	5.9	3.16		718
09+18+28	2600	4000	5800			12400	3200	12900	3900	850	4900	12400	17.5	5.91	3.18		734
12+12+12	3200	3200	3200			9600	3200	10100	2845	850	3845	9600	12.8	5.92	3.37		568
12+12+18	3200	3200	5000			11400	3200	11900	3860	850	4860	11400	17.3	5.93	2.95		673
12+12+24	3000	3000	6200			12200	3200	12700	3875	850	4875	12200	17.4	5.94	3.15		719
12+12+28	3000	3000	6500			12500	3200	13000	3965	850	4965	12500	17.8	5.95	3.15		735
12+18+18	3000	4500	4500			12000	3200	12500	3890	850	4890	12000	17.4	5.96	3.08		705
12+18+24	2400	4000	5800			12200	3200	12700	3905	850	4905	12200	17.5	5.89	3.12		725
18+18+18	4200	4200	4200			12600	3200	13100	3900	850	4900	12600	17.5	5.9	3.23		747

Combination of Indoor Units	Heating Capacity																
	A	B	C	D	E	Total Capacity (W)			Power Input (W)			Pdh (W)	(A)	SCOP	COP W/W	Energy class	Qhe
	W	W	W	W	W	NOM	MIN	MAX	NOM	MIN	MAX						
07+07+12	2600	2600	3700			8900	3200	9400	2830	700	3330	6000	12.6	3.81	3.14		2205
07+07+18	2600	2600	5500			10700	3200	11200	2845	700	3345	8000	12.6	3.81	3.76		2940
07+07+24	2600	2600	7200			12400	3500	12900	3160	700	3660	10000	14.0	3.85	3.92		3636
07+07+28	2600	2600	8000			13200	3600	13700	3400	700	3900	11000	15.1	3.89	3.88		3959
07+09+12	2600	3000	3700			9300	3200	9800	2890	700	3390	7000	12.8	3.81	3.22		2572
07+09+18	2600	3000	5500			11100	3200	11600	2905	700	3405	9000	12.9	3.81	3.82		3307
07+09+24	2600	3000	7100			12700	3200	13200	3320	700	3820	10000	14.7	3.85	3.83		3636
07+09+28	2600	3000	8600			14200	3300	14700	3800	700	4300	11000	16.9	3.89	3.74		3959
07+12+12	2600	3700	3700			10000	3200	10500	2935	700	3435	8000	13.0	3.81	3.41		2940
07+12+18	2600	3700	5500			11800	3200	12300	2950	700	3450	9000	13.1	3.81	4.00		3307
07+12+24	2600	3700	7000			13300	3200	13800	3365	700	3865	11000	14.9	3.89	3.95		3959
07+12+28	2600	3700	8000			14300	3200	14800	4100	700	4600	11000	18.2	3.89	3.49		3959
07+18+18	2600	5500	5500			13600	3200	14100	3580	700	4080	11000	15.9	3.89	3.80		3959
07+18+24	2600	5000	6500			14100	3200	14600	3995	700	4640	11000	17.7	3.89	3.53		3959
07+18+28	2600	4200	7200			14000	3200	14500	4100	700	5250	11000	18.2	3.89	3.41		3959
09+09+09	3000	3000	3000			9000	3200	9500	3010	700	3510	7000	13.4	3.81	2.99		2572
09+09+12	3000	3000	3700			9700	3200	10200	3025	700	3525	7000	13.4	3.81	3.21		2572
09+09+18	3000	3000	5500			11500	3200	12000	3040	700	3540	9000	13.5	3.81	3.78		3307
09+09+24	3000	3000	7000			13000	3200	13500	3355	700	3855	11000	14.9	3.89	3.87		3959
09+09+28	3000	3000	8100			14100	3200	14600	3550	700	4050	11000	15.7	3.89	3.97		3959
09+12+12	3000	3700	3700			10400	3200	10900	3070	700	3570	8000	13.6	3.81	3.39		2940
09+12+18	3000	3700	5500			12200	3200	12700	3085	700	3585	10000	13.7	3.85	3.95		3636
09+12+24	3000	3700	6800			13500	3200	14000	3300	700	3800	11000	14.6	3.89	4.09		3959
09+12+28	3000	3700	7600			14300	3200	14800	3760	700	4260	11000	16.7	3.89	3.80		3959
09+18+18	3000	5500	5500			14000	3200	14500	3715	700	4215	11000	16.5	3.89	3.77		3959
09+18+24	2800	4200	6500			13500	3200	14000	3530	700	4030	11000	15.7	3.89	3.82		3959
09+18+28	2800	4000	7000			13800	3200	14300	3670	700	4170	11000	16.3	3.89	3.76		3959
12+12+12	3700	3700	3700			11100	3200	11600	3145	700	3445	9000	14.0	3.81	3.53		3307
12+12+18	3700	3700	5500			12900	3200	13400	3160	700	3460	10000	14.0	3.85	4.08		3636
12+12+24	3500	3500	6500			13500	3200	14000	3375	700	4500	11000	15.0	3.89	4.00		3959
12+12+28	3500	3500	7000			14000	3200	14500	3750	700	5100	11000	16.6	3.89	3.73		3959
12+18+18	3500	5000	5000			13500	3200	14000	3590	700	3890	11000	15.9	3.89	3.76		3959
12+18+24	3000	4500	6000			13500	3200	14000	3605	700	4850	11000	16.0	3.89	3.74		3959
18+18+18	4500	4500	4500			13500	3200	14000	3600	700	4800	11000	16.0	3.89	3.75		3959

■ AMW125U4SE+F15(E)/AMW-42U4SE+F15E(E)

Combination of Indoor Units	Cooling Capacity																
	A	B	C	D	E	Total Capacity (W)			Power Input (W)			Pdc (W)	(A)	SEER	EER W/W	Energy class	Qce
	W	W	W	W	W	NOM	MIN	MAX	NOM	MIN	MAX						
07+07+07+07	2100	2100	2100	2100		8400	3500	8900	3000	950	4000	8400	13.4	5.71	2.80		515
07+07+07+09	2100	2100	2100	2600		8900	3500	9400	3210	950	4210	8900	14.4	5.87	2.77		531
07+07+07+12	2100	2100	2100	3200		9500	3500	10000	3220	950	4220	9500	14.4	5.88	2.95		565
07+07+07+18	2100	2100	2100	5000		11300	3500	11800	3430	950	4430	11300	15.4	5.89	3.29		671
07+07+07+24	2100	2100	2100	6000		12300	3500	12800	3840	950	4840	12300	17.2	5.9	3.20		730
07+07+07+28	2100	2100	2100	6200		12500	3500	13000	3790	950	4790	12500	17.0	5.91	3.30		740
07+07+09+09	2100	2100	2600	2600		9400	3500	9900	3250	950	4250	9400	14.6	5.92	2.89		556
07+07+09+12	2100	2100	2600	3200		10000	3500	10500	3260	950	4260	10000	14.6	5.93	3.07		590
07+07+09+18	2100	2100	2600	5000		11800	3500	12300	3670	950	4670	11800	16.5	5.94	3.22		695
07+07+09+24	2100	2100	2500	5500		12200	3500	12700	3880	950	4880	12200	17.4	5.95	3.14		718
07+07+09+28	2100	2100	2500	5800		12500	3500	13000	3800	950	4800	12500	17.0	5.96	3.29		734
07+07+12+12	2100	2100	3200	3200		10600	3500	11100	3290	950	4290	10600	14.7	5.89	3.22		630
07+07+12+18	2100	2100	3200	5000		12400	3500	12900	3700	950	4700	12400	16.6	5.71	3.35		760
07+07+12+24	2000	2000	2500	5900		12400	3500	12900	3710	950	4710	12400	16.6	5.96	3.34		728
07+07+12+28	2000	2000	2500	6000		12500	3500	13000	3750	950	4750	12500	16.8	5.96	3.33		734
07+07+18+18	1800	1800	4200	4200		12000	3500	12500	3720	950	4720	12000	16.7	5.96	3.23		705
07+09+09+09	2100	2600	2600	2600		9900	3500	10400	3330	950	4330	9900	14.9	5.96	2.97		581
07+09+09+12	2100	2600	2600	3200		10500	3500	11000	3340	950	4340	10500	15.0	5.96	3.14		617
07+09+09+18	2100	2600	2600	5000		12300	3500	12800	3750	950	4750	12300	16.8	5.96	3.28		722
07+09+09+24	2000	2500	2500	5500		12500	3500	13000	3760	950	4760	12500	16.9	5.96	3.32		734
07+09+09+28	2000	2500	2500	5400		12400	3500	12900	3860	950	4860	12400	17.3	5.96	3.21		728
07+09+12+12	2100	2600	3200	3200		11100	3500	11600	3370	950	4370	11100	15.1	5.96	3.29		652
07+09+12+18	2100	2400	3000	4800		12300	3500	12800	3680	950	4680	12300	16.5	5.81	3.34		741
07+09+12+24	2000	2200	2800	5300		12300	3500	12800	3690	950	4690	12300	16.5	5.82	3.33		740
07+09+18+18	1700	2600	4100	4100		12500	3500	13000	3700	950	4700	12500	16.6	5.67	3.38		772
07+12+12+12	2100	3200	3200	3200		11700	3500	12200	3610	950	4610	11700	16.2	5.84	3.24		701
07+12+12+18	2100	3000	3000	4200		12300	3500	12800	3820	950	4820	12300	17.1	5.67	3.22		759
07+12+12+24	2000	2600	2600	5100		12300	3500	12800	3730	950	4730	12300	16.7	5.89	3.30		731
07+12+18+18	1800	2600	4000	4000		12400	3500	12900	3840	950	4840	12400	17.2	5.71	3.23		760
09+09+09+09	2600	2600	2600	2600		10400	3500	10900	3450	950	4450	10400	15.5	5.95	3.01		612
09+09+09+12	2600	2600	2600	3200		11000	3500	11500	3460	950	4460	11000	15.5	5.95	3.18		647
09+09+09+18	2400	2400	2400	4800		12000	3500	12500	3570	950	4570	12000	16.0	5.95	3.36		706
09+09+09+24	2300	2300	2300	5300		12200	3500	12700	3880	950	4880	12200	17.4	5.95	3.14		718
09+09+09+28	2300	2300	2300	5600		12500	3500	13000	3950	950	4950	12500	17.7	5.95	3.16		735
09+09+12+12	2600	2600	3200	3200		11600	3500	12100	3490	950	4490	11600	15.6	5.95	3.32		682
09+09+12+18	2300	2300	3000	4600		12200	3500	12700	3800	950	4800	12200	17.0	5.95	3.21		718
09+09+12+24	2200	2200	2800	5200		12400	3500	12900	3810	950	4810	12400	17.1	5.95	3.25		729
09+09+18+18	2300	2300	3800	3800		12200	3500	13500	3720	950	4720	12200	16.7	5.95	3.28		718
09+12+12+12	2600	3200	3200	3200		12200	3500	13500	3730	950	4730	12200	16.7	5.95	3.27		718
09+12+12+18	2500	2800	2800	4000		12100	3500	13500	3740	950	4740	12100	16.8	5.95	3.24		712
09+12+18+18	1800	2500	4000	4000		12300	3500	13500	3650	950	4650	12300	16.4	5.95	3.37		724
12+12+12+12	2500	2500	2500	2500		10000	3500	13500	3560	950	4560	10000	16.0	5.95	2.81		588
12+12+12+18	2800	2800	2800	4100		12500	3500	13500	3670	950	4670	12500	16.5	5.97	3.41		733
07+07+07+07+18	2000	2000	2000	2000	4500	12500	3800	13500	3900	1000	5100	12500	18.0	5.95	3.21		735
07+07+07+07+24	1800	1800	1800	1800	5300	12500	3800	13500	3910	1000	5100	12500	17.5	5.93	3.20		738
07+07+07+09+18	1900	1900	1900	2300	4500	12500	3800	13500	3910	1000	5100	12500	17.5	5.91	3.20		740
07+07+07+09+24	1800	1800	1800	2000	5100	12500	3800	13500	3910	1000	5100	12500	17.5	5.95	3.20		735
07+07+07+12+18	1800	1800	1800	2600	4500	12500	3800	13500	3910	1000	5100	12500	17.5	5.92	3.20		739
07+07+07+18+18	1800	1800	1800	3550	3550	12500	3800	13500	3910	1000	5100	12500	17.5	5.92	3.20		739
07+07+09+09+18	1800	1800	2300	2300	4300	12500	3800	13500	3910	1000	5100	12500	17.5	5.92	3.20		739
07+07+09+09+24	1600	1600	2000	2000	5300	12500	3800	13500	3910	1000	5100	12500	17.5	5.92	3.20		739
07+07+09+12+18	1800	1800	2100	2700	4100	12500	3800	13500	3910	1000	5100	12500	17.5	5.91	3.20		740
07+07+09+18+18	1500	1500	1900	3800	3800	12500	3800	13500	3910	1000	5100	12500	17.5	5.91	3.20		740
07+07+12+12+18	1600	1600	2600	2600	4100	12500	3800	13500	3910	1000	5100	12500	17.5	5.91	3.20		740
07+07+12+18+18	1500	1500	1900	3800	3800	12500	3800	13500	3910	1000	5100	12500	17.5	5.91	3.20		740
07+09+09+09+18	1800	2200	2200	2200	4100	12500	3800	13500	3910	1000	5100	12500	17.5	5.91	3.20		740
07+09+09+09+24	1600	1800	1800	2000	5300	12500	3800	13500	3910	1000	5100	12500	17.5	5.93	3.20		738
07+09+09+12+18	1800	2100	2100	2600	3900	12500	3800	13500	3910	1000	5100	12500	17.5	5.91	3.20		740
07+09+09+18+18	1500	1900	1900	3600	3600	12500	3800	13500	3910	1000	5100	12500	17.5	5.91	3.20		740
07+09+12+12+18	1600	2000	2600	2600	3700	12500	3800	13500	3910	1000	5100	12500	17.5	5.91	3.20		740
07+12+12+12+18	1600	2400	2400	2400	3700	12500	3800	13500	3910	1000	5100	12500	17.5	5.97	3.20		733
09+09+09+09+18	2100	2100	2100	2100	4100	12500	3800	13500	3910	1000	5100	12500	17.5	6.01	3.20		728
09+09+09+09+24	1800	1800	1800	1800	5300	12500	3800	13500	3910	1000	5100	12500	17.5	6.05	3.20		723
09+09+09+12+18	2000	2000	2000	2600	3900	12500	3800	13500	3910	1000	5100	12500	17.5	6.07	3.20		721
09+09+09+18+18	1900	1900	1900	3400	3400	12500	3800	13500	3910	1000	5100	12500	17.5	6.03	3.20		726
09+09+12+12+18	1900	1900	2400	2400	3900	12500	3800	13500	3910	1000	5100	12500	17.5	6.05	3.20		723
09+12+12+12+18	1900	2300	2300	2300	3700	12500	3800	13500	4030	1000	5100	12500	18.1	6.07	3.10		721

Combination of Indoor Units	Heating Capacity																
	A	B	C	D	E	Total Capacity (W)			Power Input (W)			Pdh (W)	(A)	SCOP	COP W/W	Energy class	Qhe
	W	W	W	W	W	NOM	MIN	MAX	NOM	MIN	MAX						
07+07+07+07	2600	2600	2600	2600		10400	3600	10900	3250	850	3550	9000	14.4	3.81	3.20		3307
07+07+07+09	2600	2600	2600	3000		10800	3600	11300	3260	850	3560	9000	14.5	3.81	3.31		3307
07+07+07+12	2600	2600	2600	3700		11500	3600	12000	3270	850	3570	9000	14.5	3.81	3.52		3307
07+07+07+18	2600	2600	2600	5500		13300	3600	13800	3280	850	3580	11000	14.6	3.89	4.05		3959
07+07+07+24	2500	2500	2500	6000		13500	3600	14000	3290	850	3590	11000	14.6	3.89	4.10		3959
07+07+07+28	2500	2500	2500	7000		14500	3600	15000	3760	850	4060	11000	16.7	3.89	3.86		3959
07+07+09+09	2600	2600	3000	3000		11200	3600	11700	3300	850	3600	9000	14.6	3.81	3.39		3307
07+07+09+12	2600	2600	3000	3700		11900	3600	12400	3310	850	3610	9000	14.7	3.81	3.60		3307
07+07+09+18	2600	2600	3000	5200		13400	3600	13900	3320	850	3620	11000	14.7	3.89	4.04		3959
07+07+09+24	2200	2200	3000	6000		13400	3600	13900	3330	850	3630	11000	14.8	3.89	4.02		3959
07+07+09+28	2200	2200	3000	7000		14400	3600	14900	3650	850	3950	11000	16.2	3.89	3.95		3959
07+07+12+12	2600	2600	3700	3700		12600	3600	13100	3340	850	3640	10000	14.8	3.85	3.77		3636
07+07+12+18	2500	2500	3500	5000		13500	3600	14000	3350	850	3650	11000	14.9	3.89	4.03		3959
07+07+12+24	2600	2600	2800	5300		13300	3600	13800	3360	850	3660	11000	14.9	3.89	3.96		3959
07+07+12+28	2200	2200	2800	6800		14000	3600	14500	3800	850	4100	11000	16.9	3.89	3.68		3959
07+07+18+18	2100	2100	4600	4600		13400	3600	13900	3370	850	3670	11000	15.0	3.89	3.98		3959
07+09+09+09	2600	3000	3000	3000		11600	3600	12100	3380	850	3680	9000	15.0	3.81	3.43		3307
07+09+09+12	2600	3000	3000	3700		12300	3600	12800	3390	850	3690	10000	15.0	3.85	3.63		3636
07+09+09+18	2400	3000	3000	5000		13400	3600	13900	3400	850	3700	11000	15.1	3.89	3.94		3959
07+09+09+24	2600	2800	2800	5000		13200	3600	13700	3410	850	3710	11000	15.1	3.89	3.87		3959
07+09+09+28	2600	2800	2800	6300		14500	3600	15000	3800	850	4100	11000	16.9	3.89	3.82		3959
07+09+12+12	2600	3000	3700	3700		13000	3600	13500	3420	850	3720	11000	15.2	3.89	3.80		3959
07+09+12+18	2600	2800	3000	5000		13400	3600	13900	3430	850	3730	11000	15.2	3.89	3.91		3959
07+09+12+24	2300	2500	3000	5500		13300	3600	13800	3440	850	3740	11000	15.3	3.89	3.87		3959
07+09+18+18	2000	2400	4500	4500		13400	3600	13900	3450	850	3750	11000	15.3	3.89	3.88		3959
07+12+12+12	2400	3700	3700	3700		13500	3600	14000	3460	850	3760	11000	15.4	3.89	3.90		3959
07+12+12+18	2500	3000	3000	5000		13500	3600	14000	3470	850	3770	11000	15.4	3.89	3.89		3959
07+12+12+24	2300	2800	2800	5000		12900	3600	13400	3480	850	3780	10000	15.4	3.85	3.71		3636
07+12+18+18	2000	3000	4200	4200		13400	3600	15000	3490	850	4900	11000	15.5	3.89	3.84		3959
09+09+09+09	3000	3000	3000	3000		12000	3600	15000	3500	850	5000	10000	15.5	3.89	3.43		3599
09+09+09+12	3000	3000	3000	3700		12700	3600	15000	3510	850	4800	10000	15.6	3.89	3.62		3599
09+09+09+18	2600	2600	2600	5000		12800	3600	15000	3520	850	5000	10000	15.6	3.89	3.64		3599
09+09+09+24	2500	2500	2500	5800		13300	3600	15000	3530	850	5000	11000	15.7	3.89	3.77		3959
09+09+09+28	2500	2500	2500	6800		14300	3600	15000	3700	850	5650	11000	16.4	3.89	3.86		3959
09+09+12+12	3000	3000	3700	3700		13400	3600	15000	3540	850	5000	11000	15.7	3.89	3.79		3959
09+09+12+18	2400	2400	3200	5000		13000	3600	15000	3550	850	5000	11000	15.7	3.89	3.66		3959
09+09+12+24	2500	2500	2800	5600		13400	3600	15000	3560	850	5000	11000	15.8	3.89	3.76		3959
09+09+18+18	2200	2200	4500	4500		13400	3600	15000	3570	850	5000	11000	15.8	3.89	3.75		3959
09+12+12+12	3000	3200	3200	3200		12600	3600	15000	3580	850	5000	10000	15.9	3.85	3.52		3636
09+12+12+18	2500	3200	3200	4500		13400	3600	15000	3590	850	5000	11000	15.9	3.89	3.73		3959
09+12+18+18	2200	2800	4100	4100		13200	3600	15000	3600	850	5000	11000	16.0	3.89	3.67		3959
12+12+12+12	3200	3200	3200	3200		12800	3600	15000	3610	850	5000	10000	16.0	3.85	3.55		3636
12+12+12+18	2900	2900	2900	4800		13500	3600	15000	3620	850	5000	11000	16.1	3.89	3.73		3959
07+07+07+07+18	2400	2400	2400	2400	4900	14500	3800	15000	4000	950	5000	11000	18.0	3.81	3.63		4042
07+07+07+07+24	2000	2000	2000	2000	6200	14200	3800	15000	4010	950	5000	11000	17.8	3.82	3.54		4031
07+07+07+09+18	2000	2000	2000	3200	4800	14000	3800	15000	4010	950	5000	11000	17.8	3.83	3.49		4021
07+07+07+09+24	2000	2000	2000	2500	5800	14300	3800	15000	4010	950	5000	11000	17.8	3.84	3.57		4010
07+07+07+12+18	2000	2000	2000	3500	4800	14300	3800	15000	4010	950	5000	11000	17.8	3.85	3.57		4000
07+07+07+18+18	1600	1600	1600	4600	4600	14000	3800	15000	4010	950	5000	11000	17.8	3.86	3.49		3990
07+07+09+09+18	1900	1900	3000	3000	4700	14500	3800	15000	4010	950	5000	11000	17.8	3.87	3.62		3979
07+07+09+09+24	1900	1900	2400	2300	5800	14300	3800	15000	4010	950	5000	11000	17.8	3.88	3.57		3969
07+07+09+12+18	1900	1900	2300	3300	4700	14100	3800	15000	4010	950	5000	11000	17.8	3.89	3.52		3959
07+07+09+18+18	1800	1800	2300	4200	4200	14300	3800	15000	4010	950	5000	11000	17.8	3.90	3.57		3954
07+07+12+12+18	1800	1800	3200	3200	4500	14500	3800	15000	4010	950	5000	11000	17.8	3.90	3.62		3949
07+07+12+18+18	1700	1700	2700	4200	4200	14500	3800	15000	4010	950	5000	11000	17.8	3.91	3.62		3944
07+09+09+09+18	2000	2500	2500	2500	4700	14200	3800	15000	4010	950	5000	11000	17.8	3.91	3.54		3939
07+09+09+09+24	1700	2200	2200	2200	5800	14100	3800	15000	4010	950	5000	11000	17.8	3.92	3.52		3934
07+09+09+12+18	2000	2300	2300	3000	4700	14300	3800	15000	4010	950	5000	11000	17.8	3.92	3.57		3929
07+09+09+18+18	1700	2200	2200	4200	4200	14500	3800	15000	4010	950	5000	11000	17.8	3.93	3.62		3924
07+09+12+12+18	1700	2300	3000	3000	4500	14500	3800	15000	4010	950	5000	11000	17.8	3.93	3.62		3919
07+12+12+12+18	1800	2700	2700	2700	4500	14400	3800	15000	4010	950	5000	11000	17.8	3.94	3.59		3914
09+09+09+09+18	2400	2400	2400	2400	4700	14300	3800	15000	4010	950	5000	11000	17.8	3.94	3.57		3909
09+09+09+09+24	2200	2200	2200	2200	5700	14500	3800	15000	4010	950	5000	11000	17.8	3.95	3.62		3904
09+09+09+12+18	2200	2200	2200	3200	4500	14300	3800	15000	4010	950	5000	11000	17.8	3.95	3.57		3899
09+09+09+18+18	2200	2200	2200	3800	3800	14200	3800	15000	4010	950	5000	11000	17.8	3.96	3.54		3894
09+09+12+12+18	2200	2200	2600	2600	4700	14300	3800	15000	4010	950	5000	11000	17.8	3.96	3.57		3889
09+12+12+12+18	2200	2600	2600	2600	4500	14500	3800	15000	4010	950	5000	11000	17.8	3.97	3.62		3884

■ AMW140U6SP+F15(E)/AMW-48U6SP+F15E(E)

Combination of Indoor Units	Cooling Capacity																
	A	B	C	D	E	Total Capacity (W)			Power Input (W)			Pdc (W)	(A)	SEER	EER W/W	Energy class	Qce
	W	W	W	W	W	NOM	MIN	MAX	NOM	MIN	MAX						
07+07+18	2100	2100	5000			9200	3200	10200	3060	1050	4590	9200	5.5	5.65	3.01		570
07+07+24	2100	2100	7000			11200	3200	12200	3060	1050	4590	11200	5.5	5.71	3.66		687
07+07+28	2100	2100	7800			12000	3200	13000	3400	1050	5100	12000	6.1	5.71	3.53		736
07+09+24	2100	2600	7000			11700	3200	12700	3120	1050	4680	11700	5.6	5.85	3.75		700
07+09+28	2100	2600	7800			12500	3200	13500	3450	1050	5175	12500	6.2	5.85	3.62		748
07+12+24	2100	3500	7000			12600	3200	13600	3365	1050	5047.5	12600	6.0	5.85	3.74		754
07+12+28	2100	3500	7800			13400	3200	14400	3450	1050	5175	13400	6.2	5.91	3.88		794
07+18+18	2100	5000	5000			12100	3200	13100	3180	1050	4770	12100	5.7	5.85	3.81		724
07+18+24	2100	5000	7000			14100	3200	15100	4195	1050	6292.5	14100	7.5	6.01	3.36		821
07+18+28	2100	4800	7000			13900	3200	14900	4600	1050	6900	13900	8.2	5.91	3.02		823
09+09+24	2600	2600	7000			12200	3200	13200	3355	1050	5032.5	12200	6.0	5.85	3.64		730
09+09+28	2600	2600	7800			13000	3200	14000	3750	1050	5625	13000	6.7	5.91	3.47		770
09+12+18	2600	3500	5000			11100	3200	12100	3285	1050	4927.5	11100	5.9	5.71	3.38		680
09+12+24	2600	3500	6000			12100	3200	13100	3300	1050	4950	12100	5.9	5.85	3.67		724
09+12+28	2600	3500	7800			13900	3200	14900	4300	1050	6450	13900	7.7	5.91	3.23		823
09+18+18	2600	5000	5000			12600	3200	13600	3515	1050	5272.5	12600	6.3	5.85	3.58		754
09+18+24	2600	4800	6500			13900	3200	14900	4330	1050	6495	13900	7.7	5.85	3.21		832
09+18+28	2600	4200	7000			13800	3200	14800	4300	1050	6450	13800	7.7	5.91	3.21		817
12+12+18	3500	3500	5000			12000	3200	13000	3360	1050	5040	12000	6.0	5.85	3.57		718
12+12+24	3500	3500	6600			13600	3200	14600	4375	1050	6500	13600	7.8	5.91	3.11		805
12+12+28	3200	3200	7200			13600	3200	14600	4100	1050	6150	13600	7.3	5.91	3.32		805
12+18+18	3500	5000	5000			13500	3200	14500	3790	1050	5685	13500	6.8	5.91	3.56		799
12+18+24	3000	4200	6800			14000	3200	15000	4405	1050	6500	14000	7.9	5.91	3.18		829
12+18+28	2600	4200	7000			13800	3200	14800	3950	1050	5925	13800	7.1	5.91	3.49		817
18+18+18	4200	4200	4200			12600	3200	13600	3900	1050	5900	12600	7.0	5.91	3.23		746
07+07+07+18	2100	2100	2100	5000		11300	3500	12300	3850	1050	5775	11300	6.9	5.71	2.94		693
07+07+07+24	2100	2100	2100	7100		13400	3500	14400	4100	1150	6150	13400	7.3	5.91	3.27		794
07+07+07+28	2100	2100	2100	7800		14100	3500	15100	4400	1150	6500	14100	7.9	6.01	3.20		821
07+07+09+18	2100	2100	2600	5000		11800	3500	12800	3770	1150	5655	11800	6.7	5.71	3.13		723
07+07+09+24	2100	2100	2600	7000		13800	3500	14800	3780	1150	5670	13800	6.8	5.91	3.65		817
07+07+09+28	2100	2100	2600	7200		14000	3500	15000	4350	1150	6500	14000	7.8	5.91	3.22		829
07+07+12+12	2100	2100	3500	3500		11200	3500	12200	3790	1150	5685	11200	6.8	5.71	2.96		687
07+07+12+18	2100	2100	3500	5000		12700	3500	13700	3800	1150	5700	12700	6.8	5.85	3.34		760
07+07+12+24	2100	2100	2600	7000		13800	3500	14800	3810	1150	5715	13800	6.8	5.91	3.62		817
07+07+12+28	2100	2100	2600	7200		14000	3500	15000	4440	1150	6660	14000	7.9	6.01	3.15		815
07+07+18+18	2100	2100	4800	4800		13800	3500	14800	3820	1150	5730	13800	6.8	5.91	3.61		817
07+09+09+18	2100	2600	2600	5000		12300	3500	13300	3850	1150	5775	12300	6.9	5.85	3.19		736
07+09+09+24	2000	2600	2600	6200		13400	3500	14400	3860	1150	5790	13400	6.9	5.91	3.47		794
07+09+12+12	2100	2600	3500	3500		11700	3500	12700	3870	1150	5805	11700	6.9	5.71	3.02		717
07+09+12+18	2100	2600	3500	5000		13200	3500	14200	3880	1150	5820	13200	6.9	5.91	3.40		782
07+09+12+24	2000	2200	3200	6200		13600	3500	14600	3890	1150	5835	13600	7.0	5.91	3.50		805
07+09+12+28	2000	2200	2800	6800		13800	3500	14800	4600	1150	6500	13800	8.2	5.91	3.00		817
07+09+18+18	1700	2600	4100	4100		12500	3500	13500	3900	1150	5850	12500	7.0	5.85	3.21		748
07+09+18+24	1700	2500	3800	6000		14000	3500	15000	4590	1150	6500	14000	8.2	5.91	3.05		829
07+12+12+12	2100	3500	3500	3500		12600	3500	13600	3910	1150	5865	12600	7.0	5.71	3.22		772
07+12+12+18	2100	3000	3000	4200		12300	3500	13300	3920	1150	5880	12300	7.0	5.85	3.14		736
07+12+12+24	2000	2600	2600	5100		12300	3500	13300	3930	1150	5895	12300	7.0	5.85	3.13		736
07+12+12+28	2000	2600	2600	6800		14000	3500	15000	4550	1150	6500	14000	8.1	5.91	3.08		829
07+12+18+18	2000	2800	4000	4000		12800	3500	13800	3940	1150	5910	12800	7.0	5.85	3.25		766
07+12+18+24	1800	2000	4000	6200		14000	3500	15000	4460	1150	6500	14000	8.0	5.91	3.14		829

Combination of Indoor Units	Heating Capacity																
	A	B	C	D	E	Total Capacity (W)			Power Input (W)			Pdh (W)	(A)	SCOP	COP W/W	Energy class	Qhe
	W	W	W	W	W	NOM	MIN	MAX	NOM	MIN	MAX						
07+07+18	2600	2600	5500			10700	3500	11770	3360	900	4704	8000	6.0	3.83	3.18		2924
07+07+24	2600	2600	7200			12400	3500	13640	3360	900	4704	10000	6.0	3.85	3.69		3636
07+07+28	2600	2600	8600			13800	3500	15180	3960	900	5544	10000	7.1	3.87	3.48		3618
07+09+24	2600	3000	7200			12800	3200	14080	3420	900	4788	10000	6.1	3.85	3.74		3636
07+09+28	2600	3000	8600			14200	3200	15620	3750	900	5250	11000	6.7	3.89	3.79		3959
07+12+24	2600	3700	7200			13500	3200	14850	3465	900	4851	10000	6.2	3.87	3.90		3618
07+12+28	2600	3700	8600			14900	3200	16390	3800	900	5320	11000	6.8	3.89	3.92		3959
07+18+18	2600	5500	5500			13600	3200	14960	3480	900	4872	10000	6.2	3.87	3.91		3618
07+18+24	2600	5500	7200			15300	3200	16830	3995	900	5593	12000	7.1	3.87	3.83		4341
07+18+28	2600	5000	8000			15600	3200	17160	4750	900	6650	12000	8.5	3.91	3.28		4297
09+09+24	3000	3000	7200			13200	3200	14520	3555	900	4977	10000	6.4	3.87	3.71		3618
09+09+28	3000	3000	8600			14600	3200	16060	3850	900	5390	11000	6.9	3.89	3.79		3959
09+12+18	3000	3700	5500			12200	3200	13420	3585	900	5019	10000	6.4	3.85	3.40		3636
09+12+24	3000	3700	7200			13900	3200	15290	3600	900	5040	10000	6.4	3.87	3.86		3618
09+12+28	3000	3700	8600			15300	3200	16830	3990	900	5586	12000	7.1	3.91	3.83		4297
09+18+18	3000	5500	5500			14000	3200	15400	3615	900	5061	11000	6.5	3.89	3.87		3959
09+18+24	3000	5000	6800			14800	3200	16280	3830	900	5362	11000	6.8	3.89	3.86		3959
09+18+28	3000	4800	8000			15800	3200	17380	4210	900	5894	12000	7.5	3.91	3.75		4297
12+12+18	3700	3700	5500			12900	3200	14190	3660	900	5124	10000	6.5	3.85	3.52		3636
12+12+24	3500	3500	7200			14200	3200	15620	3675	900	5145	11000	6.6	3.89	3.86		3959
12+12+28	3500	3500	8600			15600	3200	17160	3950	900	5530	12000	7.1	3.91	3.95		4297
12+18+18	3500	5500	5500			14500	3200	15950	3690	900	5166	11000	6.6	3.89	3.93		3959
12+18+24	3000	4800	6800			14600	3200	16060	3705	900	5187	11000	6.6	3.89	3.94		3959
12+18+28	3000	4800	7800			15600	3200	17160	3980	900	5572	12000	7.1	3.91	3.92		4297
18+18+18	5000	5000	5000			15000	3200	16500	3950	900	5530	11000	7.1	3.90	3.80		3949
07+07+07+18	2500	2500	2500	5500		13000	3600	14300	3650	900	5110	10000	6.5	3.87	3.56		3618
07+07+07+24	2500	2500	2500	7200		14700	3600	16170	3790	1050	5306	11000	6.8	3.89	3.88		3959
07+07+07+28	2500	2500	2500	8300		15800	3600	17380	4300	1050	6020	12000	7.7	3.91	3.67		4297
07+07+09+18	2600	2600	3000	5500		13700	3600	15070	3820	1050	5348	10000	6.8	3.87	3.59		3618
07+07+09+24	2500	2500	3000	6800		14800	3600	16280	3830	1050	5362	11000	6.8	3.89	3.86		3959
07+07+09+28	2200	2200	3000	8000		15400	3600	16940	4260	1050	5964	12000	7.6	3.91	3.62		4297
07+07+12+12	2600	2600	3700	3700		12600	3600	13860	3840	1050	5376	10000	6.9	3.85	3.28		3636
07+07+12+18	2600	2600	3700	5500		14400	3600	15840	3850	1050	5390	11000	6.9	3.89	3.74		3959
07+07+12+24	2600	2600	3200	6800		15200	3600	16720	3860	1050	5404	12000	6.9	3.91	3.94		4297
07+07+12+28	2600	2600	3200	7200		15600	3600	17160	4320	1050	6048	12000	7.7	3.91	3.61		4297
07+07+18+18	2600	2600	5200	5200		15600	3600	17160	4070	1050	5698	12000	7.3	3.91	3.83		4297
07+09+09+18	2600	3000	3000	5500		14100	3600	15510	3900	1050	5460	11000	7.0	3.89	3.62		3959
07+09+09+24	2600	3000	3000	7200		15800	3600	17380	4110	1050	5754	12000	7.3	3.91	3.84		4297
07+09+12+12	2600	3000	3700	3700		13000	3600	14300	3920	1050	5488	10000	7.0	3.87	3.32		3618
07+09+12+18	2600	3000	3700	5500		14800	3600	16280	3930	1050	5502	11000	7.0	3.89	3.77		3959
07+09+12+24	2600	3000	3700	6600		15900	3600	17490	4140	1050	5796	12000	7.4	3.91	3.84		4297
07+09+12+28	2300	2500	3000	8200		16000	3600	17600	4650	1050	6510	12000	8.3	3.91	3.44		4297
07+09+18+18	2000	2400	4500	4500		13400	3600	14740	3950	1050	5530	10000	7.1	3.87	3.39		3618
07+09+18+24	2000	2400	4400	7200		16000	3600	17600	4750	1050	6650	12000	8.5	3.91	3.37		4297
07+12+12+12	2400	3700	3700	3700		13500	3600	14850	3960	1050	5544	10000	7.1	3.87	3.41		3618
07+12+12+18	2500	3000	3000	5000		13500	3600	14850	3970	1050	5558	10000	7.1	3.87	3.40		3618
07+12+12+24	2300	2800	2800	5000		12900	3600	14190	3980	1050	5572	10000	7.1	3.85	3.24		3636
07+12+12+28	2300	2800	2800	8000		15900	3600	17490	4660	1050	6524	12000	8.3	3.91	3.41		4297
07+12+18+18	2000	3000	4200	4200		13400	3600	14740	3990	1050	5586	10000	7.1	3.87	3.36		3618
07+12+18+24	2000	3000	4200	5600		14800	3600	16280	4380	1050	6132	11000	7.8	3.89	3.38		3959

■ AMW140U6SP+F15(E)/AMW-48U6SP+F15E(E)

Combination of Indoor Units	Cooling Capacity																
	A	B	C	D	E	Total Capacity (W)			Power Input (W)			Pdc (W)	(A)	SEER	EER w/w	Energy class	Qce
	W	W	W	W	W	NOM	MIN	MAX	NOM	MIN	MAX						
09+09+09+12	2600	2600	2600	3500		11300	3500	12300	3960	1150	5940	11300	7.1	5.71	2.85		693
09+09+09+18	2600	2600	2600	4800		12600	3500	13600	3970	1150	5955	12600	7.1	5.85	3.17		754
09+09+09+24	2300	2300	2300	5300		12200	3500	13200	3980	1150	5970	12200	7.1	5.85	3.07		730
09+09+09+28	2300	2300	2300	7000		13900	3500	14900	4390	1150	6500	13900	7.8	5.91	3.17		823
09+09+12+12	2600	2600	3200	3200		11600	3500	12600	3990	1150	5985	11600	7.1	5.71	2.91		711
09+09+12+18	2300	2300	3000	4600		12200	3500	13200	4000	1150	6000	12200	7.2	5.85	3.05		730
09+09+12+24	2200	2200	2800	5200		12400	3500	13400	4010	1150	6015	12400	7.2	5.85	3.09		742
09+09+12+28	2200	2200	2800	6800		14000	3500	15000	4390	1150	6500	14000	7.8	5.91	3.19		829
09+09+18+18	2300	2300	3800	3800		12200	3500	13200	4020	1150	6030	12200	7.2	5.85	3.03		730
09+12+12+12	2600	3500	3500	3500		13100	3500	14100	4030	1150	6045	13100	7.2	5.91	3.25		776
09+12+12+18	2500	2800	2800	4000		12100	3500	13100	4040	1150	6060	12100	7.2	5.85	3.00		724
09+12+12+24	2000	2800	2800	6400		14000	3500	15000	4290	1150	6435	14000	7.7	5.91	3.26		829
09+12+12+28	2000	2800	2800	6200		13800	3500	14800	4450	1150	6500	13800	8.0	5.91	3.10		817
09+12+18+18	2000	2800	4200	4200		13200	3500	14200	4050	1150	6075	13200	7.2	5.91	3.26		782
12+12+12+12	3500	3500	3500	3500		14000	3500	15000	4060	1150	6090	14000	7.3	5.91	3.45		829
12+12+12+18	3000	3000	3000	4800		13800	3500	14800	4070	1150	6105	13800	7.3	5.91	3.39		817
12+12+12+24	2600	2600	2600	6400		14200	3500	15200	4300	1150	6450	14200	7.7	6.01	3.30		827
07+07+07+07+18	2100	2100	2100	2100	5000	13400	3800	14400	4100	1200	6150	13400	7.3	5.91	3.27		794
07+07+07+07+24	2000	2000	2000	2000	6200	14200	4800	17000	4130	1200	6500	14200	7.9	6.01	3.36		827
07+07+07+07+28	1800	1800	1800	1800	7000	14200	4800	17000	4220	1200	6500	14200	7.5	6.01	3.36		827
07+07+07+09+18	2000	2000	2000	2600	4600	13200	4800	17000	4420	1200	6500	13200	7.9	5.85	2.99		789
07+07+07+09+24	1800	1800	1800	2400	6200	14000	4800	17000	4430	1200	6500	14000	7.9	5.91	3.16		829
07+07+07+09+28	1800	1800	1800	2000	6700	14100	4800	17000	4600	1200	6500	14100	8.2	6.01	3.07		821
07+07+07+12+18	2000	2000	2000	3200	4800	14000	4800	17000	4440	1200	6500	14000	7.9	5.91	3.15		829
07+07+07+12+24	1800	1800	1800	2600	6200	14200	4800	17000	4650	1200	6500	14200	8.3	6.01	3.05		827
07+07+07+12+28	1800	1800	1800	2400	6400	14200	4800	17000	4750	1200	6500	14200	8.5	6.01	2.99		827
07+07+07+18+18	1800	1800	1800	4400	4400	14200	4800	17000	4450	1200	6500	14200	8.0	6.01	3.19		827
07+07+09+09+18	2000	2000	2600	2600	4800	14000	4800	17000	4460	1200	6500	14000	8.0	5.91	3.14		829
07+07+09+09+24	1800	1800	2300	2300	6000	14200	4800	17000	4560	1200	6500	14200	8.2	6.01	3.11		827
07+07+09+09+28	1800	1800	2300	2300	6000	14200	4800	17000	4680	1200	6500	14200	8.4	6.01	3.03		827
07+07+09+09+24	1800	1800	2400	2400	5800	14200	4800	17000	4470	1200	6500	14200	8.0	6.01	3.18		827
07+07+09+09+28	1800	1800	2000	2000	6600	14200	4800	17000	4600	1200	6500	14200	8.2	6.01	3.09		827
07+07+09+12+18	2000	2000	2400	3000	4800	14200	4800	17000	4480	1200	6500	14200	8.0	6.01	3.17		827
07+07+09+12+24	1800	1800	2200	2600	5800	14200	4800	17000	5000	1200	6500	14200	8.9	6.01	2.84		827
07+07+09+18+18	1800	1800	2200	4200	4200	14200	4800	17000	4490	1200	6500	14200	8.0	6.01	3.16		827
07+07+12+12+18	2000	2000	2800	2800	4600	14200	4800	17000	4500	1200	6500	14200	8.0	6.01	3.16		827
07+07+12+12+24	1600	1600	2600	2600	5800	14200	4800	17000	5050	1200	6500	14200	9.0	6.01	2.81		827
07+07+12+18+18	1800	1800	2200	4200	4200	14200	4800	17000	4510	1200	6500	14200	8.1	6.01	3.15		827
07+09+09+09+18	1800	2600	2600	2600	4600	14200	4800	17000	4520	1200	6500	14200	8.1	6.01	3.14		827
07+09+09+09+24	1800	2200	2200	2200	5800	14200	4800	17000	4530	1200	6500	14200	8.1	6.01	3.13		827
07+09+09+09+28	1600	1800	1800	2000	7000	14200	4800	17000	4850	1200	6500	14200	8.7	6.01	2.93		827
07+09+09+12+18	1800	2400	2400	3000	4600	14200	4800	17000	4540	1200	6500	14200	8.1	6.01	3.13		827
07+09+09+12+24	1800	2100	2100	2600	5600	14200	4800	17000	4950	1200	6500	14200	8.9	6.01	2.87		827
07+09+09+18+18	1800	2200	2200	4000	4000	14200	4800	17000	4550	1200	6500	14200	8.1	6.01	3.12		827
07+09+12+12+18	1800	2200	3000	3000	4200	14200	4800	17000	4560	1200	6500	14200	8.2	6.01	3.11		827
07+12+12+12+18	1800	2800	2800	2800	4000	14200	4800	17000	4570	1200	6500	14200	8.2	6.01	3.11		827
09+09+09+09+18	2400	2400	2400	2400	4600	14200	4800	17000	4580	1200	6500	14200	8.2	6.01	3.10		827
09+09+09+09+24	2000	2000	2000	2000	6200	14200	4800	17000	4590	1200	6500	14200	8.2	6.01	3.09		827
09+09+09+12+18	2200	2200	2200	3000	4600	14200	4800	17000	4600	1200	6500	14200	8.2	6.01	3.09		827
09+09+09+18+18	2200	2200	2200	3800	3800	14200	4800	17000	4610	1200	6500	14200	8.2	6.01	3.08		827
09+09+12+12+18	2000	2000	2800	2800	4600	14200	4800	17000	4620	1200	6500	14200	8.3	6.01	3.07		827
09+12+12+12+18	2100	2500	2500	2500	4600	14200	4800	17000	4630	1200	6500	14200	8.3	6.01	3.07		827

Combination of Indoor Units	Heating Capacity																
	A	B	C	D	E	Total Capacity (W)			Power Input (W)			Pdh (W)	(A)	SCOP	COP W/W	Energy class	Qhe
	W	W	W	W	W	NOM	MIN	MAX	NOM	MIN	MAX						
09+09+09+12	3000	3000	3000	3700		12700	3600	13970	4010	1050	5614	10000	7.2	3.85	3.17		3636
09+09+09+18	2600	2600	2600	5000		12800	3600	14080	4020	1050	5628	10000	7.2	3.85	3.18		3636
09+09+09+24	2500	2500	2500	5800		13300	3600	14630	4030	1050	5642	10000	7.2	3.87	3.30		3618
09+09+09+28	2500	2500	2500	8000		15500	3600	17050	4500	1050	6300	12000	8.0	3.91	3.44		4297
09+09+12+12	3000	3000	3700	3700		13400	3600	14740	4040	1050	5656	10000	7.2	3.87	3.32		3618
09+09+12+18	2600	2600	3700	5500		14400	3600	15840	4050	1050	5670	11000	7.2	3.89	3.56		3959
09+09+12+24	2600	2600	3700	6800		15700	3600	17270	4060	1050	5684	12000	7.3	3.91	3.87		4297
09+09+12+28	2500	2500	2800	8000		15800	3600	17380	4650	1050	6510	12000	8.3	3.91	3.40		4297
09+09+18+18	2600	2600	5200	5200		15600	3600	17160	4070	1050	5698	12000	7.3	3.91	3.83		4297
09+12+12+12	3000	3700	3700	3700		14100	3600	15510	4080	1050	5712	11000	7.3	3.89	3.46		3959
09+12+12+18	3000	3700	3700	5500		15900	3600	17490	4090	1050	5726	12000	7.3	3.91	3.89		4297
09+12+12+24	2600	3200	3200	7000		16000	3600	17600	4280	1050	5992	12000	7.7	3.91	3.74		4297
09+12+12+28	2500	3200	3200	7000		15900	3600	17490	4410	1050	6174	12000	7.9	3.91	3.61		4297
09+12+18+18	2600	3200	5000	5000		15800	3600	17380	4100	1050	5740	12000	7.3	3.91	3.85		4297
12+12+12+12	3700	3700	3700	3700		14800	3600	16280	410	1050	5754	11000	7.3	3.89	3.60		3959
12+12+12+18	3200	3200	3200	5200		14800	3600	16280	4120	1050	5768	11000	7.4	3.89	3.59		3959
12+12+12+24	3000	3000	3000	7000		16000	3600	17600	4390	1050	6146	12500	7.8	3.91	3.64		4476
07+07+07+07+18	2600	2600	2600	2600	5500	15900	3800	17490	4500	1150	6300	12000	8.0	3.98	3.53		4221
07+07+07+07+24	2200	2200	2200	2200	7200	16000	4800	18000	4800	1350	6000	12500	8.6	3.94	3.34		4446
07+07+07+07+28	2000	2000	2000	2000	8000	16000	3800	18000	5000	1150	7000	12500	8.9	3.90	3.20		4483
07+07+07+09+18	2600	2600	2600	3000	5200	16000	3800	18000	4520	1150	6328	12500	8.1	3.98	3.54		4395
07+07+07+09+24	2200	2200	2200	3000	6400	16000	3800	18000	4530	1150	6342	12500	8.1	3.98	3.53		4397
07+07+07+09+28	2000	2000	2000	2600	7200	15800	3800	18000	4650	1150	6510	12500	8.3	3.95	3.40		4431
07+07+07+12+18	2000	2000	2000	3700	5500	15200	3800	18000	4540	1150	6356	12500	8.1	3.94	3.35		4444
07+07+07+12+24	2000	2000	2000	3200	6800	16000	3800	18000	4550	1150	6370	12500	8.1	3.98	3.52		4401
07+07+07+12+28	1900	1900	1900	3200	7000	15900	3800	18000	4630	1150	6482	12500	8.3	3.96	3.43		4422
07+07+07+18+18	2000	2000	2000	5000	5000	16000	3800	18000	4550	1150	6370	12500	8.1	3.98	3.52		4401
07+07+09+09+18	2200	2200	3000	3000	5500	15900	3800	18000	4560	1150	6384	12500	8.2	3.97	3.49		4408
07+07+09+09+24	1900	1900	2500	2500	7000	15800	3800	18000	4660	1150	6524	12500	8.3	3.95	3.39		4433
07+07+09+09+28	2000	2000	2500	2500	7000	16000	3800	18000	4730	1150	6622	12500	8.5	3.95	3.38		4435
07+07+09+09+24	2000	2000	2600	2600	6800	16000	3800	18000	4570	1150	6398	12500	8.2	3.97	3.50		4405
07+07+09+09+28	2000	2000	2400	2400	7000	15800	3800	18000	4800	1150	6720	12500	8.6	3.92	3.29		4459
07+07+09+12+18	2200	2200	2600	3200	5200	15400	3800	18000	4580	1150	6412	12500	8.2	3.94	3.36		4440
07+07+09+12+24	1900	1900	2300	2900	7000	16000	3800	18000	5200	1150	7280	12500	9.3	3.88	3.08		4516
07+07+09+18+18	2200	2200	2600	4400	4400	15800	3800	18000	4590	1150	6426	12500	8.2	3.96	3.44		4420
07+07+12+12+18	2000	2000	3200	3200	5200	15600	3800	18000	4600	1150	6440	12500	8.2	3.95	3.39		4433
07+07+12+12+24	1700	1700	2900	2900	7000	16200	3800	18000	5000	1150	7000	12500	8.9	3.91	3.24		4472
07+07+12+18+18	2000	2000	3000	4500	4500	16000	3800	18000	4610	1150	6454	12500	8.2	3.97	3.47		4413
07+09+09+09+18	2000	3000	3000	3000	5000	16000	3800	18000	4620	1150	6468	12500	8.3	3.96	3.46		4414
07+09+09+09+24	2000	2600	2600	2600	6200	16000	3800	18000	4630	1150	6482	12500	8.3	3.96	3.46		4416
07+09+09+09+28	1800	2300	2300	2300	7200	15900	3800	18000	5200	1150	7280	12500	9.3	3.87	3.06		4521
07+09+09+12+18	2000	2600	2600	3600	5200	16000	3800	18000	4640	1150	6496	12500	8.3	3.96	3.45		4418
07+09+09+12+24	2000	2400	2400	3200	6000	16000	3800	18000	4900	1150	6860	12500	8.8	3.92	3.27		4466
07+09+09+18+18	2000	2600	2600	4400	4400	16000	3800	18000	4650	1150	6510	12500	8.3	3.96	3.44		4420
07+09+12+12+18	2000	2600	3200	3200	5000	16000	3800	18000	4660	1150	6524	12500	8.3	3.96	3.43		4422
07+12+12+12+18	2000	3000	3000	3000	5000	16000	3800	18000	4670	1150	6538	12500	8.3	3.96	3.43		4424
09+09+09+09+18	2700	2700	2700	2700	5200	16000	3800	18000	4680	1150	6552	12500	8.4	3.95	3.42		4426
09+09+09+09+24	2400	2400	2400	2400	6400	16000	3800	18000	4690	1150	6566	12500	8.4	3.95	3.41		4428
09+09+09+12+18	2600	2600	2600	3200	5000	16000	3800	18000	4700	1150	6580	12500	8.4	3.95	3.40		4430
09+09+09+18+18	2400	2400	2400	4400	4400	16000	3800	18000	4710	1150	6594	12500	8.4	3.95	3.40		4431
09+09+12+12+18	2400	2400	3000	3000	5200	16000	3800	18000	4720	1150	6608	12500	8.4	3.95	3.39		4433
09+12+12+12+18	2600	2800	2800	2800	5000	16000	3800	18000	4730	1150	6622	12500	8.5	3.95	3.38		4435

■ AMW160U6SP+F15(E)/AMW-60U6SP+F15E(E)

Combination of Indoor Units	Cooling Capacity																
	A	B	C	D	E	Total Capacity (W)			Power Input (W)			Pdc (W)	(A)	SEER	EER W/W	Energy class	Qce
	W	W	W	W	W	NOM	MIN	MAX	NOM	MIN	MAX						
07+12+18	2100	3500	5000			10600	3200	11400	3195	1050	3834	10600	5.7	5.60	3.32		663
07+18+24	2100	5000	7000			14100	3200	14900	4195	1050	5034	14100	7.5	5.67	3.36		870
07+18+28	2100	5000	7800			14900	3200	15700	4200	1050	5040	14900	7.5	5.69	3.55		917
09+12+24	2600	3500	7000			13100	3200	13900	3900	1050	4680	13100	7.0	5.63	3.36		814
09+12+28	2600	3500	7800			13900	3200	14700	4150	1050	4980	13900	7.4	5.65	3.35		861
09+18+24	2600	5000	7000			14600	3200	15400	4330	1050	5196	14600	7.7	5.67	3.37		901
09+18+28	2600	5000	7800			15400	3200	16200	4300	1050	5160	15400	7.7	5.69	3.58		947
12+12+24	3500	3500	7000			14000	3200	14800	4375	1050	5250	14000	7.8	5.64	3.20		869
12+18+18	3500	5000	5000			13500	3200	14300	3790	1050	4548	13500	6.8	5.66	3.56		835
12+18+24	3500	5000	7500			16000	3200	16800	4405	1050	5286	16000	7.9	5.67	3.63		988
12+18+28	3200	4600	7200			15000	3200	15800	4210	1050	5052	15000	7.5	5.68	3.56		924
18+18+18	5000	5000	5000			15000	3200	15800	4200	1050	5040	15000	7.5	5.65	3.57		929
07+07+07+28	2100	2100	2100	7800		14100	3500	14900	4230	1050	5076	14100	7.6	5.70	3.33		866
07+07+09+28	2100	2100	2600	7800		14600	3500	15400	4430	1050	5316	14600	7.9	5.70	3.30		896
07+07+12+24	2100	2100	3500	7000		14700	3500	15500	4110	1150	4932	14700	7.3	5.71	3.58		901
07+07+12+28	2100	2100	3500	7800		15500	3500	16300	4350	1150	5220	15500	7.8	5.72	3.56		948
07+07+18+18	2100	2100	5000	5000		14200	3500	15000	3820	1150	4584	14200	6.8	5.73	3.72		867
07+07+18+24	2100	2100	4800	7000		16000	3500	16800	4350	1150	5220	16000	7.8	5.74	3.68		976
07+07+18+28	2000	2000	4800	7200		16000	3500	16800	4420	1150	5304	16000	7.9	5.75	3.62		974
07+09+09+24	2100	2600	2600	7000		14300	3500	15100	3860	1150	4632	14300	6.9	5.70	3.70		878
07+09+09+28	2100	2600	2600	7800		15100	3500	15900	4500	1150	5400	15100	8.0	5.70	3.36		927
07+09+12+24	2100	2600	3500	7000		15200	3500	16000	4290	1150	5148	15200	7.7	5.71	3.54		932
07+09+12+28	2100	2600	3500	7800		16000	3500	16800	4500	1150	5400	16000	8.0	5.71	3.56		981
07+09+18+18	2100	2600	5000	5000		14700	3500	15500	4100	1150	4920	14700	7.3	5.72	3.59		899
07+09+18+24	2100	2600	5000	6200		15900	3500	16700	4550	1150	5460	15900	8.1	5.73	3.49		971
07+09+18+28	2100	2600	4200	7000		15900	3500	16700	4460	1150	5352	15900	8.0	5.74	3.57		970
07+12+12+18	2100	3500	3500	5000		14100	3500	14900	3920	1150	4704	14100	7.0	5.75	3.60		858
07+12+12+24	2000	3500	3500	7000		16000	3500	16800	4830	1150	5796	16000	8.6	5.78	3.31		969
07+12+12+28	2000	3200	3200	7600		16000	3500	16800	4900	1150	5880	16000	8.8	5.77	3.27		971
07+12+18+18	2100	3500	5000	5000		15600	3500	16400	4140	1150	4968	15600	7.4	5.78	3.77		945
07+12+18+24	2000	3000	4600	6400		16000	3500	16800	4250	1150	5100	16000	7.6	5.79	3.76		967
07+12+18+28	1800	2600	4000	7500		15900	3500	16700	4650	1150	5580	15900	8.3	5.80	3.42		959
09+09+09+24	2600	2600	2600	7000		14800	3500	15600	3980	1150	4776	14800	7.1	5.81	3.72		892
09+09+09+28	2600	2600	2600	7800		15600	3500	16400	4350	1150	5220	15600	7.8	5.82	3.59		938
09+09+12+18	2600	2600	3500	5000		13700	3500	14500	4000	1150	4800	13700	7.2	5.83	3.43		822
09+09+12+24	2600	2600	3500	7000		15700	3500	16500	4710	1150	5652	15700	8.4	5.84	3.33		941
09+09+12+28	2600	2600	3500	7300		16000	3500	16800	4500	1150	5400	16000	8.0	5.89	3.56		951
09+09+18+18	2600	2600	5000	5000		15200	3500	16000	4020	1150	4824	15200	7.2	5.86	3.78		908
09+09+18+24	2300	2300	3800	6700		15100	3500	15900	4480	1150	5376	15100	8.0	5.87	3.37		900
09+09+18+28	2300	2300	4200	7200		16000	3500	16800	4590	1150	5508	16000	8.2	5.88	3.49		952
09+12+12+18	2600	3500	3500	5000		14600	3500	15400	4040	1150	4848	14600	7.2	5.89	3.61		868
09+12+12+24	2600	3200	3200	7000		16000	3500	16800	4450	1150	5340	16000	8.0	5.90	3.60		949
09+12+12+28	2400	3200	3200	7200		16000	3500	16800	4550	1150	5460	16000	8.1	5.91	3.52		948
09+12+18+18	2500	3500	5000	5000		16000	3500	16800	4550	1150	5460	16000	8.1	5.92	3.52		946
09+12+18+24	2000	2600	4600	6800		16000	3500	16800	4490	1150	5388	16000	8.0	5.93	3.56		944
09+12+18+28	2000	2600	4200	7200		16000	3500	16800	4620	1150	5544	16000	8.3	5.94	3.46		943
12+12+12+12	3500	3500	3500	3500		14000	3500	14800	4060	1150	4872	14000	7.3	5.95	3.45		824
12+12+12+18	3500	3500	3500	5000		15500	3500	16300	4570	1150	5484	15500	8.2	5.96	3.39		910
12+12+12+24	3000	3000	3000	7000		16000	3500	16800	4580	1150	5496	16000	8.2	5.97	3.49		938
12+12+12+28	3000	3000	3000	7000		16000	3500	16800	4650	1150	5580	16000	8.3	5.98	3.44		936
12+12+18+18	3200	3200	4800	4800		16000	3500	16800	4500	1150	5400	16000	8.0	5.99	3.56		935
12+12+18+24	2800	2800	4400	6000		16000	3500	16800	4450	1150	5340	16000	8.0	6.00	3.60		933
12+12+18+28	2600	2600	3800	7000		16000	3500	16800	4850	1150	5820	16000	8.7	6.01	3.30		932

Combination of Indoor Units	Heating Capacity																
	A	B	C	D	E	Total Capacity (W)			Power Input (W)			Pdh (W)	(A)	SCOP	COP W/W	Energy class	Qhe
	W	W	W	W	W	NOM	MIN	MAX	NOM	MIN	MAX						
07+12+18	2500	3700	5500			11700	3200	12870	3295	900	4613	10000	5.9	3.89	3.55		3599
07+18+24	2500	5500	7200			15200	3200	16720	3895	900	5453	11000	7.0	3.88	3.90		3969
07+18+28	2500	5500	8600			16600	3200	18260	4250	900	5950	11000	7.6	3.85	3.91		4000
09+12+24	3000	3700	7200			13900	3200	15290	3600	900	5040	13900	6.4	3.91	3.86		4977
09+12+28	3000	3700	8600			15300	3200	16830	4190	900	5866	15300	7.5	3.88	3.65		5521
09+18+24	3000	5000	7200			15200	3200	16720	3930	900	5502	15200	7.0	3.88	3.87		5485
09+18+28	3000	5500	8600			17100	3200	18500	4550	900	6370	17100	8.1	3.83	3.76		6251
12+12+24	3700	3700	7200			14600	3200	16060	3975	900	5565	14600	7.1	3.91	3.67		5228
12+18+18	3700	5500	5500			14700	3200	16170	3890	900	5446	14700	7.0	3.91	3.78		5263
12+18+24	3700	5500	7200			16400	3200	18040	4305	900	6027	16400	7.7	3.85	3.81		5964
12+18+28	3700	5500	8600			17800	3200	19000	4500	900	6300	17800	8.0	3.83	3.96		6507
18+18+18	5500	5500	5500			16500	3200	18500	4450	900	6230	16500	8.0	3.81	3.71		6063
07+07+07+28	2500	2500	2500	8600		16100	3600	17710	4600	1050	6440	16100	8.2	3.85	3.50		5855
07+07+09+28	2500	2500	3000	8600		16600	3600	18260	4650	1050	6500	16600	8.3	3.85	3.57		6036
07+07+12+24	2500	2500	3700	7200		15900	3600	17490	4160	1050	5824	15900	7.4	3.88	3.82		5737
07+07+12+28	2500	2500	3700	8600		17300	3600	19000	4460	1050	6244	17300	8.0	3.83	3.88		6324
07+07+18+18	2500	2500	5500	5500		16000	3600	17600	4170	1050	5838	16000	7.5	3.85	3.84		5818
07+07+18+24	2500	2500	5500	7200		17700	3600	19000	4530	1050	6342	17700	8.1	3.83	3.91		6470
07+07+18+28	2300	2300	5200	8200		18000	3600	19000	4790	1050	6500	18000	8.6	3.82	3.76		6597
07+09+09+24	2500	3000	3000	6300		14800	3600	16280	3910	1050	5474	14800	7.0	3.91	3.79		5299
07+09+09+28	2500	2800	2800	7600		15700	3600	17270	4500	1050	6300	15700	8.0	3.88	3.49		5665
07+09+12+24	2300	2500	3000	7200		15000	3600	16500	3940	1050	5516	15000	7.0	3.88	3.81		5412
07+09+12+28	2500	3000	3700	8600		17800	3600	19000	4550	1050	6370	17800	8.1	3.83	3.91		6507
07+09+18+18	2500	3000	5500	5500		16500	3600	18150	4250	1050	5950	16500	7.6	3.85	3.88		6000
07+09+18+24	2500	3000	5500	7000		18000	3600	19000	4850	1050	6500	18000	8.7	3.82	3.71		6597
07+09+18+28	2200	2800	5000	8000		18000	3600	19000	4930	1050	6902	18000	8.8	3.82	3.65		6597
07+12+12+18	2500	3700	3700	5500		15400	3600	16940	3970	1050	5558	15400	7.1	3.88	3.88		5557
07+12+12+24	2500	3700	3700	7200		17100	3600	18810	4580	1050	6412	17100	8.2	3.83	3.73		6251
07+12+12+28	2500	3700	3700	8000		17900	3600	19000	4850	1050	6500	17900	8.7	3.83	3.69		6543
07+12+18+18	2500	3700	5500	5500		17200	3600	18920	4590	1050	6426	17200	8.2	3.83	3.75		6287
07+12+18+24	2500	3500	5000	7000		18000	3600	19000	4700	1050	6500	18000	8.4	3.82	3.83		6597
07+12+18+28	2200	3200	4600	8000		18000	3600	19000	4650	1050	6510	18000	8.3	3.82	3.87		6597
09+09+09+24	3000	3000	3000	7200		16200	3600	17820	4630	1050	6482	16200	8.3	3.85	3.50		5891
09+09+09+28	3000	3000	3000	8600		17600	3600	19000	4700	1050	6500	17600	8.4	3.83	3.74		6433
09+09+12+18	3000	3000	3700	5500		15200	3600	16720	4050	1050	5670	15200	7.2	3.88	3.75		5485
09+09+12+24	3000	3000	3700	7200		16900	3600	18590	4660	1050	6500	16900	8.3	3.85	3.63		6145
09+09+12+28	3000	3000	3700	8200		17900	3600	19000	4750	1050	6500	17900	8.5	3.83	3.77		6543
09+09+18+18	3000	3000	5500	5500		17000	3600	18700	4570	1050	6398	17000	8.2	3.83	3.72		6214
09+09+18+24	3000	3000	5200	6800		18000	3600	19000	4920	1050	6500	18000	8.8	3.82	3.66		6597
09+09+18+28	2600	2600	5000	7800		18000	3600	19000	4930	1050	6500	18000	8.8	3.82	3.65		6597
09+12+12+18	3000	3700	3700	5500		15900	3600	17490	4590	1050	6426	15900	8.2	3.88	3.46		5737
09+12+12+24	3000	3700	3700	7200		17600	3600	19000	4890	1050	6500	17600	8.7	3.83	3.60		6433
09+12+12+28	2800	3500	3500	8000		17800	3600	19000	4700	1050	6500	17800	8.4	3.83	3.79		6507
09+12+18+18	3000	3700	5500	5500		17700	3600	19000	4700	1050	6500	17700	8.4	3.83	3.77		6470
09+12+18+24	2800	3200	4800	7200		18000	3600	19000	4760	1050	6500	18000	8.5	3.82	3.78		6597
09+12+18+28	2500	3200	4600	7700		18000	3600	19000	4690	1050	6500	18000	8.4	3.82	3.84		6597
12+12+12+12	3700	3700	3700	3700		14800	3600	16280	4110	1050	5754	14800	7.3	3.91	3.60		5299
12+12+12+18	3700	3700	3700	5500		16600	3600	18260	4420	1050	6188	16600	7.9	3.85	3.76		6036
12+12+12+24	3700	3700	3700	6800		17900	3600	19000	4750	1050	6500	17900	8.5	3.83	3.77		6543
12+12+12+28	3200	3200	3200	8000		17600	3600	19000	4700	1050	6500	17600	8.4	3.83	3.74		6433
12+12+18+18	3700	3700	5200	5200		17800	3600	19000	4750	1050	6500	17800	8.5	3.83	3.75		6507
12+12+18+24	3300	3300	4600	6800		18000	3600	19000	4720	1050	6500	18000	8.4	3.82	3.81		6597
12+12+18+28	2800	2800	4600	7800		18000	3600	19000	4980	1050	6500	18000	8.9	3.82	3.61		6597

■ AMW160U6SP+F15(E)/AMW-60U6SP+F15E(E)

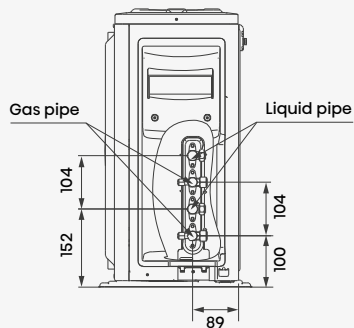
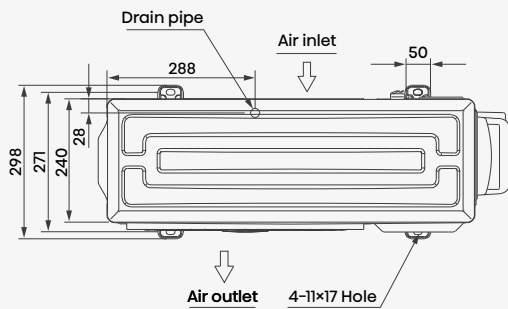
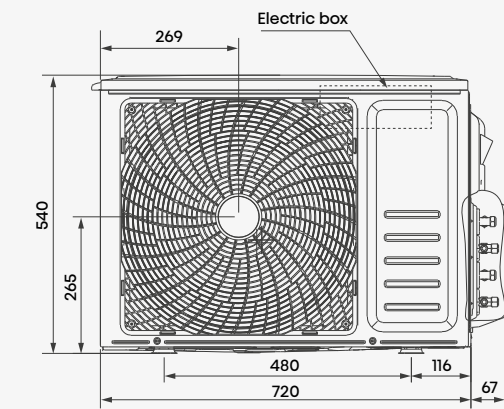
Combination of Indoor Units	Cooling Capacity																
	A	B	C	D	E	Total Capacity (W)			Power Input (W)			Pdc (W)	(A)	SEER	EER w/w	Energy class	Qce
	W	W	W	W	W	NOM	MIN	MAX	NOM	MIN	MAX						
07+07+07+07+24	2100	2100	2100	2100	2100	7000	15400	4800	16200	4410	1200	5292	15400	7.9	6.13	3.49	879
07+07+07+07+28	2100	2100	2100	2100	2100	7600	16000	4800	16800	4500	1200	5400	16000	8.0	6.23	3.56	899
07+07+07+09+18	2100	2100	2100	2600	5000	13900	4800	14700	4052	1200	4862.4	13900	7.2	6.22	3.43	782	
07+07+07+09+24	2100	2100	2100	2600	7000	15900	4800	16700	4430	1200	5316	15900	7.9	6.13	3.59	908	
07+07+07+09+28	2100	2100	2100	2500	7200	16000	4800	16800	4500	1200	5400	16000	8.0	6.33	3.56	885	
07+07+07+12+18	2100	2100	2100	3500	5000	14800	4800	15600	4440	1200	5328	14800	7.9	6.14	3.33	844	
07+07+07+12+24	2100	2100	2100	3200	6500	16000	4800	16800	4690	1200	5628	16000	8.4	6.21	3.41	902	
07+07+07+12+28	2100	2100	2100	3000	6700	16000	4800	16800	4530	1200	5436	16000	8.1	6.15	3.53	911	
07+07+07+18+18	2000	2000	2000	5000	5000	16000	4800	16800	4750	1200	5700	16000	8.5	6.17	3.37	907	
07+07+07+18+24	2100	2100	2100	4200	5500	16000	4800	16800	4600	1200	5520	16000	8.2	6.26	3.48	894	
07+07+07+18+28	2000	2000	2000	4000	6000	16000	4800	16800	4750	1200	5700	16000	8.5	6.17	3.37	907	
07+07+09+09+18	2100	2100	2600	2600	5000	14400	4800	15200	4460	1200	5352	14400	8.0	6.05	3.23	833	
07+07+09+09+24	2100	2100	2600	2600	6600	16000	4800	16800	4470	1200	5364	16000	8.0	6.35	3.58	882	
07+07+09+09+28	2000	2000	2400	2400	7200	16000	4800	16800	4740	1200	5688	16000	8.5	6.18	3.38	907	
07+07+09+12+18	2100	2100	2600	3500	5000	15300	4800	16100	4480	1200	5376	15300	8.0	6.21	3.42	862	
07+07+09+12+24	2000	2000	2400	3200	6400	16000	4800	16800	4560	1200	5472	16000	8.2	6.29	3.51	890	
07+07+09+12+28	2000	2000	2400	2800	6800	16000	4800	16800	4780	1200	5736	16000	8.5	6.15	3.35	910	
07+07+09+18+18	2100	2100	2600	4600	4600	16000	4800	16800	4490	1200	5388	16000	8.0	6.34	3.56	884	
07+07+09+18+24	2000	2000	2200	3800	6000	16000	4800	16800	4500	1200	5400	16000	8.0	6.33	3.56	885	
07+07+09+18+28	2000	2000	2200	3600	6200	16000	4800	16800	4800	1200	5760	16000	8.6	6.14	3.33	912	
07+07+12+12+18	2000	2000	3500	3500	5000	16000	4800	16800	4500	1200	5400	16000	8.0	6.33	3.56	885	
07+07+12+12+24	2000	2000	2800	2800	6400	16000	4800	16800	4710	1200	5652	16000	8.4	6.20	3.40	904	
07+07+12+12+28	2000	2000	2600	2600	6800	16000	4800	16800	4850	1200	5820	16000	8.7	6.11	3.30	916	
07+07+12+18+18	2000	2000	3200	4400	4400	16000	4800	16800	4510	1200	5412	16000	8.1	6.32	3.55	886	
07+07+12+18+24	2000	2000	2400	3800	5800	16000	4800	16800	4760	1200	5712	16000	8.5	6.16	3.36	908	
07+07+12+18+28	2000	2000	2200	3800	6000	16000	4800	16800	4900	1200	5880	16000	8.8	6.08	3.27	921	
07+09+09+09+18	2100	2600	2600	2600	5000	14900	4800	15700	4520	1200	5424	14900	8.1	6.11	3.30	854	
07+09+09+09+24	2000	2600	2600	2600	6200	16000	4800	16800	4730	1200	5676	16000	8.5	6.18	3.38	906	
07+09+09+09+28	2000	2400	2400	2400	6800	16000	4800	16800	4700	1200	5640	16000	8.4	6.20	3.40	903	
07+09+09+12+18	2100	2600	2600	3500	5000	15800	4800	16600	4540	1200	5448	15800	8.1	6.27	3.48	882	
07+09+09+12+24	2000	2400	2400	3000	6200	16000	4800	16800	4900	1200	5880	16000	8.8	6.08	3.27	921	
07+09+09+12+28	2000	2200	2200	2800	6800	16000	4800	16800	4850	1200	5820	16000	9.5	6.11	3.30	916	
07+09+09+18+18	2000	2400	2400	4600	4600	16000	4800	16800	4750	1200	5700	16000	9.5	6.17	3.37	907	
07+09+09+18+24	2000	2400	2400	3600	5600	16000	4800	16800	4660	1200	5592	16000	9.5	6.23	3.43	899	
07+09+09+18+28	1800	2200	2200	3600	6200	16000	4800	16800	4800	1200	5760	16000	9.5	6.14	3.33	912	
07+09+12+12+18	2100	2100	3500	3500	4800	16000	4800	16800	4760	1200	5712	16000	9.5	6.16	3.36	908	
07+09+12+12+24	2000	2400	2600	2600	6400	16000	4800	16800	4970	1200	5964	16000	9.5	6.04	3.22	927	
07+09+12+12+28	2000	2200	2600	2600	6600	16000	4800	16800	4960	1200	5952	16000	9.5	6.05	3.23	926	
07+12+12+12+18	2000	3200	3200	3200	4400	16000	4800	16800	4770	1200	5724	16000	9.5	6.16	3.35	909	
07+12+12+12+24	2000	2600	2600	2600	6200	16000	4800	16800	4890	1200	5868	16000	9.5	6.09	3.27	920	
07+12+12+12+28	2000	2400	2400	2400	6800	16000	4800	16800	5090	1200	6108	16000	9.5	5.98	3.14	937	
09+09+09+09+18	2600	2600	2600	2600	5000	15400	4800	16200	4780	1200	5736	15400	9.5	6.05	3.22	892	
09+09+09+09+24	2400	2400	2400	2400	6400	16000	4800	18000	5390	1400	7000	16000	10.2	5.97	2.97	938	
09+09+09+09+28	2200	2200	2200	2200	7200	16000	4800	18000	5390	1400	7000	16000	10.3	5.83	2.97	961	
09+09+09+12+18	2600	2600	2600	3200	5000	16000	4800	18000	5390	1400	7000	16000	10.3	5.83	2.97	961	
09+09+09+12+24	2400	2400	2400	3000	5800	16000	4800	18000	5390	1400	7000	16000	10.3	5.83	2.97	961	
09+09+09+12+28	2200	2200	2200	2600	6800	16000	4800	18000	5390	1400	7000	16000	10.3	5.83	2.97	961	
09+09+09+18+18	2400	2400	2400	4400	4400	16000	4800	18000	5390	1400	7000	16000	10.3	5.83	2.97	961	
09+09+09+18+24	2100	2100	2100	4000	5700	16000	4800	18000	5390	1400	7000	16000	10.3	5.83	2.97	961	
09+09+09+18+28	1900	1900	1900	3500	6800	16000	4800	18000	5390	1400	7000	16000	10.3	5.83	2.97	961	
09+09+12+12+18	2500	2500	3200	3200	4600	16000	4800	18000	5420	1400	7000	16000	10.3	5.82	2.95	963	
09+09+12+12+24	2100	2100	3000	3000	5800	16000	4800	18000	5420	1400	7000	16000	10.3	5.82	2.95	963	
09+09+12+12+28	2100	2100	2500	2500	6800	16000	4800	18000	5420	1400	7000	16000	10.3	5.82	2.95	963	
09+12+12+12+18	2200	3000	3000	3000	4800	16000	4800	18000	5420	1400	7000	16000	10.3	5.82	2.95	963	
09+12+12+12+24	2000	2800	2800	2800	5600	16000	4800	18000	5420	1400	7000	16000	10.3	5.82	2.95	963	
09+12+12+12+28	2000	2400	2400	2400	6800	16000	4800	18000	5420	1400	7000	16000	10.3	5.82	2.95	963	
12+12+12+12+18	2800	2800	2800	2800	4800	16000	4800	18000	5420	1400	7000	16000	10.3	5.82	2.95	963	
12+12+12+12+24	2500	2500	2500	2500	6000	16000	4800	18000	5420	1400	7000	16000	10.3	5.82	2.95	963	
12+12+12+12+28	2300	2300	2300	2300	6800	16000	4800	18000	5420	1400	7000	16000	10.3	5.82	2.95	963	
12+12+12+18+18	2600	2600	2600	4100	4100	16000	4800	18000	5450	1400	7000	16000	10.3	5.80	2.94	965	
12+12+12+18+24	2300	2300	2300	3600	5500	16000	4800	18000	5450	1400	7000	16000	10.3	5.80	2.94	965	

Combination of Indoor Units	Heating Capacity																
	A	B	C	D	E	Total Capacity (W)			Power Input (W)			Pdh (W)	(A)	SCOP	COP W/W	Energy class	Qhe
	W	W	W	W	W	NOM	MIN	MAX	NOM	MIN	MAX						
07+07+07+07+24	2500	2500	2500	2500	7200	17200	4800	18500	4510	1150	6314	17200	8.1	3.85	3.81	6255	
07+07+07+07+28	2500	2500	2500	2500	8000	18000	4800	19000	5000	1150	6500	18000	8.9	3.82	3.60	6597	
07+07+07+09+18	2500	2500	2500	3000	5500	16000	4800	18000	4520	1150	6328	16000	8.1	3.96	3.54	5654	
07+07+07+09+24	2500	2500	2500	3000	7200	17700	4800	18500	4750	1150	6500	17700	8.5	3.85	3.73	6436	
07+07+07+09+28	2500	2500	2500	3000	7500	18000	4800	19000	4900	1150	6500	18000	8.8	3.82	3.67	6597	
07+07+07+12+18	2500	2500	2500	3700	5500	16700	4800	18000	4540	1150	6356	16700	8.1	3.82	3.68	6120	
07+07+07+12+24	2500	2500	2500	3200	5800	16500	4800	18000	4350	1150	6090	16500	7.8	3.87	3.79	5969	
07+07+07+12+28	2500	2500	2500	3200	7000	17700	4800	18500	4590	1150	6426	17700	8.2	3.82	3.86	6487	
07+07+07+18+18	2500	2500	2500	5200	5200	17900	4800	19000	4850	1150	6500	17900	8.7	3.82	3.69	6560	
07+07+07+18+24	2500	2500	2500	4300	5800	17600	4800	18500	4650	1150	6500	17600	8.3	3.83	3.78	6433	
07+07+07+18+28	2500	2500	2500	4300	6200	18000	4800	19000	4810	1150	6500	18000	8.6	3.82	3.74	6597	
07+07+09+09+18	2500	2500	3700	3700	5500	17900	4800	19000	4860	1150	6500	17900	8.7	3.82	3.68	6560	
07+07+09+09+24	2500	2500	3000	3000	7000	18000	4800	19000	4870	1150	6500	18000	8.7	3.82	3.70	6597	
07+07+09+09+28	2400	2400	2800	2800	7600	18000	4800	19000	4770	1150	6500	18000	8.5	3.82	3.77	6597	
07+07+09+12+18	2500	2500	3000	3700	5500	17200	4800	18500	4580	1150	6412	17200	8.2	3.82	3.76	6304	
07+07+09+12+24	2500	2500	2500	3700	6800	18000	4800	19000	4680	1150	6500	18000	8.4	3.85	3.85	6545	
07+07+09+12+28	2100	2100	2500	3500	7800	18000	4800	19000	4750	1150	6500	18000	8.5	3.82	3.79	6597	
07+07+09+18+18	2000	2000	3000	5500	5500	18000	4800	19000	4890	1150	6500	18000	8.7	3.82	3.68	6597	
07+07+09+18+24	2000	2000	2400	4800	6800	18000	4800	19000	4650	1150	6500	18000	8.3	3.82	3.87	6597	
07+07+09+18+28	2000	2000	2400	3800	7800	18000	4800	19000	4790	1150	6500	18000	8.6	3.82	3.76	6597	
07+07+12+12+18	2500	2500	3700	3700	5500	17900	4800	19000	4650	1150	6500	17900	8.3	3.82	3.85	6560	
07+07+12+12+24	2100	2100	3500	3500	6800	18000	4800	19000	4730	1150	6500	18000	8.5	3.82	3.81	6597	
07+07+12+12+28	2000	2000	3500	3500	7000	18000	4800	19000	4890	1150	6500	18000	8.7	3.82	3.68	6597	
07+07+12+18+18	2400	2400	3600	4800	4800	18000	4800	19000	4710	1150	6500	18000	8.4	3.82	3.82	6597	
07+07+12+18+24	2000	2000	3200	4200	6600	18000	4800	19000	4750	1150	6500	18000	8.5	3.82	3.79	6597	
07+07+12+18+28	2000	2000	3200	4200	6600	18000	4800	19000	4850	1150	6500	18000	8.7	3.82	3.71	6597	
07+09+09+09+18	2500	3000	3000	3000	5500	17000	4800	18500	4620	1150	6500	17000	8.3	3.89	3.68	6118	
07+09+09+09+24	2000	3000	3000	3000	7000	18000	4800	19000	4930	1150	6500	18000	8.8	3.82	3.65	6597	
07+09+09+09+28	2000	2800	2800	2800	7600	18000	4800	19000	4850	1150	6500	18000	8.7	3.82	3.71	6597	
07+09+09+12+18	2500	3000	3000	3700	5500	17700	4800	18500	4640	1150	6500	17700	8.3	3.83	3.81	6470	
07+09+09+12+24	2100	2700	2700	3700	6800	18000	4800	19000	4650	1150	6500	18000	8.3	3.82	3.87	6597	
07+09+09+12+28	2000	2600	2600	3200	7600	18000	4800	19000	4900	1150	6500	18000	8.8	3.82	3.67	6597	
07+09+09+18+18	2200	2700	2700	5200	5200	18000	4800	19000	4650	1150	6500	18000	8.3	3.82	3.87	6597	
07+09+09+18+24	2000	2500	2500	4200	6800	18000	4800	19000	4800	1150	6500	18000	8.6	3.82	3.75	6597	
07+09+09+18+28	2000	2300	2300	4200	7200	18000	4800	19000	4850	1150	6500	18000	8.7	3.82	3.71	6597	
07+09+12+12+18	2100	3000	3700	3700	5500	18000	4800	19000	4860	1150	6500	18000	8.7	3.82	3.70	6597	
07+09+12+12+24	2200	2600	3200	3200	6800	18000	4800	19000	4780	1150	6500	18000	8.5	3.82	3.77	6597	
07+09+12+12+28	2200	2600	3000	3000	7200	18000	4800	19000	4950	1150	6500	18000	8.9	3.82	3.64	6597	
07+12+12+12+18	2300	3500	3500	3500	5200	18000	4800	19000	4970	1150	6500	18000	8.9	3.82	3.62	6597	
07+12+12+12+24	2400	3000	3000	3000	6600	18000	4800	19000	4950	1150	6500	18000	8.9	3.82	3.64	6597	
07+12+12+12+28	2200	3000	3000	3000	6800	18000	4800	19000	4850	1150	6500	18000	8.7	3.82	3.71	6597	
09+09+09+09+18	3000	3000	3000	3000	5500	17500	4800	18500	5280	1150	6500	17500	9.4	3.91	3.31	6266	
09+09+09+09+24	2700	2700	2700	2700	7200	18000	4800	19000	5320	1350	6500	18000	10.1	3.82	3.31	6597	
09+09+09+09+28	2600	2600	2600	2600	7600	18000	4800	19000	5380	1350	6500	18000	10.3	3.82	3.35	6597	
09+09+09+12+18	3000	3000	3000	3700	5300	18000	4800	19000	5300	1350	6500	18000	10.0	3.82	3.40	6597	
09+09+09+12+24	2600	2600	2600	3500	6700	18000	4800	19000	5340	1350	6500	18000	10.2	3.82	3.37	6597	
09+09+09+12+28	2600	2600	2600	3000	7200	18000	4800	19000	5380	1350	6500	18000	10.3	3.82	3.35	6597	
09+09+09+18+18	2600	2600	2600	5100	5100	18000	4800	19000	5300	1350	6500	18000	10.0	3.82	3.40	6597	
09+09+09+18+24	2400	2400	2400	4200	6600	18000	4800	19000	5340	1350	6500	18000	10.2	3.82	3.37	6597	
09+09+09+18+28	2400	2400	2400	3800	7000	18000	4800	19000	5380	1350	6500	18000	10.3	3.82	3.35	6597	
09+09+12+12+18	2600	2600	3700	3700	5400	18000	4800	19000	5300	1350	6500	18000	10.0	3.82	3.40	6597	
09+09+12+12+24	2400	2400	3200	3200	6800	18000	4800	19000	5340	1350	6500	18000	10.2	3.82	3.37	6597	
09+09+12+12+28	2400	2400	3000	3000	7200	18000	4800	19000	5380	1350	6540	18000	10.3	3.82	3.35	6597	
09+12+12+12+18	2300	3500	3500	3500	5200	18000	4800	19000	5300	1350	6540	18000	10.0	3.82	3.40	6597	
09+12+12+12+24	2600	3000	3000	3000	6400	18000	4800	19000	5340	1350	6540	18000	10.2	3.82	3.37	6597	
09+12+12+12+28	2400	2800	2800	2800	7200	18000	4800	19000	5380	1350	6540	18000	10.3	3.82	3.35	6597	
12+12+12+12+18	3200	3200	3200	3200	5200	18000	4800	19000	5300	1350	6540	18000	10.0	3.82	3.40	6597	
12+12+12+12+24	3000	3000	3000	3000	6000	18000	4800	19000	5340	1350	6540	18000	10.2	3.82	3.37	6597	
12+12+12+12+28	2800	2800	2800	2800	6800	18000	4800	19000	5380	1350	6540	18000	10.3	3.82	3.35	6597	
12+12+12+18+18	3200	3200	3200	4200	4200	18000	4800	19000	5340	1350	6540	18000	10.2	3.82	3.37	6597	
12+12+12+18+24	2600	2600	2600	4000	6200	18000	4800	19000	5380	1350	6580	18000	10.3	3.82	3.35	6597	

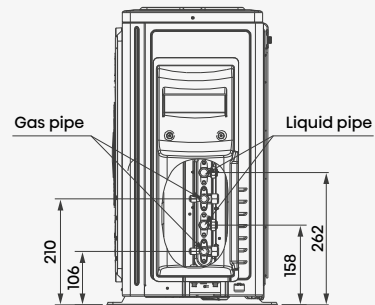
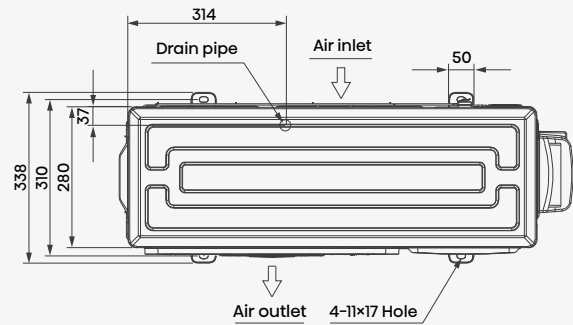
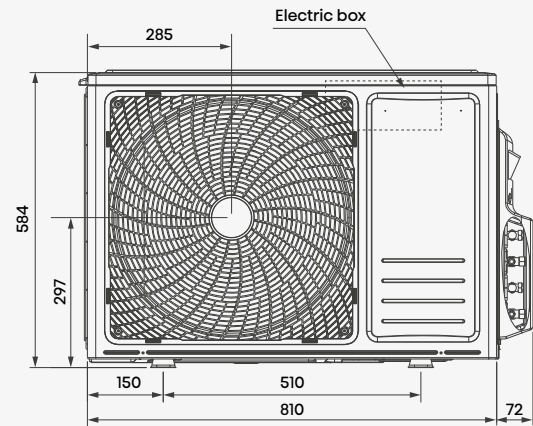
# TECHNICAL DRAWINGS

DETAILED  
TECHNICAL DRAWINGS

- 2AMW35U4RGC/AMW2-12U4RGC
- 2AMW42U4RGC/AMW2-14U4RGC

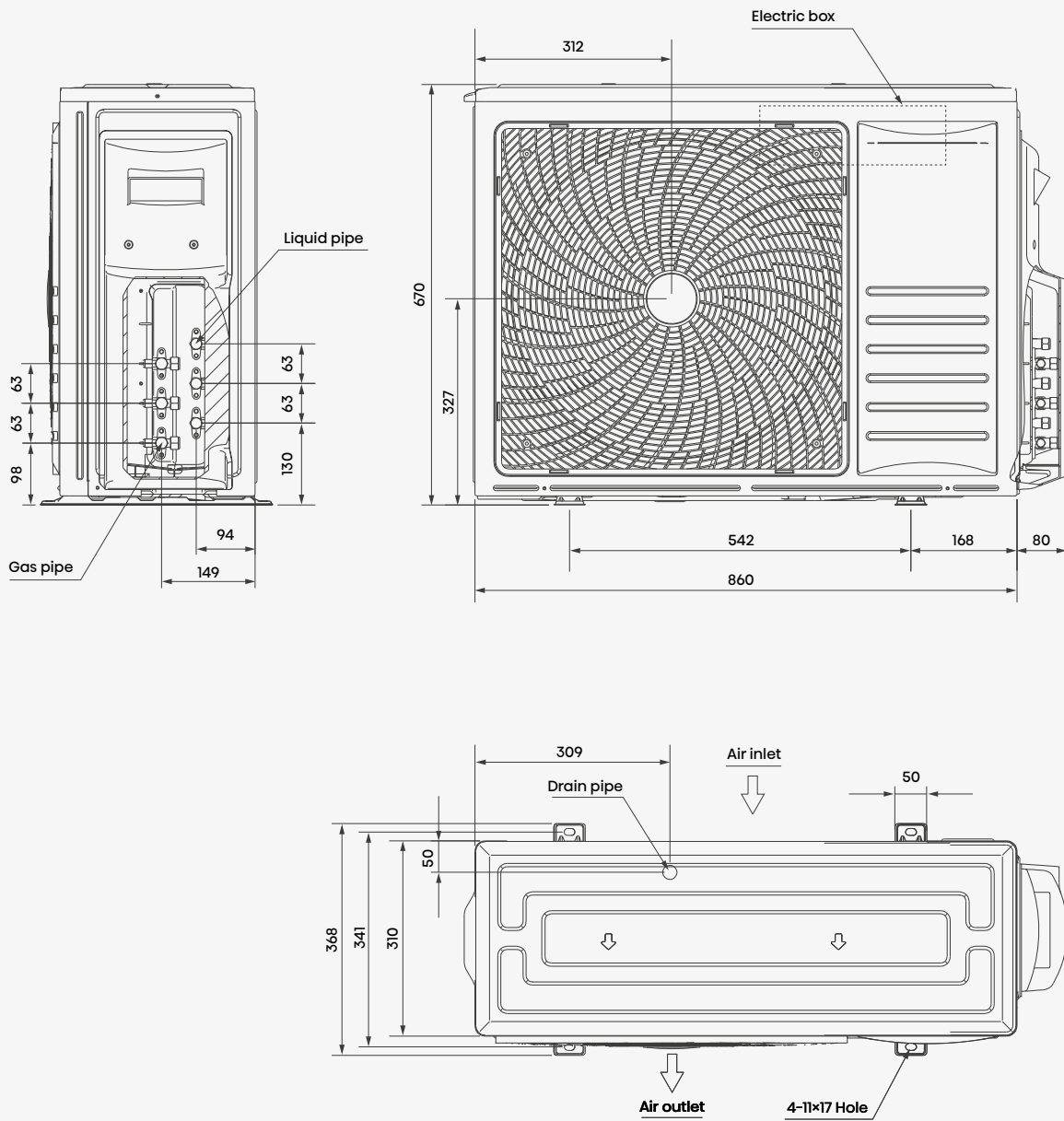


- 2AMW52U4RXC/AMW2-18U4RXC

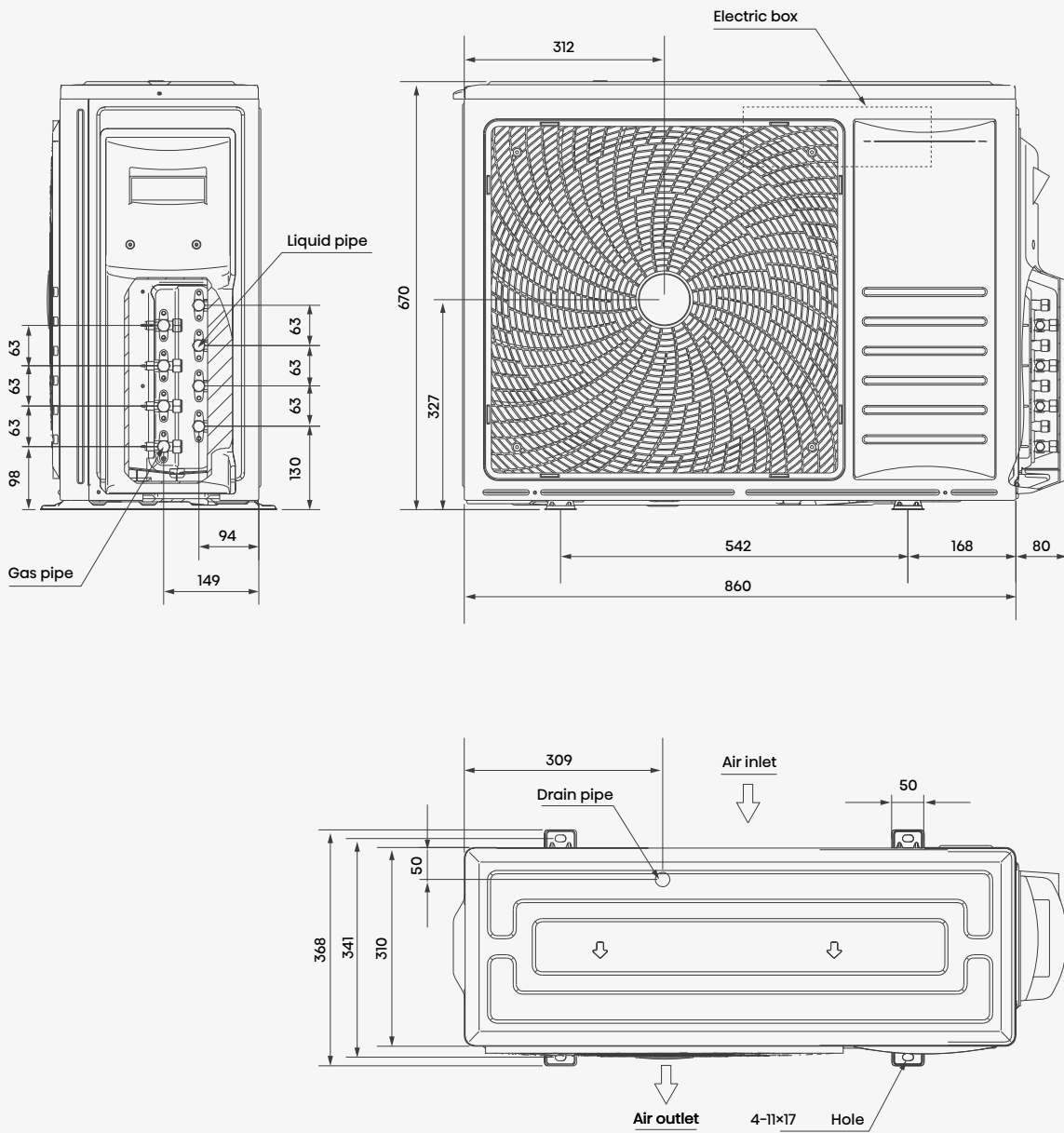


- 3AMW42U4RJC/AMW3-14U4RJC
- 3AMW62U4RJC/AMW3-21U4RJC

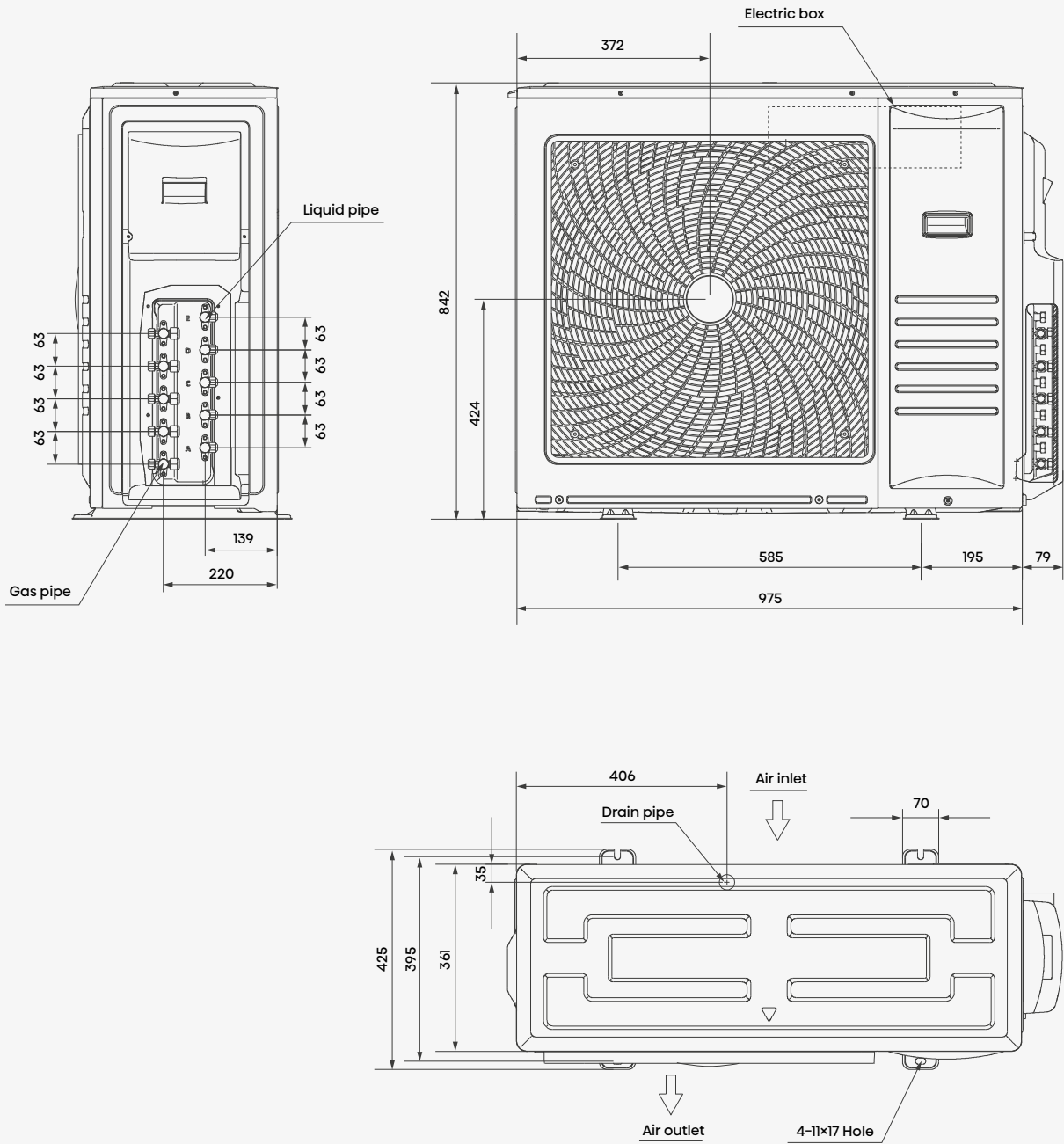
- 3AMW52U4RJC/AMW3-18U4RJC
- 3AMW72U4RJC/AMW3-24U4RJC



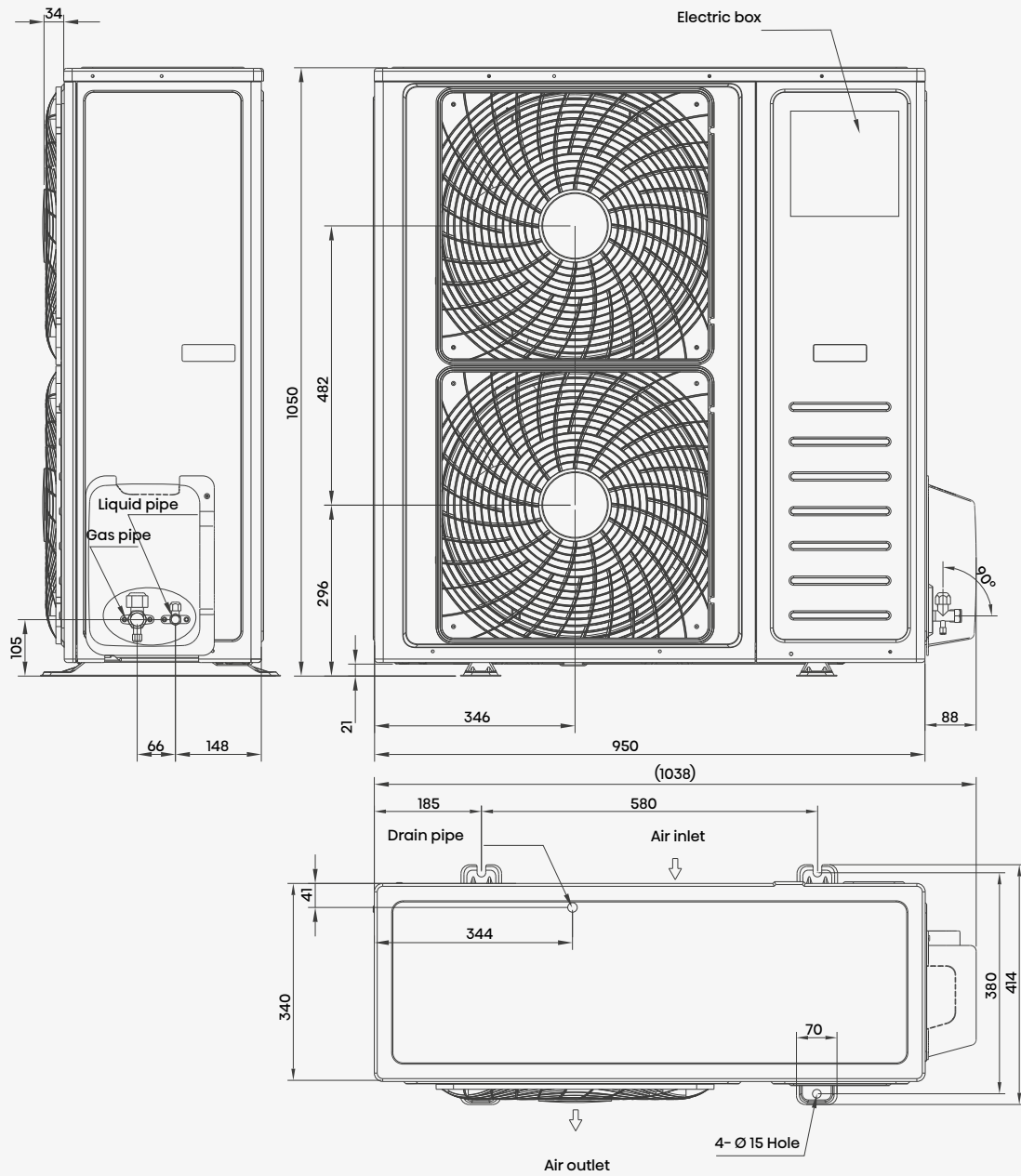
- 4AMW72U4RJC/AMW4-24U4RJC
- 4AMW81U4RJC/AMW4-27U4RJC



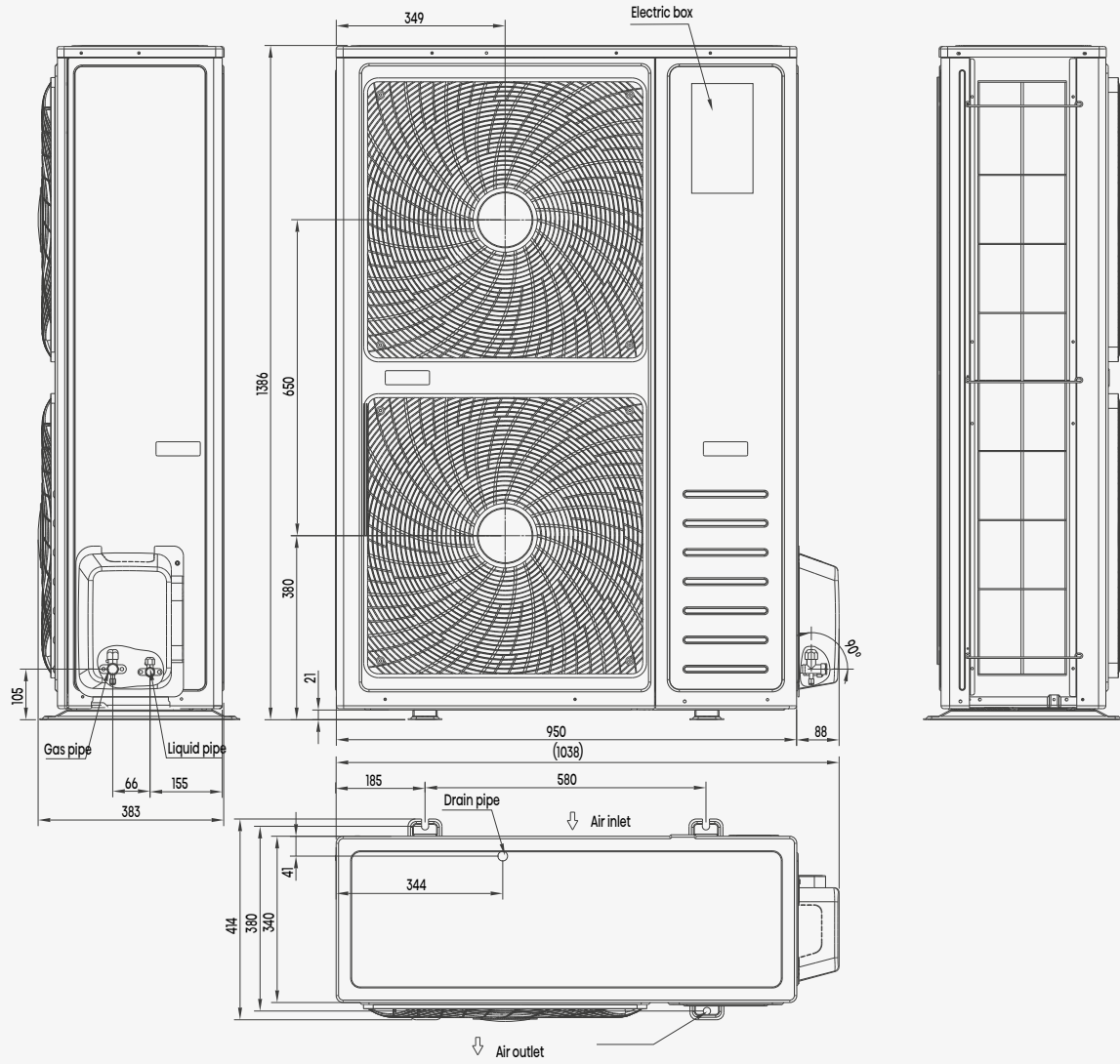
■ 5AMW105U4RQC/AMW5-36U4RQC



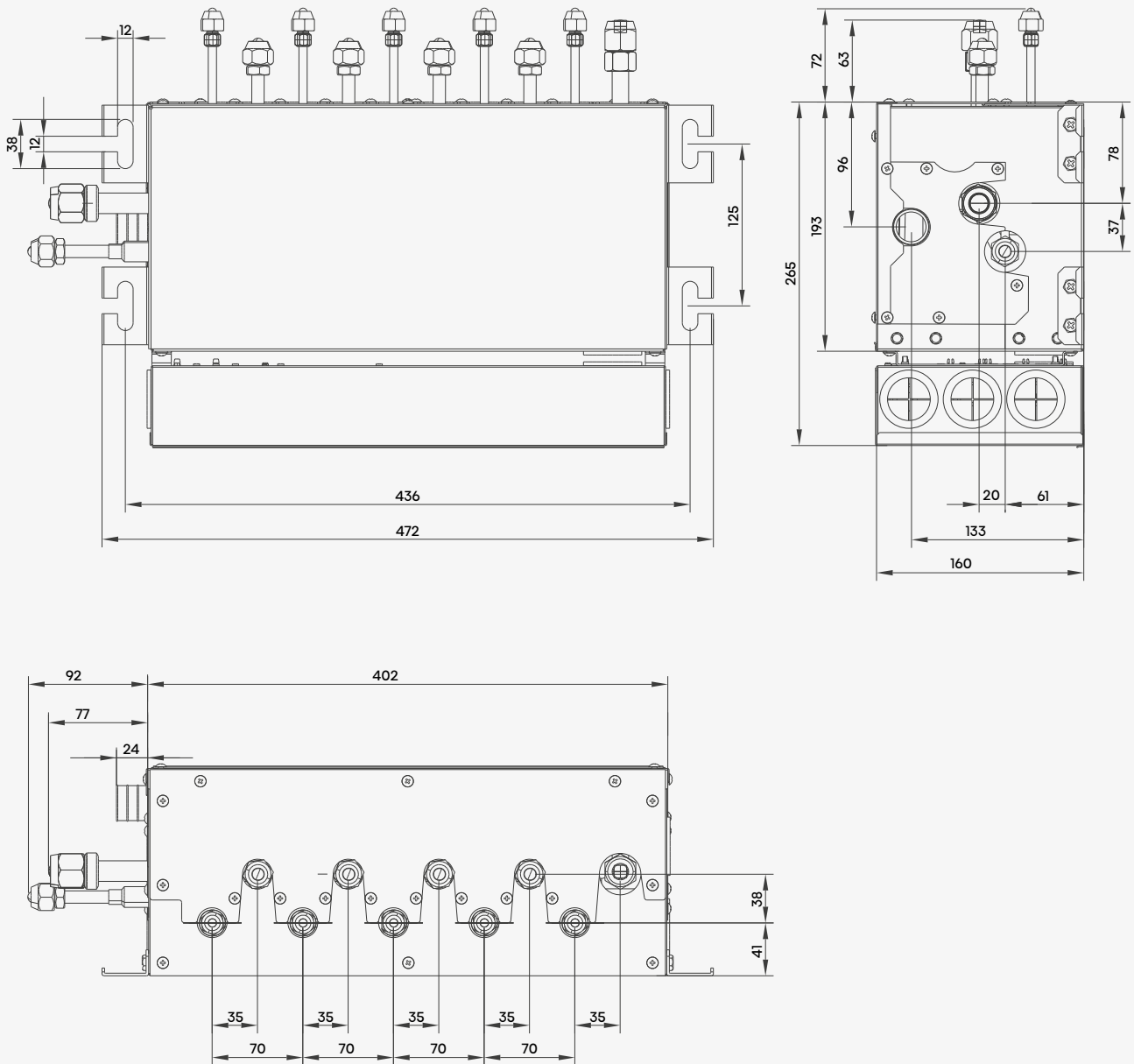
■ AMW125U4SE/AMW-42U4SE



- AMW140U6SP/AMW-48U6SP
- AMW160U6SP/AMW-60U6SP



■ F15(E)



# ORDERING CODES

Series	Type	Factory model name	EU model name	EAN code	Ordering Code
<b>Multi-Split Outdoor unit</b>	Outdoor unit	AMW2-12U4RGC	2AMW35U4RGC	6926597710167	20009600
	Outdoor unit	AMW2-14U4RGC	2AMW42U4RGC	6926597710174	20009681
	Outdoor unit	AMW2-18U4RXC	2AMW52U4RXC	6926597710181	20009682
	Outdoor unit	AMW3-14U4RJC	3AMW42U4RJC	6926597730691	20013004
	Outdoor unit	AMW3-18U4RJC	3AMW52U4RJC	6926597730707	20013001
	Outdoor unit	AMW3-21U4RJC	3AMW62U4RJC	6926597710198	20009683
	Outdoor unit	AMW3-24U4RJC	3AMW72U4RJC	6926597710204	20009684
	Outdoor unit	AMW4-24U4RJC	4AMW72U4RJC	6926597723297	20011324
	Outdoor unit	AMW4-27U4RJC	4AMW81U4RJC	6926597726823	20011325
	Outdoor unit	AMW5-36U4RQC	5AMW105U4RQC	6926597730721	20013006
<b>Compact Cassette 600x600</b>	Indoor unit LCAC	ACT-09UR4RCC8	ACT26UR4RCC8	6926597724478	20011337
	Indoor unit LCAC	ACT-12UR4RCC8	ACT35UR4RCC8	6926597723396	20011270
	Indoor unit LCAC	ACT-14UR4RCC8	ACT40UR4RCC8	6926597717401	20011271
	Indoor unit LCAC	ACT-18UR4RCC8	ACT52UR4RCC8	6926597712253	20011021
	Indoor unit LCAC	PE-QEA/LD	PE-QEA-LD	6926597710433	20009689
<b>Cassette 900x900</b>	Indoor unit LCAC	AUC-14UR4RJC8	ACT40UR4RJC8	6926597711065	20011168
	Indoor unit LCAC	AUC-18UR4RJC8	ACT52UR4RJC8	6926597712895	20011274
	Indoor unit LCAC	ACT-21UR4RJC8	ACT60UR4RJC8	6926597708805	20011275
	Indoor unit LCAC	ACT-24UR4RJC8	ACT71UR4RJC8	6926597711775	20010429
<b>Slim Duct 0-50Pa</b>	Indoor unit LCAC	ADT-09UX4RBL8	ADT26UX4RBL8	6926597724485	20011339
	Indoor unit LCAC	ADT-12UX4RBL8	ADT35UX4RBL8	6926597726434	20011300
	3D Panel (9K&12K)	PE-FBA-C	PE-FBA-C	6926597740300	20012981
	Indoor unit LCAC	ADT-14UX4RCL8	ADT40UX4RCL8	6926597720142	20011340
	Indoor unit LCAC	ADT-18UX4RCL8	ADT52UX4RCL8	6926597720913	20011121
	Indoor unit LCAC	ADT-24UX4RCL8	ADT71UX4RCL8	6926597739311	20013122
	3D Panel (14K-24K)	PE-FCA-C	PE-FCA-C	6926597740317	20012982
<b>MSP Duct 0-150Pa</b>	Indoor unit LCAC	ADT-14UX4RGM8	ADT40UX4RGM8	6926597739328	20015288
	Indoor unit LCAC	ADT-18UX4RGM8	ADT52UX4RGM8	6926597739335	20015287
	Indoor unit LCAC	ADT-21UX4RFM8	ADT60UX4RFM8	6926597784465	20017781
	Indoor unit LCAC	ADT-24UX4RFM8	ADT71UX4RFM8	6926597784472	20017782
<b>Ceiling Suspended</b>	Indoor unit LCAC	AVT-21UR4RB8	AVT60UR4RB8	6926597723648	20011344
	Indoor unit LCAC	AVT-24UR4RB8	AVT71UR4RB8	6926597726526	20011306
<b>Console</b>	Indoor unit LCAC	AKT-09UR4RK8	AKT26UR4RK8	6926597726809	20011422
	Indoor unit LCAC	AKT-12UR4RK8	AKT35UR4RK8	6926597723402	20011423
	Indoor unit LCAC	AKT-14UR4RK8	AKT40UR4RK8	6926597720135	20011195
	Indoor unit LCAC	AKT-18UR4RK8	AKT52UR4RK8	6926597721026	20011255
<b>Air Master</b>	Indoor unit RAC	AST-09UW4RWMQK00	QK25WM0AG	6926597789545	20018636
	Indoor unit RAC	AST-12UW4RWMQK00	QK35WM0AG	6926597789576	20018637
	Indoor unit RAC	AST-18UW4RFMQK00	QK50FM0AG	6926597789606	20018638
	Indoor unit RAC	AST-09UW4RWMQK00	QK25WM0BG	6926597790305	20018639
	Indoor unit RAC	AST-12UW4RWMQK00	QK35WM0BG	6926597790329	20018640
	Indoor unit RAC	AST-18UW4RFMQK00	QK50FM0BG	6926597790343	20018641
<b>Fresh Air</b>	Indoor unit RAC	+AST-09UW4RXJQJ03	QJ25XJ3AG	6926597759302	20015456
	Indoor unit RAC	+AST-12UW4RXJQJ03	QJ35XJ3AG	6926597759319	20015457
	Indoor unit RAC	+AST-09UW4RXJQJ03	QJ25XJ3GG	6926597759326	20015468
	Indoor unit RAC	+AST-12UW4RXJQJ03	QJ35XJ3GG	6926597759333	20015469
	Indoor unit RAC	+AST-09UW4RXJQJ03	QJ25XJ3BG	6926597759340	20015470
	Indoor unit RAC	+AST-12UW4RXJQJ03	QJ35XJ3BG	6926597759357	20015471
<b>Energy Pro X</b>	Indoor unit RAC	+AST-09UW4RXVQH00B	QH25XV4AG	6926597759364	20015472
	Indoor unit RAC	+AST-12UW4RXVQH00B	QH35XV4AG	6926597759371	20015473
	Indoor unit RAC	+AST-18UW4RBVQH00	QH50BV0AG	6926597761534	20015474
	Indoor unit RAC	+AST-09UW4RXVQH00B	QH25XV4BG	6926597759388	20015475
	Indoor unit RAC	+AST-12UW4RXVQH00B	QH35XV4BG	6926597759395	20015476
	Indoor unit RAC	+AST-18UW4RBVQH00	QH50BV0BG	6926597761565	20015477

# ORDERING CODES

Series	Type	Factory model name	EU model name	EAN code	Ordering Code
<b>Uni HB (Black)</b>	Indoor unit RAC	+AST-09UW4RXUHB00	HB25XU0BG	6926597759425	20015481
	Indoor unit RAC	+AST-12UW4RXUHB00	HB35XU0BG	6926597759432	20015482
	Indoor unit RAC	+AST-18UW4RBPHB00	HB50BP0BG	6926597759449	20015483
	Indoor unit RAC	+AST-24UW4RKWHB00	HB70KW0BG	6926597761589	20015484
<b>Uni HB (White)</b>	Indoor unit RAC	+AST-09UW4RXUHB00	HB25XU0AG	6926597759456	20015485
	Indoor unit RAC	+AST-12UW4RXUHB00	HB35XU0AG	6926597759463	20015486
	Indoor unit RAC	+AST-18UW4RBPHB00	HB50BP0AG	6926597759470	20015487
	Indoor unit RAC	+AST-24UW4RKWHB00	HB70KW0AG	6926597761619	20015488
<b>Uni HA</b>	Indoor unit RAC	+AST-09UW4RXUHA00	HA25XU00G	6926597759883	20015489
	Indoor unit RAC	+AST-12UW4RXUHA00	HA35XU00G	6926597759487	20015490
	Indoor unit RAC	+AST-18UW4RBPHA00	HA50BP00G	6926597759494	20015491
	Indoor unit RAC	+AST-24UW4RKWHA00	HA70KW00G	6926597761626	20015492
<b>Max Comfort</b>	Indoor unit RAC	AST-07UW4RLCHC00	HC20LC00G	6926597782256	20017816
	Indoor unit RAC	AST-09UW4RYCHC00	HC25YC00G	6926597783185	20017817
	Indoor unit RAC	AST-12UW4RWUHC00	HC35WU00G	6926597782270	20017828
	Indoor unit RAC	AST-18UW4RXPHC00	HC50XP00G	6926597782294	20017829
	Indoor unit RAC	AST-24UW4RFWHC00	HC70FW00G	6926597782317	20017830
<b>Ultra Comfort</b>	Indoor unit RAC	+AST-09UW4RYRKE04B	KE25YR4BG	6926597761633	20015493
	Indoor unit RAC	+AST-12UW4RMRKE00B	KE35MR0BG	6926597759500	20015494
	Indoor unit RAC	+AST-18UW4RXSKE01G	KE50XSIGG	6926597759517	20015495
	Indoor unit RAC	+AST-24UW4RBTKE02B	KE70BT2BG	6926597759524	20015496
<b>Expert Comfort</b>	Indoor unit RAC	+AST-09UW4RYRKF04B	KF25YR4BG	6926597761664	20015497
	Indoor unit RAC	+AST-12UW4RMRKF00B	KF35MR0BG	6926597759531	20015498
	Indoor unit RAC	+AST-18UW4RXSKF01G	KF50XSIGG	6926597759548	20015499
	Indoor unit RAC	+AST-24UW4RBTKF02B	KF70BT2BG	6926597759555	20015500
<b>Wings Comfort</b>	Indoor unit RAC	+AST-09UW4RYRKB04B	KB25YR4BG	6926597761671	20015501
	Indoor unit RAC	+AST-12UW4RMRKB00B	KB35MR0BG	6926597759562	20015502
	Indoor unit RAC	+AST-18UW4RXSKB01G	KB50XSIGG	6926597759579	20015503
	Indoor unit RAC	+AST-24UW4RBTKB02B	KB70BT2BG	6926597759586	20015504
<b>Hi-Smart</b>	Indoor unit RAC	+AST-09UW4RYRCF04B	CF25YR4BG	6926597762111	20015731
	Indoor unit RAC	+AST-12UW4RLRCF03	CF35LR03G	6926597761725	20015506
	Indoor unit RAC	+AST-18UW4RXSCF01G	CF50XSIGG	6926597759593	20015507
	Indoor unit RAC	+AST-24UW4RBTCF02B	CF70BT2BG	6926597759609	20015508
<b>Easy Smart</b>	Indoor unit RAC	+AST-09UW4RYRCA04B	CA25YR4BG	6926597762760	20015734
	Indoor unit RAC	+AST-12UW4RLRCA03	CA35LR03G	6926597761732	20015510
	Indoor unit RAC	+AST-18UW4RXSCA01G	CA50XSIGG	6926597759616	20015511
	Indoor unit RAC	+AST-24UW4RBTCA02B	CA70BT2BG	6926597759623	20015512

**Hisense HVAC**  
Reimagine your solution



---

Hisense International Co., Ltd.

Add: Hisense International Center, No. 88 Xianggang East Road, Qingdao, China  
E-mail: [marketing@hisense.com](mailto:marketing@hisense.com)  
Website: <http://www.hisense.cn/en>

Add: 08 Ronggang Road, Ronggui, Shunde, Guangdong, China.  
E-mail: [marketing@hisense.com](mailto:marketing@hisense.com)  
Website: <http://www.hisense.cn/en>

Note: Product design and specification subject to change without prior notice.  
© 2026 Hisense Corporation. All rights reserved. Hisense and the Hisense logo are trademarks or registered trademarks of Hisense Group in China and/or other countries. All rights reserved. The Hisense Smart TV logo, Ultra HD High Definition logo, SMR logo and life reimagined logo are trademarks or registered trademarks of Hisense Electric Co., Ltd. in China and/or other countries. All rights reserved. All other company names, brand names, trademarks and logos are the property of their respective owners. All rights reserved.